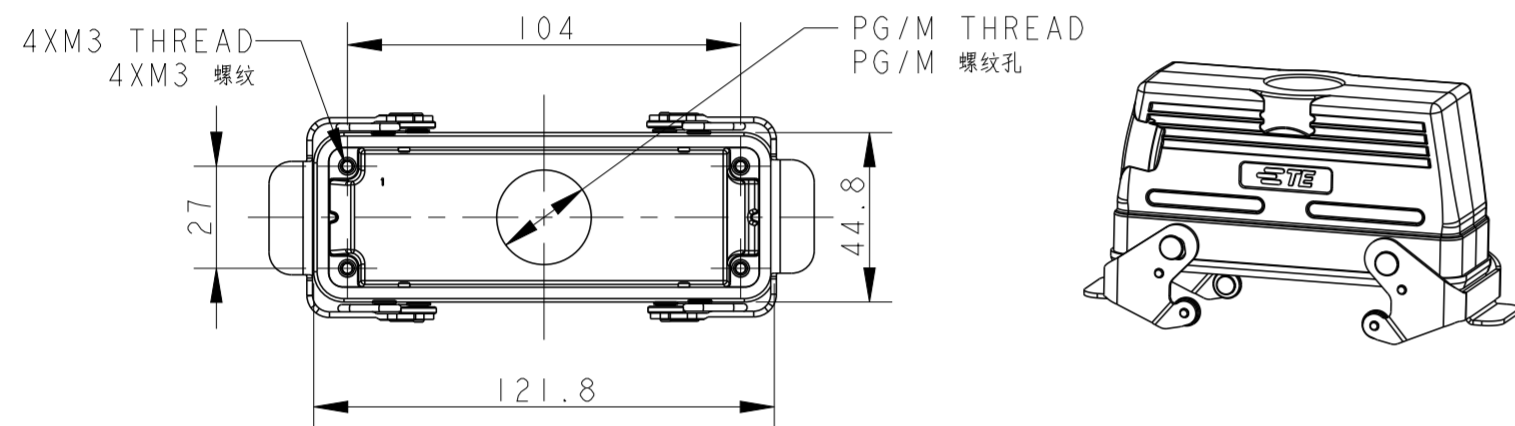
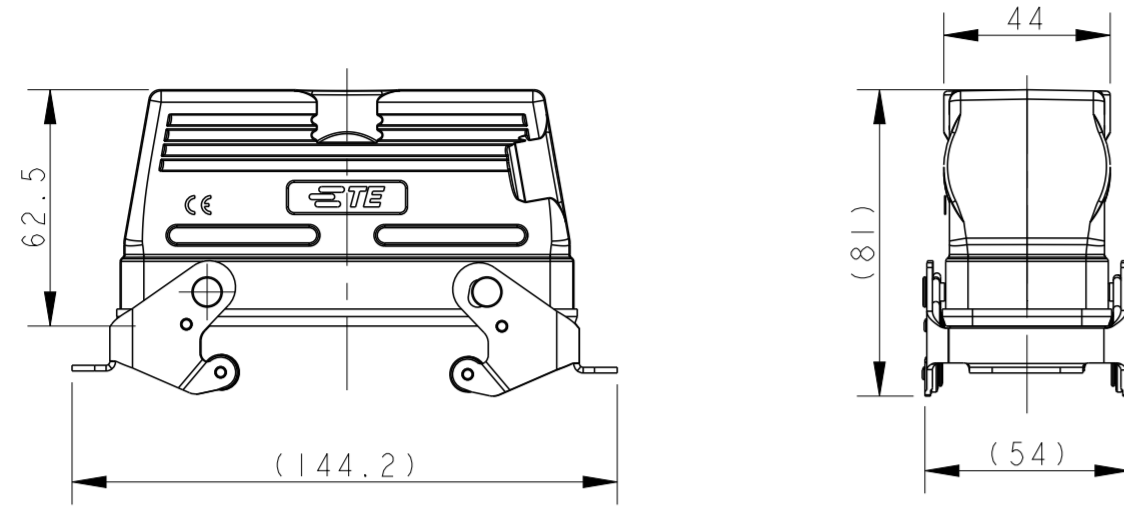
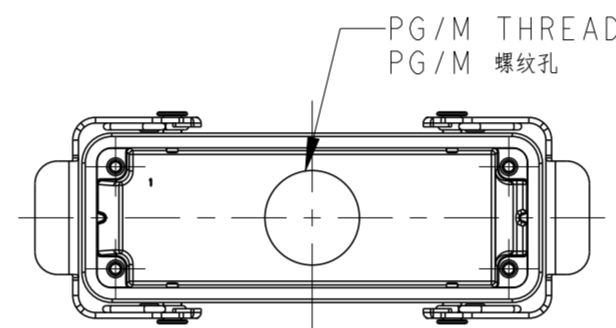
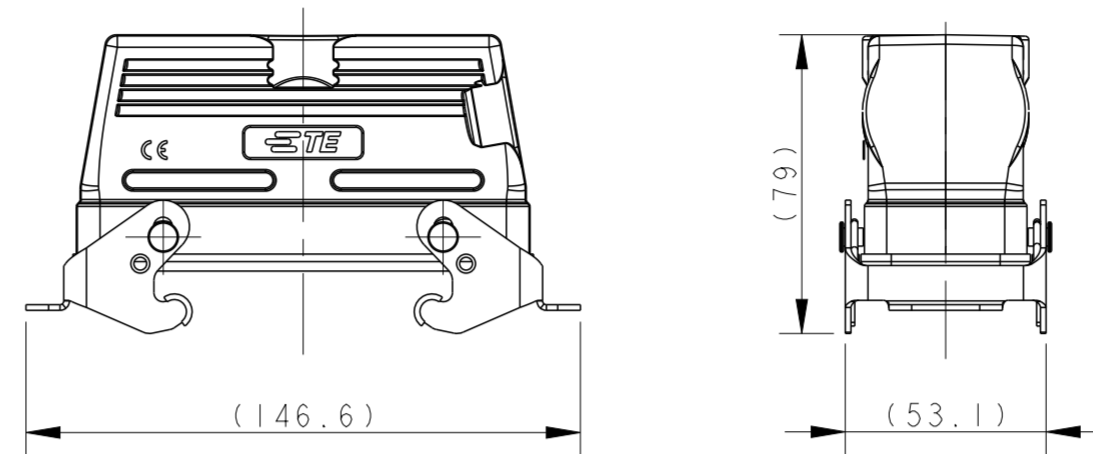


THIS DRAWING IS UNPUBLISHED. RELEASED FOR PUBLICATION 20
 © COPYRIGHT 20 BY - ALL RIGHTS RESERVED.

TYPE 1: LOW CONSTRUCTION + STAINLESS STEEL DOUBLE LOCKING
 类型1: 低结构壳体+不锈钢双扣



TYPE 2: LOW CONSTRUCTION + METAL DOUBLE LOCKING
 OTHER SPEC REFER TO TYPE 1
 类型2: 低结构壳体+彩锌双扣, 其他规格参照类型1



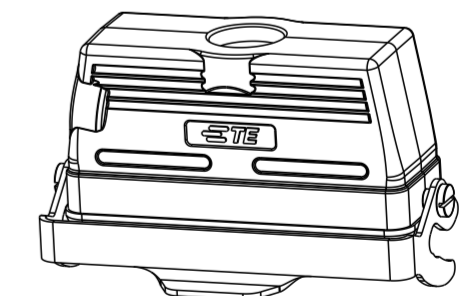
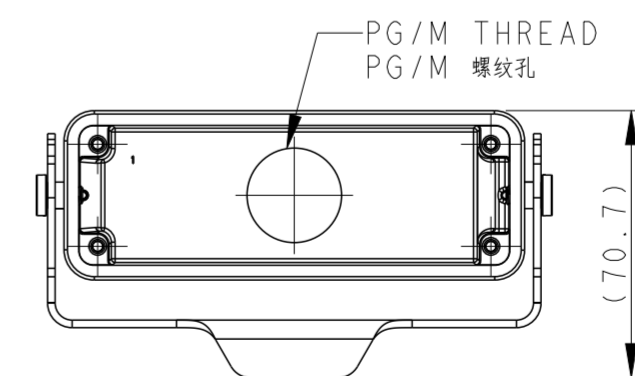
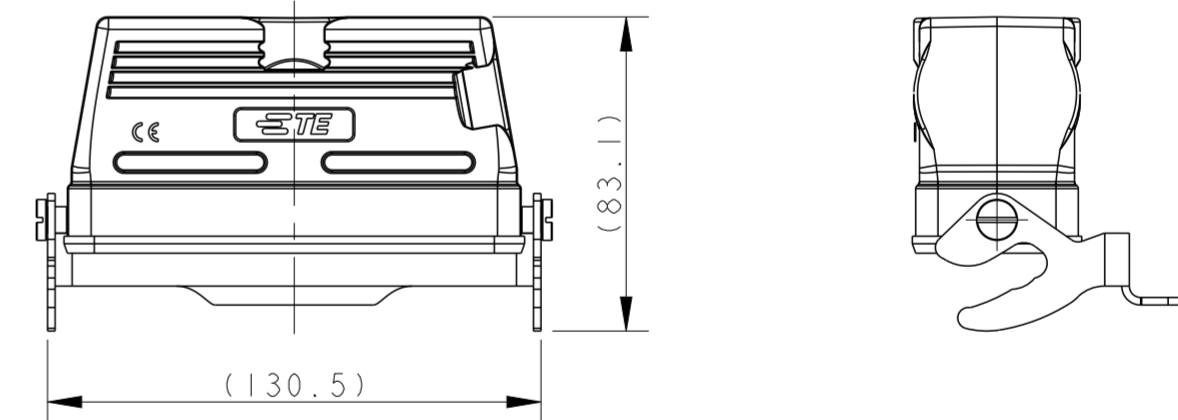
REVISIONS

| P | LTR | DESCRIPTION | DATE | DWN | APVD |
|----|-----|-----------------|-----------|-----|------|
| A | | INITIAL RELEASE | 03JUL2015 | DL | CW |
| A1 | | ECR-16-013642 | 09MAY2017 | BS | CW |
| B | | ECR-20-014876 | 27JUL2021 | WOR | CW |
| B1 | | ECR-22-137196 | 28APR2022 | QY | CW |

NOTES:
 1. TECHNICAL CHARACTERISTICS:
 BODY MATERIAL: DIE CAST ALUMINIUM ALLOY
 SURFACE TREATMENT: POWDER COATED, GREY
 DEGREE OF PROTECTION: IP65 (MATED)

注释:
 1. 技术参数:
 主体材料: 铝合金
 表面处理: 灰色粉末喷涂
 防护等级: IP65(配合)

TYPE 3: LOW CONSTRUCTION + METAL SINGLE LOCKING
 OTHER SPEC REFER TO TYPE 1
 类型3: 低结构壳体+彩锌单扣, 其他规格参照类型1

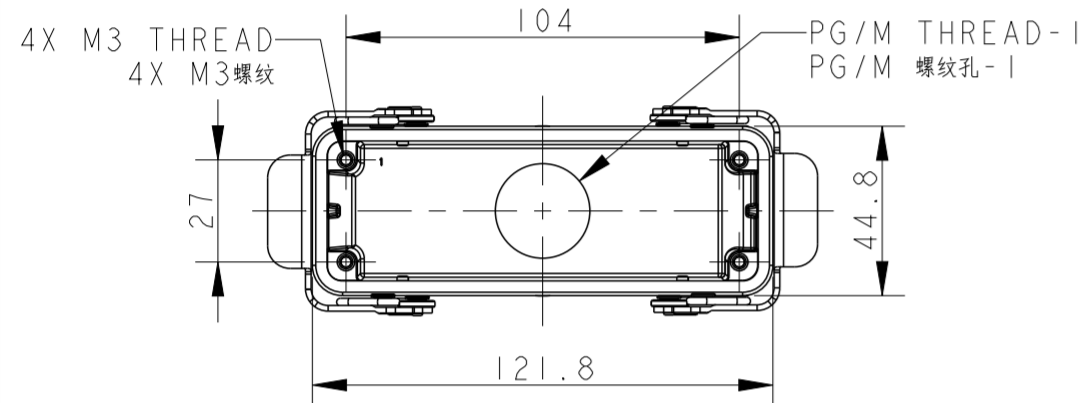
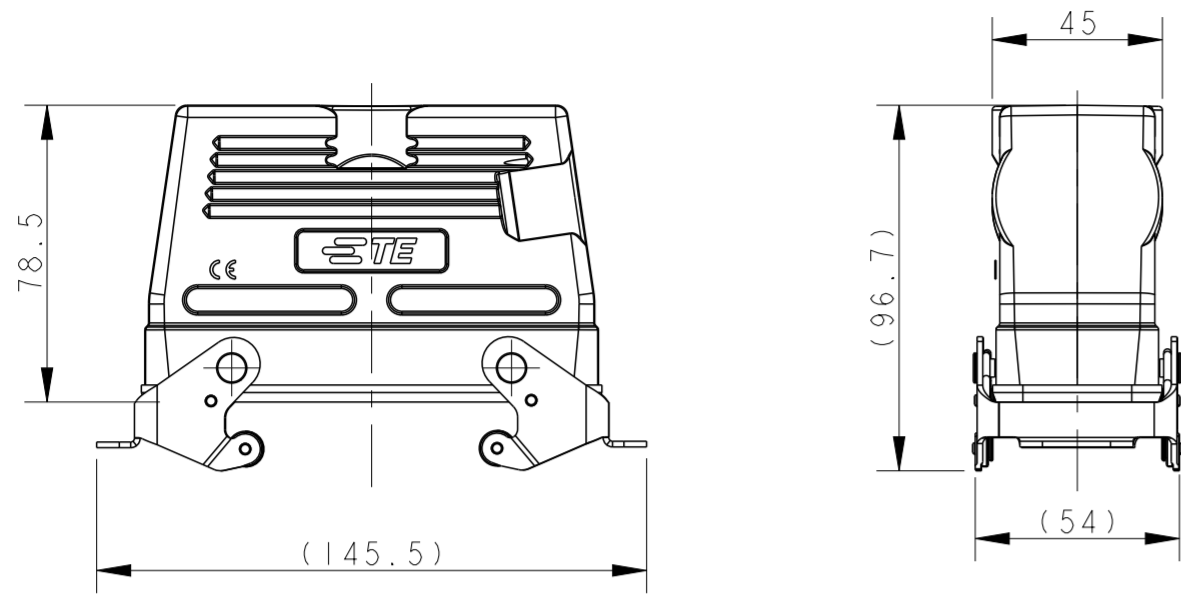


| PART NUMBER | PART DESCRIPTION | PG/M THREAD | TYPE |
|-----------------|---|-------------|----------------|
| 料号 | 描述 | PG/M 螺纹孔 | 类型 |
| T1710241121-000 | H24B HOUSING, CABLE-TO-CABLE, STAINLESS STEEL DOUBEL LOCKING, TOP ENTRY PG21, LOW CONSTRUCTION, POWDER COATED, GRAY H24B下壳, 电缆对接, 不锈钢双扣, 顶出PG21, 低结构, 灰色粉末喷涂 | PG21 | TYPE 1 类型 1 |
| T1710241125-000 | H24B HOUSING, CABLE-TO-CABLE, STAINLESS STEEL DOUBEL LOCKING, TOP ENTRY M25, LOW CONSTRUCTION, POWDER COATED, GRAY H24B下壳, 电缆对接, 不锈钢双扣, 顶出M25, 低结构, 灰色粉末喷涂 | M25 | |
| T1710241132-000 | H24B HOUSING, CABLE-TO-CABLE, STAINLESS STEEL DOUBEL LOCKING, TOP ENTRY M32, LOW CONSTRUCTION, POWDER COATED, GRAY H24B下壳, 电缆对接, 不锈钢双扣, 顶出M32, 低结构, 灰色粉末喷涂 | M32 | |
| T1710241132-100 | H24B HOUSING, CABLE-TO-CABLE, STAINLESS STEEL DOUBEL LOCKING, TOP ENTRY M32, LOW CONSTRUCTION, NO LOGO, POWDER COATED, GRAY H24B下壳, 电缆对接, 不锈钢双扣, 顶出M32, 低结构, 无标志, 灰色粉末喷涂 | M32 | |
| T1710242121-000 | H24B HOUSING, CABLE-TO-CABLE, METAL DOUBLE LOCKING, TOP ENTRY PG21, LOW CONSTRUCTION, POWDER COATED, GRAY H24B下壳, 电缆对接, 彩锌双扣, 顶出PG21, 低结构, 灰色粉末喷涂 | PG21 | TYPE 2 类型 2 |
| T1710242125-000 | H24B HOUSING, CABLE-TO-CABLE, METAL DOUBLE LOCKING, TOP ENTRY M25, LOW CONSTRUCTION, POWDER COATED, GRAY H24B下壳, 电缆对接, 彩锌双扣, 顶出M25, 低结构, 灰色粉末喷涂 | M25 | |
| T1710242129-000 | H24B HOUSING, CABLE-TO-CABLE, METAL DOUBLE LOCKING, TOP ENTRY PG29, LOW CONSTRUCTION, POWDER COATED, GRAY H24B下壳, 电缆对接, 彩锌双扣, 顶出PG29, 低结构, 灰色粉末喷涂 | PG29 | |
| T1710242132-000 | H24B HOUSING, CABLE-TO-CABLE, METAL DOUBLE LOCKING, TOP ENTRY M32, LOW CONSTRUCTION, POWDER COATED, GRAY H24B下壳, 电缆对接, 彩锌双扣, 顶出M32, 低结构, 灰色粉末喷涂 | M32 | |
| T1710242134-000 | H24B HOUSING, CABLE-TO-CABLE, METAL DOUBLE LOCKING, TOP ENTRY G3/4, LOW CONSTRUCTION, POWDER COATED, GRAY H24B下壳, 电缆对接, 彩锌双扣, 顶出G3/4, 低结构, 灰色粉末喷涂 | G3/4 | |
| T1730242121-000 | H24B HOUSING, CABLE-TO-CABLE, METAL SINGLE LOCKING, TOP ENTRY PG21, LOW CONSTRUCTION, POWDER COATED, GRAY H24B下壳, 电缆对接, 彩锌单扣, 顶出PG21, 低结构, 灰色粉末喷涂 | PG21 | TYPE 3 类型 3 |
| T1730242125-000 | H24B HOUSING, CABLE-TO-CABLE, METAL SINGLE LOCKING, TOP ENTRY M25, LOW CONSTRUCTION, POWDER COATED, GRAY H24B下壳, 电缆对接, 彩锌单扣, 顶出M25, 低结构, 灰色粉末喷涂 | M25 | |
| T1730242132-000 | H24B HOUSING, CABLE-TO-CABLE, METAL SINGLE LOCKING, TOP ENTRY M32, LOW CONSTRUCTION, POWDER COATED, GRAY H24B下壳, 电缆对接, 彩锌单扣, 顶出M32, 低结构, 灰色粉末喷涂 | M32 | |

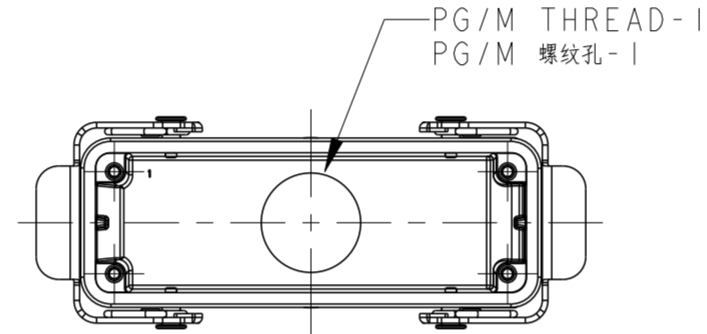
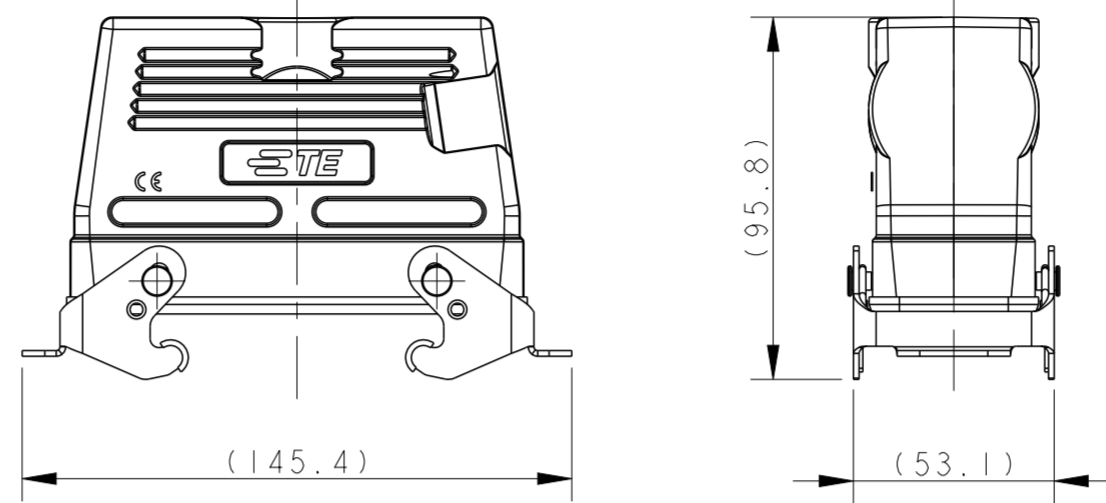
| | | | | |
|--|--|--------------------------|--------------------------------|--|
| THIS DRAWING IS A CONTROLLED DOCUMENT. | | DWN DAVID LI 03JUL2015 | TE Connectivity | |
| DIMENSIONS: mm | | CHK CHRIS WANG 03JUL2015 | | |
| TOLERANCES UNLESS OTHERWISE SPECIFIED: | | APVD XU XIANG 03JUL2015 | NAME H24B-TBFS/TBF-LB/TBF-PG/M | |
| 0 PLC ± | | PRODUCT SPEC | SIZE A2 | |
| 1 PLC ± | | 108-137013 | CAGE CODE - | |
| 2 PLC ± | | APPLICATION SPEC | DRAWING NO G-T17X024XXXX000 | |
| 3 PLC ± | | 114-137013 | RESTRICTED TO | |
| 4 PLC ± | | WEIGHT - | SCALE 1:2 | |
| ANGLES ± | | CUSTOMER DRAWING | SHEET 1 OF 3 | |
| FINISH - | | | REV B1 | |

THIS DRAWING IS UNPUBLISHED. RELEASED FOR PUBLICATION 20
 © COPYRIGHT 20 BY - ALL RIGHTS RESERVED.

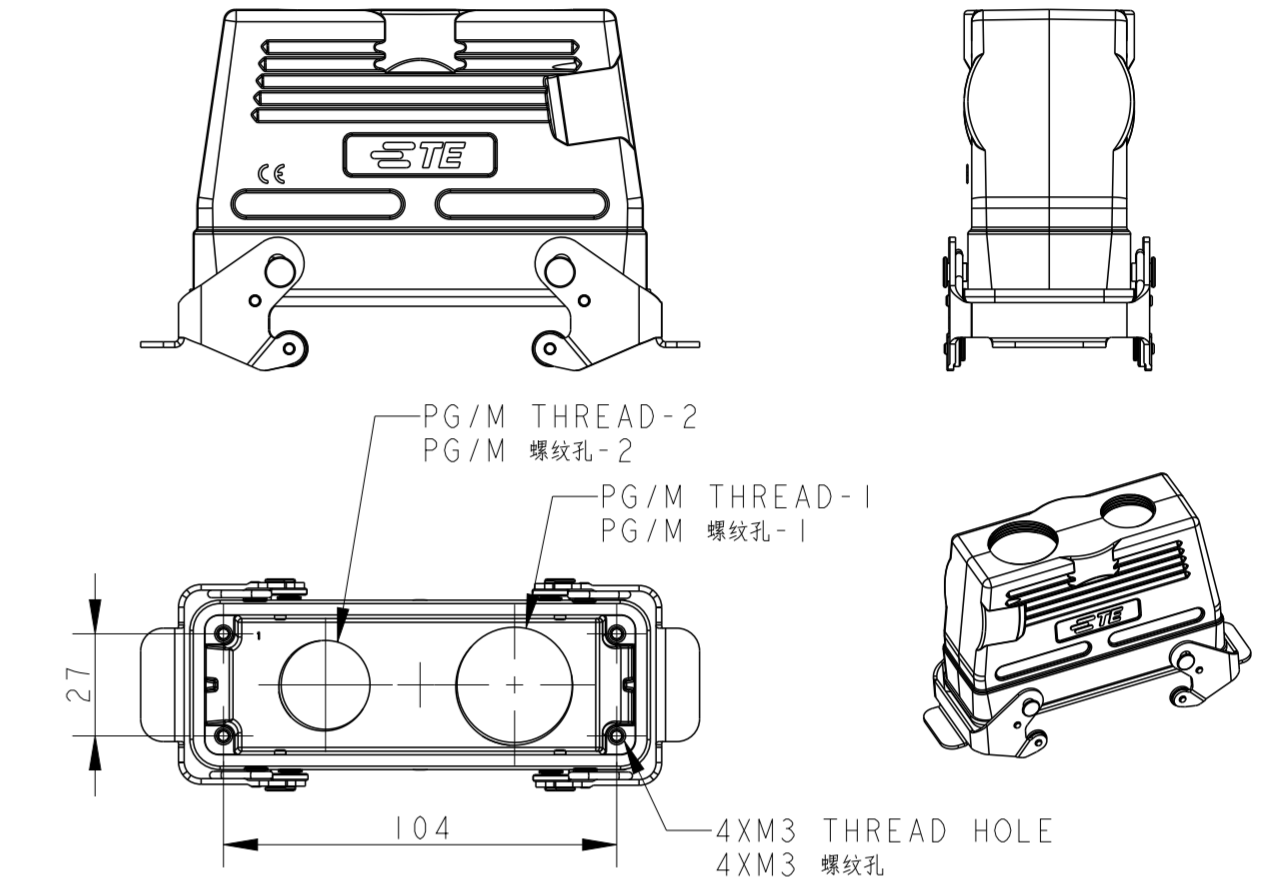
TYPE 4: HIGH CONSTRUCTION + STAINLESS STEEL DOUBLE LOCKING
 类型4: 高结构壳体+不锈钢双扣



TYPE 5: HIGH CONSTRUCTION + METAL DOUBLE LOCKING
 OTHER SPEC REFER TO TYPE 4
 类型5: 高结构壳体+彩锌双扣, 其他规格参照类型4

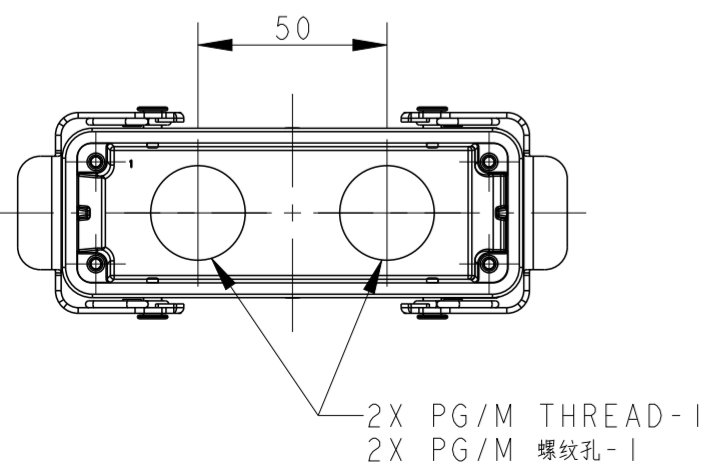
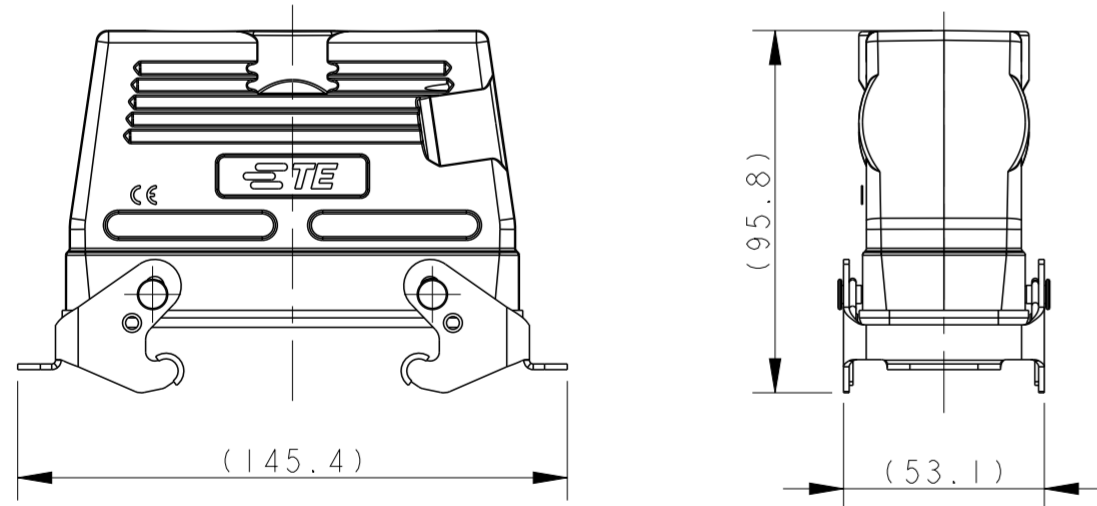


TYPE 8: HIGH CONSTRUCTION + STAINLESS STEEL DOUBLE LOCKING + TOP ENTRY+2 HOLE, OTHER SPEC REFER TO TYPE 4
 类型8: 高结构壳体+不锈钢双扣+顶出+2个进线孔, 其他规格参照类型4

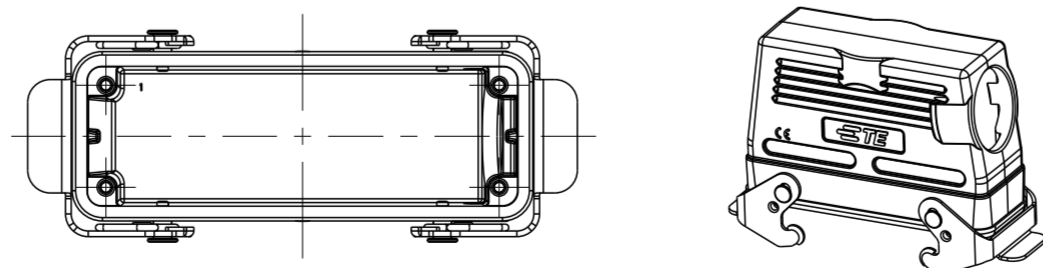
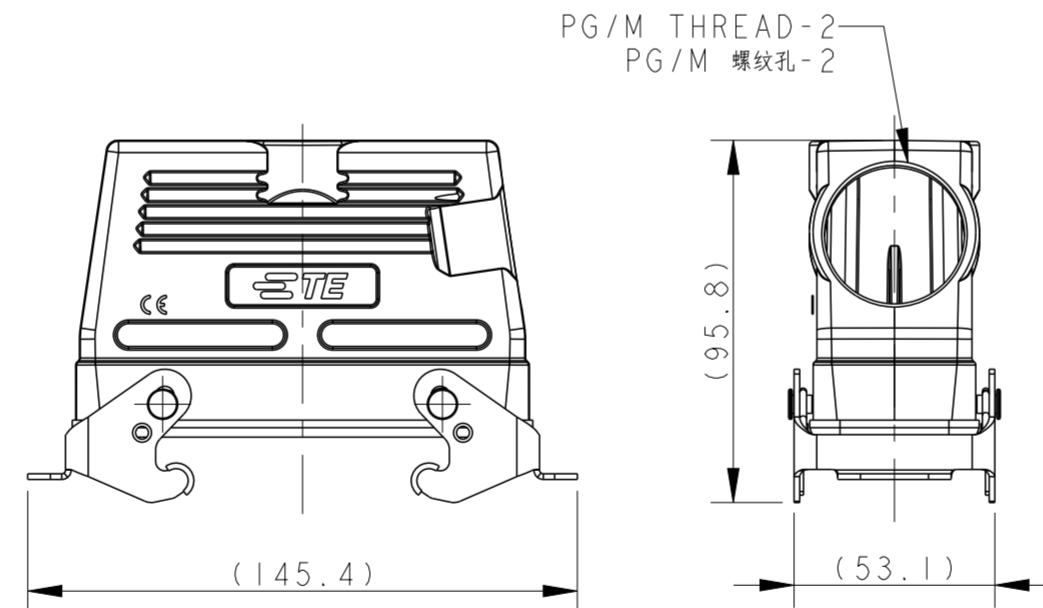


NOTE:
SEE SHEET 1

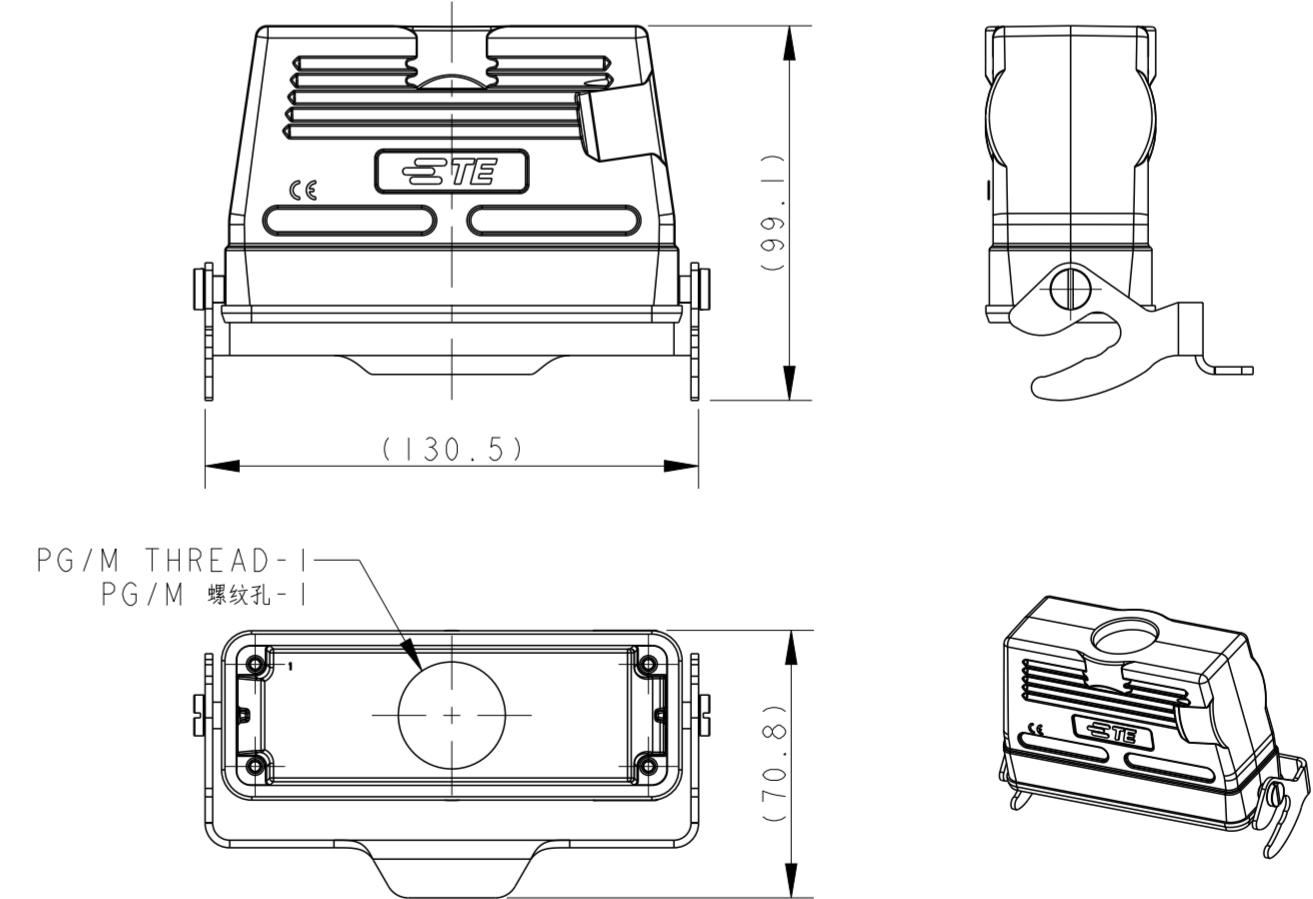
TYPE 6: HIGH CONSTRUCTION + METAL DOUBLE LOCKING + TOP ENTRY+2 HOLE, OTHER SPEC REFER TO TYPE 4
 类型6: 高结构壳体+彩锌双扣+顶出+2个进线孔, 其他规格参照类型4



TYPE 7: HIGH CONSTRUCTION + METAL DOUBLE LOCKING + SIDE ENTRY, OTHER SPEC REFER TO TYPE 4
 类型7: 高结构壳体+彩锌双扣+侧出进线孔, 其他规格参照类型4



TYPE 9: HIGH CONSTRUCTION + METAL SINGLE LOCKING, OTHER SPEC REFER TO TYPE 4
 类型9: 高结构壳体+彩锌单扣, 其他规格参照类型4



| REVISIONS | | | | |
|-----------|-----|-------------|------|------|
| P | LTR | DESCRIPTION | DATE | APVD |
| - | - | SEE SHEET 1 | - | - |

| | | | | |
|--|--|-----------------------------|--------------------------------|--|
| THIS DRAWING IS A CONTROLLED DOCUMENT. | | DWN DAVID LI 03JUL2015 | TE Connectivity | |
| DIMENSIONS: mm | | CHK CHRIS WANG 03JUL2015 | | |
| TOLERANCES UNLESS OTHERWISE SPECIFIED: | | APVD XU XIANG 03JUL2015 | NAME H24B-TBFS/TBF-LB/TBF-PG/M | |
| 0 PLC ± | | PRODUCT SPEC 108-137013 | SIZE A2 | |
| 1 PLC ± | | APPLICATION SPEC 114-137013 | CAGE CODE - | |
| 2 PLC ± | | WEIGHT - | DRAWING NO. C-T17X024XXXX000 | |
| 3 PLC ± | | CUSTOMER DRAWING | RESTRICTED TO | |
| 4 PLC ± | | | SCALE 1:2 | |
| ANGLES ± | | | SHEET 2 OF 3 | |
| FINISH - | | | REV B1 | |

THIS DRAWING IS UNPUBLISHED. RELEASED FOR PUBLICATION 20
 © COPYRIGHT 20 BY - ALL RIGHTS RESERVED.

| REVISIONS | | | | |
|-----------|-----|-------------|------|-----|
| P | LTR | DESCRIPTION | DATE | DWN |
| - | | SEE SHEET 1 | - | - |
| | | | | |
| | | | | |

NOTE:
SEE SHEET 1

| PART NUMBER 料号 | PART DESCRIPTION 描述 | PG/M THREAD-1 PG/M 螺纹孔-1 | PG/M THREAD-2 PG/M 螺纹孔-2 | TYPE 类型 |
|-------------------|--|-----------------------------|-----------------------------|----------------|
| TI750241121-000 | H24B HOUSING, CABLE-TO-CABLE, STAINLESS STEEL DOUBEL LOCKING, TOP ENTRY PG21, HIGH CONSTRUCTION, POWDER COATED, GRAY H24B下壳, 电缆对接, 不锈钢双扣, 顶出PG21, 高结构, 灰色粉末喷涂 | PG21 | - | TYPE 4 类型 4 |
| TI750241125-000 | H24B HOUSING, CABLE-TO-CABLE, STAINLESS STEEL DOUBEL LOCKING, TOP ENTRY M25, HIGH CONSTRUCTION, POWDER COATED, GRAY H24B下壳, 电缆对接, 不锈钢双扣, 顶出M25, 高结构, 灰色粉末喷涂 | M25 | - | |
| TI750241129-000 | H24B HOUSING, CABLE-TO-CABLE, STAINLESS STEEL DOUBEL LOCKING, TOP ENTRY PG29, HIGH CONSTRUCTION, POWDER COATED, GRAY H24B下壳, 电缆对接, 不锈钢双扣, 顶出PG29, 高结构, 灰色粉末喷涂 | PG29 | - | |
| TI750241132-000 | HH24B HOUSING, CABLE-TO-CABLE, STAINLESS STEEL DOUBEL LOCKING, TOP ENTRY M32, HIGH CONSTRUCTION, POWDER COATED, GRAY H24B下壳, 电缆对接, 不锈钢双扣, 顶出M32, 高结构, 灰色粉末喷涂 | M32 | - | |
| TI750242121-000 | H24B HOUSING, CABLE-TO-CABLE, METAL DOUBLE LOCKING, TOP ENTRY PG21, HIGH CONSTRUCTION, POWDER COATED, GRAY H24B下壳, 电缆对接, 彩锌双扣, 顶出PG21, 高结构, 灰色粉末喷涂 | PG21 | - | TYPE 5 类型 5 |
| TI750242125-000 | H24B HOUSING, CABLE-TO-CABLE, METAL DOUBLE LOCKING, TOP ENTRY M25, HIGH CONSTRUCTION, POWDER COATED, GRAY H24B下壳, 电缆对接, 彩锌双扣, 顶出M25, 高结构, 灰色粉末喷涂 | M25 | - | |
| TI750242129-000 | H24B HOUSING, CABLE-TO-CABLE, METAL DOUBLE LOCKING, TOP ENTRY PG29, HIGH CONSTRUCTION, POWDER COATED, GRAY H24B下壳, 电缆对接, 彩锌双扣, 顶出PG29, 高结构, 灰色粉末喷涂 | PG29 | - | |
| TI750242132-000 | H24B HOUSING, CABLE-TO-CABLE, METAL DOUBLE LOCKING, TOP ENTRY M32, HIGH CONSTRUCTION, POWDER COATED, GRAY H24B下壳, 电缆对接, 彩锌双扣, 顶出M32, 高结构, 灰色粉末喷涂 | M32 | - | |
| TI750242140-000 | H24B HOUSING, CABLE-TO-CABLE, METAL DOUBLE LOCKING, TOP ENTRY M40, HIGH CONSTRUCTION, POWDER COATED, GRAY H24B下壳, 电缆对接, 彩锌双扣, 顶出M40, 高结构, 灰色粉末喷涂 | M40 | - | TYPE 6 类型 6 |
| TI750242221-000 | H24B HOUSING, CABLE-TO-CABLE, METAL DOUBLE LOCKING, TOP ENTRY 2PG21, HIGH CONSTRUCTION, POWDER COATED, GRAY H24B下壳, 电缆对接, 彩锌双扣, 顶出2PG21, 高结构, 灰色粉末喷涂 | 2X PG21 | - | |
| TI750242225-000 | H24B HOUSING, CABLE-TO-CABLE, METAL DOUBLE LOCKING, TOP ENTRY 2M25, HIGH CONSTRUCTION, POWDER COATED, GRAY H24B下壳, 电缆对接, 彩锌双扣, 顶出2M25, 高结构, 灰色粉末喷涂 | 2X M25 | - | TYPE 7 类型 7 |
| TI790242129-000 | H24B HOUSING, CABLE-TO-CABLE, METAL DOUBLE LOCKING, SIDE ENTRY PG29, HIGH CONSTRUCTION, POWDER COATED, GRAY H24B下壳, 电缆对接, 彩锌双扣, 侧出PG29, 高结构, 灰色粉末喷涂 | - | PG29 | |
| TI790243225-000 | H24B HOUSING, CABLE-TO-CABLE, STAINLESS STEEL DOUBLE LOCKING, TOP ENTRY M32/M25, HIGH CONSTRUCTION, POWDER COATED, GRAY H24B下壳, 电缆对接, 不锈钢双扣, 顶出M32/M25, 高结构, 灰色粉末喷涂 | M32 | M25 | TYPE 8 类型 8 |
| TI770243121-000 | H24B HOUSING, CABLE-TO-CABLE, METAL SINGLE LOCKING, TOP ENTRY PG21, HIGH CONSTRUCTION, POWDER COATED, GRAY H24B下壳, 电缆对接, 彩锌单扣, 顶出PG21, 高结构, 灰色粉末喷涂 | PG21 | - | TYPE 9 类型 9 |
| TI770243129-000 | H24B HOUSING, CABLE-TO-CABLE, METAL SINGLE LOCKING, TOP ENTRY PG29, HIGH CONSTRUCTION, POWDER COATED, GRAY H24B下壳, 电缆对接, 彩锌单扣, 顶出PG29, 高结构, 灰色粉末喷涂 | PG29 | - | |
| TI770243132-000 | H24B HOUSING, CABLE-TO-CABLE, METAL SINGLE LOCKING, TOP ENTRY M32, HIGH CONSTRUCTION, POWDER COATED, GRAY H24B下壳, 电缆对接, 彩锌单扣, 顶出M32, 高结构, 灰色粉末喷涂 | M32 | - | |

| | | | | |
|--|--|-----------------------------|---|--|
| THIS DRAWING IS A CONTROLLED DOCUMENT. | | DWN DAVID LI 03JUL2015 | STE TE Connectivity | |
| | | CHK CHRIS WANG 03JUL2015 | | |
| | | APVD XU XIANG 03JUL2015 | NAME H24B-TBFS/TBF-LB/TBF-PG/M | |
| DIMENSIONS: mm | | PRODUCT SPEC 108-137013 | SIZE CAGE CODE DRAWING NO RESTRICTED TO | |
| TOLERANCES UNLESS OTHERWISE SPECIFIED: | | APPLICATION SPEC 114-137013 | SCALE 1:2 SHEET 3 OF 3 REV B1 | |
| MATERIAL TBD | | WEIGHT - | CUSTOMER DRAWING | |

单击下面可查看定价，库存，交付和生命周期等信息

[>>TE Connectivity\(泰科\)](#)