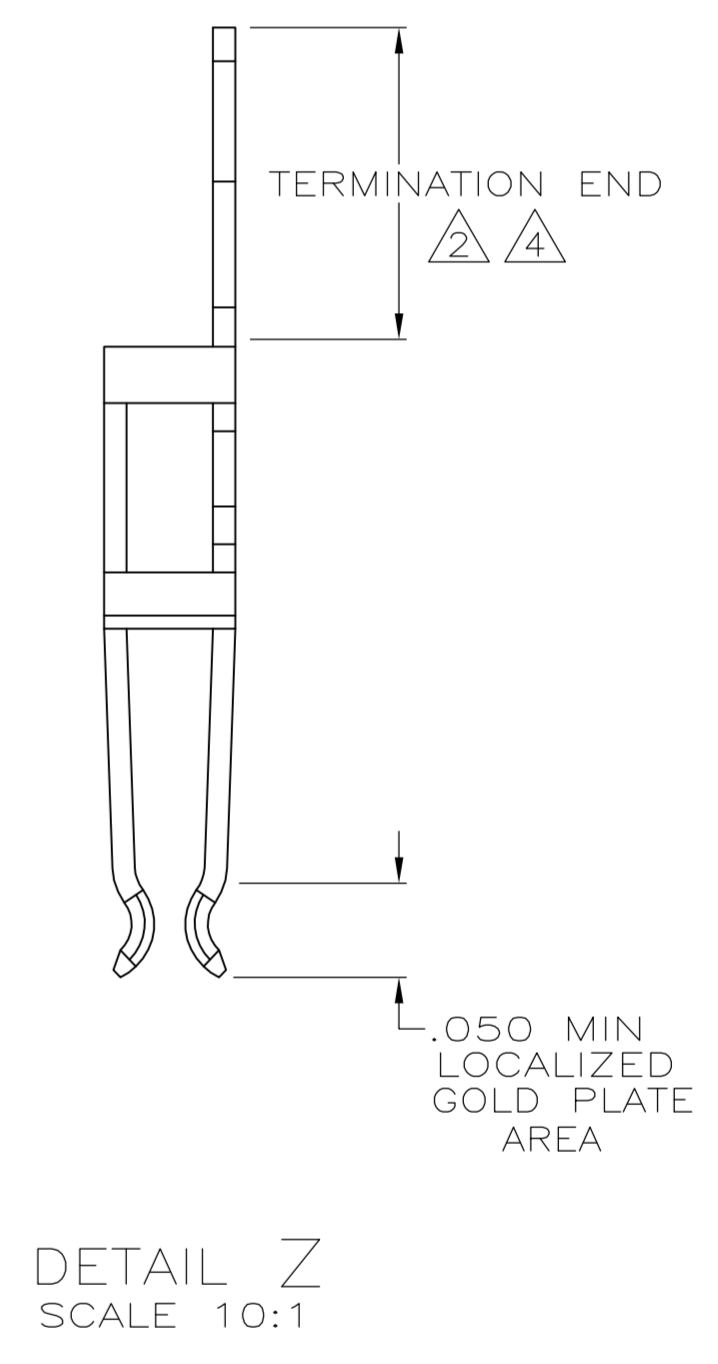
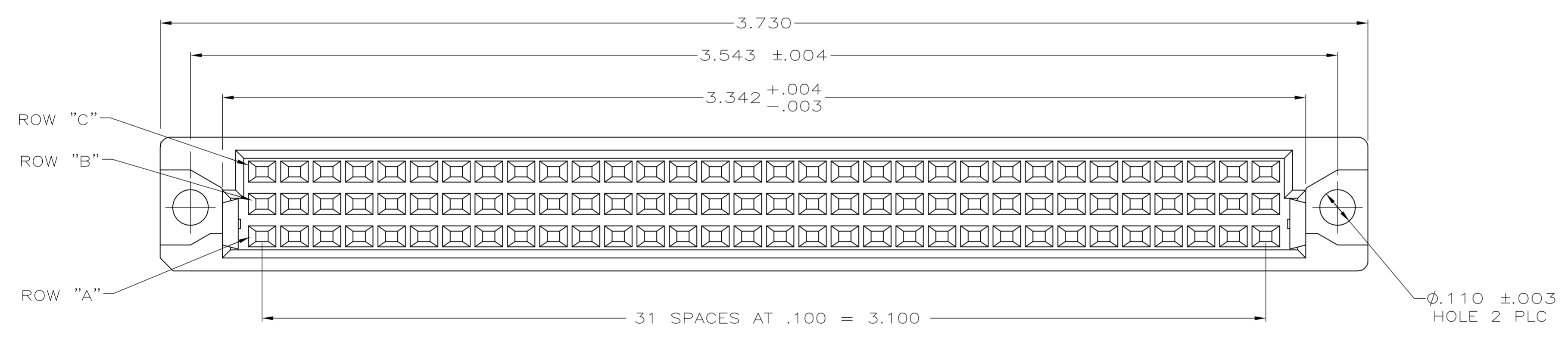


- 1. DIMENSION EQUALS .568 WHEN FULLY TERMINATED.
- 2. .000030 MIN. GOLD ON GOLD PLATE AREA, .000100 MIN. BRIGHT TIN LEAD ON TERMINATION END, ALL OVER .000050 NICKEL.
- 3. ASSEMBLY DESIGNED FOR #26 AND #28 AWG STRANDED CONDUCTOR AND #26, #28 AND #30 AWG SOLID CONDUCTOR RIBBON CABLE ON .050 CENTERS.
- 4. .000030 MIN. GOLD ON GOLD PLATE AREA, .000100 MIN. BRIGHT TIN ON TERMINATION END, ALL OVER .000050 NICKEL.



	4	CONTACTS LOADED IN ROWS A & C	746603-4
OBSOLETE	2	CONTACTS LOADED IN ROWS B & C	746603-3
OBSOLETE	2	CONTACTS LOADED IN ROWS A & B	746603-2
OBSOLETE	2	CONTACTS LOADED IN ROWS A & C	746603-1

FINISH	DESCRIPTION	PART NUMBER

THIS DRAWING IS A CONTROLLED DOCUMENT. DIMENSIONING AND TOLERANCING PER ASME Y14.5M-2009		DWG: D KEITZER 11-1-89	DIN 11-1-89	
DIMENSIONS: INCHES	TOLERANCES UNLESS OTHERWISE SPECIFIED:	CHK: -	APVD: -	NAME: -
0 PLC ± -	1 PLC ± -	PRODUCT SPEC: 108-46003	ASSEMBLY, EUROLATCH AMP-LATCH	
2 PLC ± -	3 PLC ± .005	APPLICATION SPEC: -	SIZE: A1	CAGE CODE: 00779
4 PLC ± -	ANGLES ± ± 1°	WEIGHT: -	DRAWING NO: 746603	RESTRICTED TO: -
MATERIAL: HOUSING & COVER	FINISH: CONTACTS: SEE TABLE	CUSTOMER DRAWING	SCALE: 4:1	SHEET: 1 OF 1

单击下面可查看定价，库存，交付和生命周期等信息

[>>TE Connectivity\(泰科\)](#)