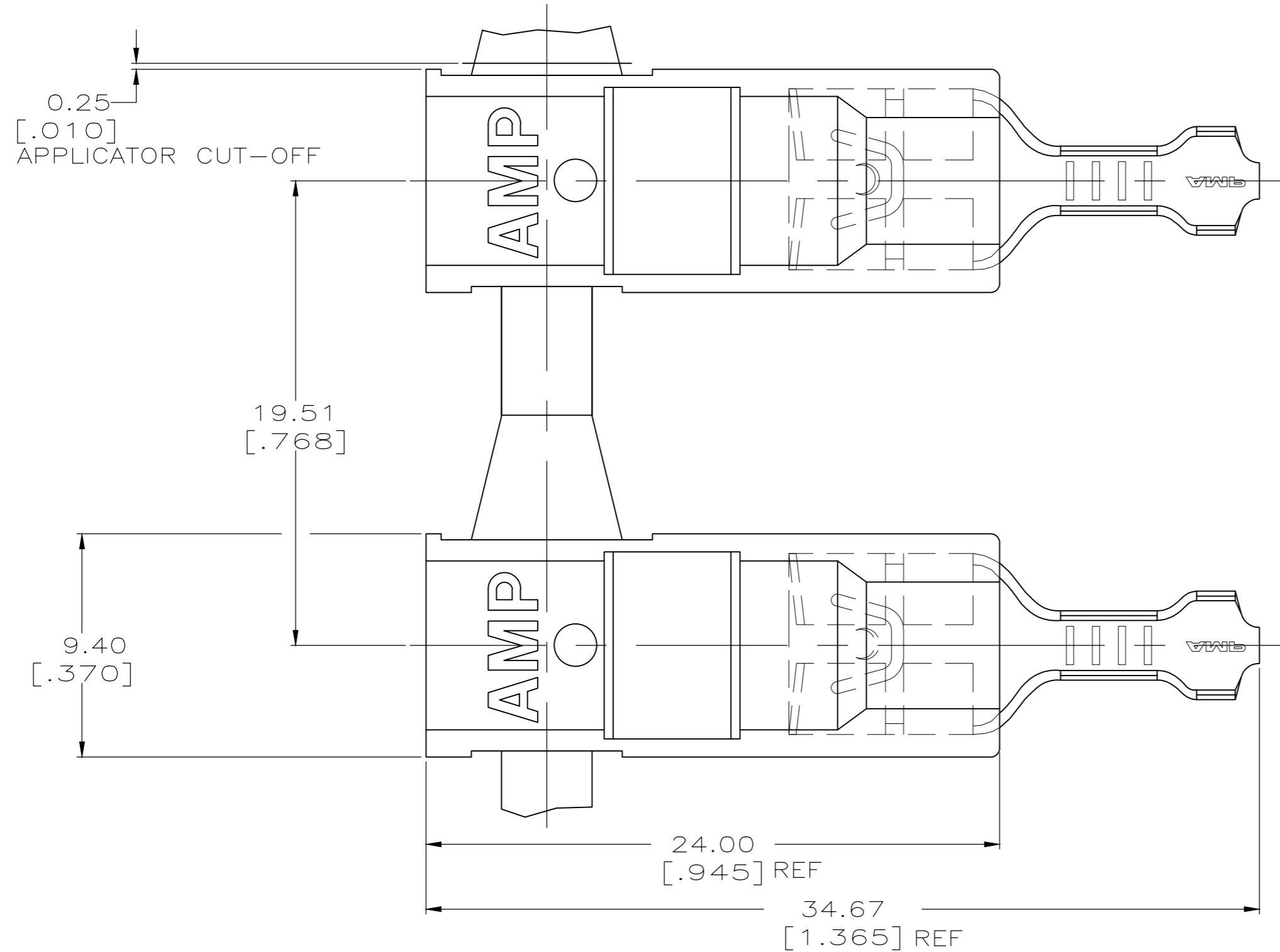
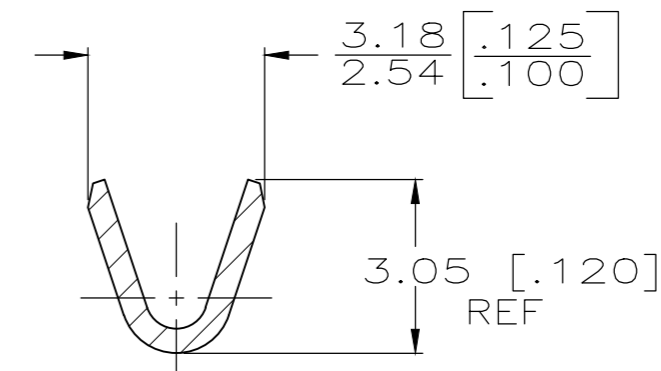


THIS DRAWING IS UNPUBLISHED. RELEASED FOR PUBLICATION
 © COPYRIGHT - By - ALL RIGHTS RESERVED.

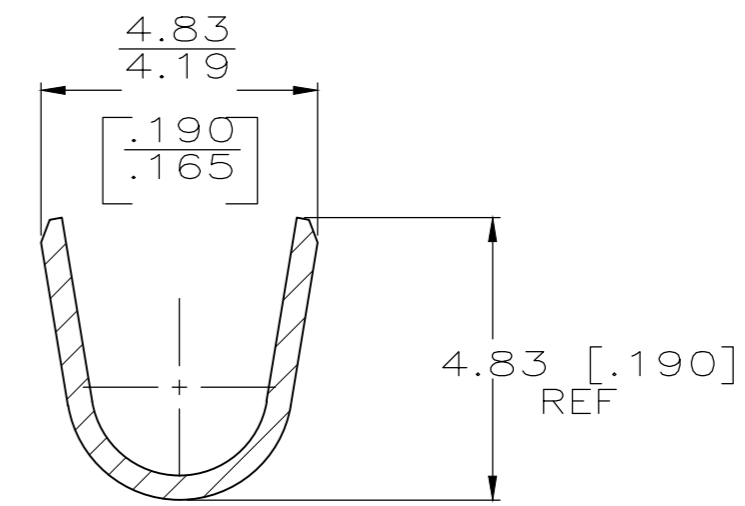
REVISIONS					
P	LTR	DESCRIPTION	DATE	DWN	APVD
C1		REVISED PER ECR-19-018127	10AUG20	AA	EW



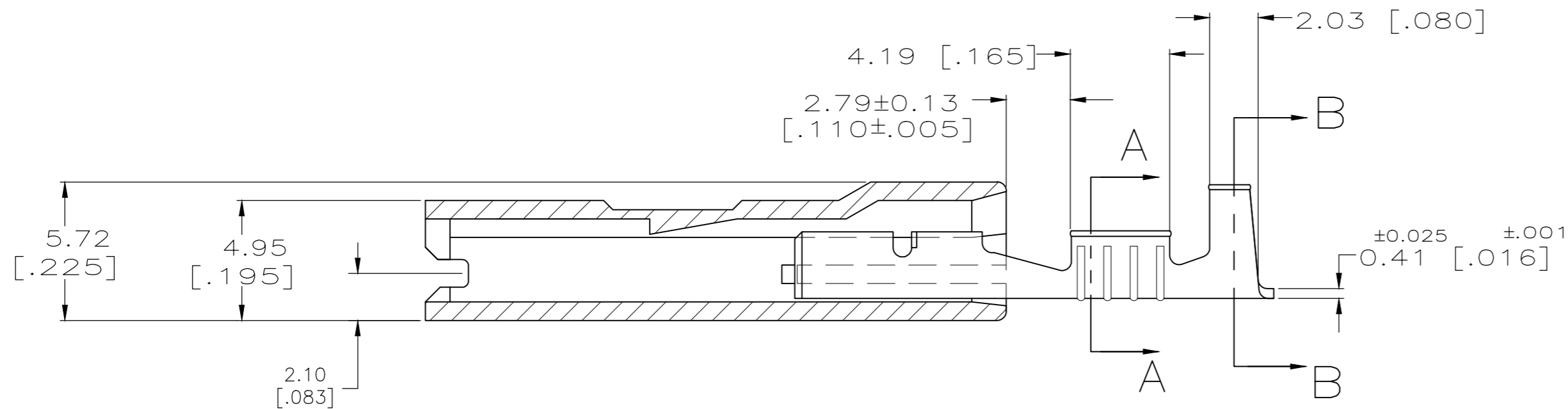
- 1 LOW-INSERTION FASTON TERMINALS, BASE PART NUMBER 2238027, ARE USED IN THIS PRODUCT.
- 2 OFFERED FOR CONSIDERATION IN APPLICATIONS REQUIRING "NON-DRIP" HOUSING MATERIAL.
- △3 PRE-PRODUCTION FASR REQUIRED.
- 4 WIRE SIZE: 0.3-0.8 MM² [22-18]
- 5 INSULATION RANGE: 2.29-3.30 [.090-.130]
- 6 MATING TAB THICK: 0.81±0.025[.032#.001]
- △7 GLOW WIRE APPROVED: CONTACT TE ENGINEERING FOR SPECIFICATION (ALL WALL THICKNESS ARE BETWEEN 0.4 - 3.0 [.015-.118].
- △8 OBSOLETE PARTS
- △9 AGENCY APPROVAL IS PENDING.



SECTION A-A
SCALE 8:1



SECTION B-B
SCALE 8:1



SUPERCEDED BY 1969161-5	△9	TIN PLATE	66 NYLON V0 NATURAL	1969161-5
	△8	TIN PLATE	NATURAL, V2, WHITE	△7 △3 1969161-3
		TIN PLATE	NYLON 66, V0 PLAIN	△3 1969161-2
		TERMINAL FINISH	HOUSING	△8 △3 1969161-1
			HOUSING	PART NO

THIS DRAWING IS A CONTROLLED DOCUMENT.		DWN	13OCT09	RAGHAVENDRA		TE Connectivity Ltd.	
DIMENSIONS: mm [INCHES]		CHK	13OCT09	G PORTA		ASSEMBLY, HOUSING & RECEPTACLE, 6.35 [.250] SERIES ULTRA-POD	
TOLERANCES UNLESS OTHERWISE SPECIFIED:		APVD	13OCT09	G PORTA		NAME	
0 PLC ± -		PRODUCT SPEC		108-1285		SIZE	
1 PLC ± -		APPLICATION SPEC		114-2124		CAGE CODE	
2 PLC ± 0.25 [.010]		MATERIAL		BRASS		DRAWING NO	
3 PLC ± -		FINISH		SEE TABLE		C=1969161	
4 PLC ± -		WEIGHT		0.000000		RESTRICTED TO	
ANGLES ± -		CUSTOMER DRAWING		SCALE 5:1		SHEET 1 OF 1	
		REV		C1			

单击下面可查看定价，库存，交付和生命周期等信息

[>>TE Connectivity\(泰科\)](#)