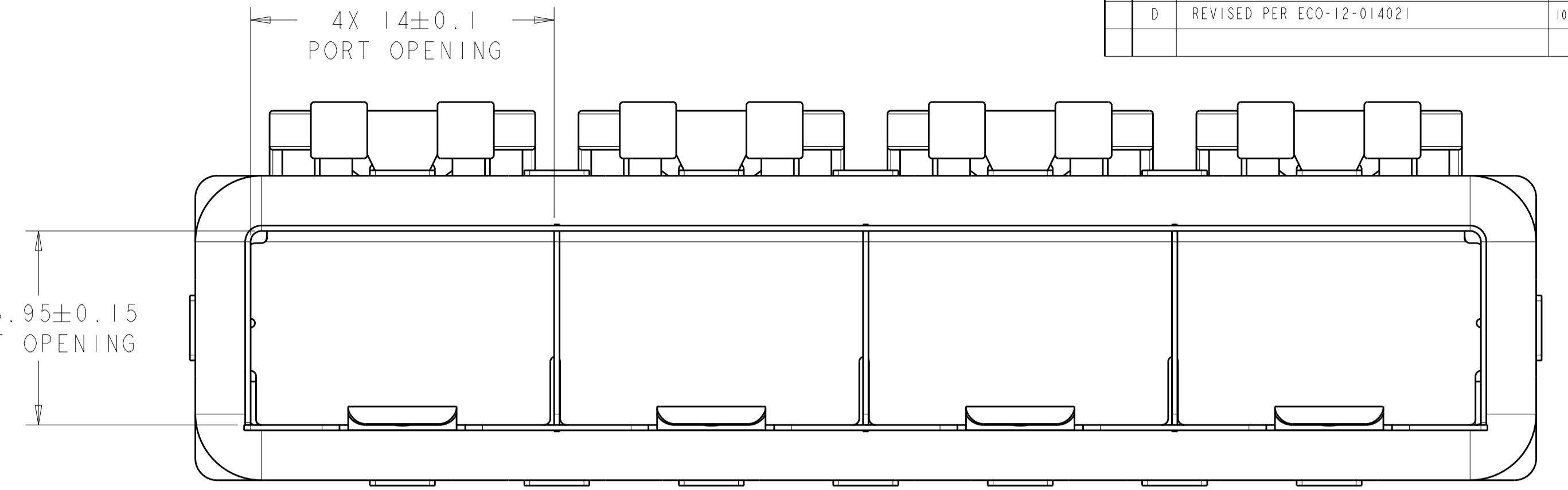
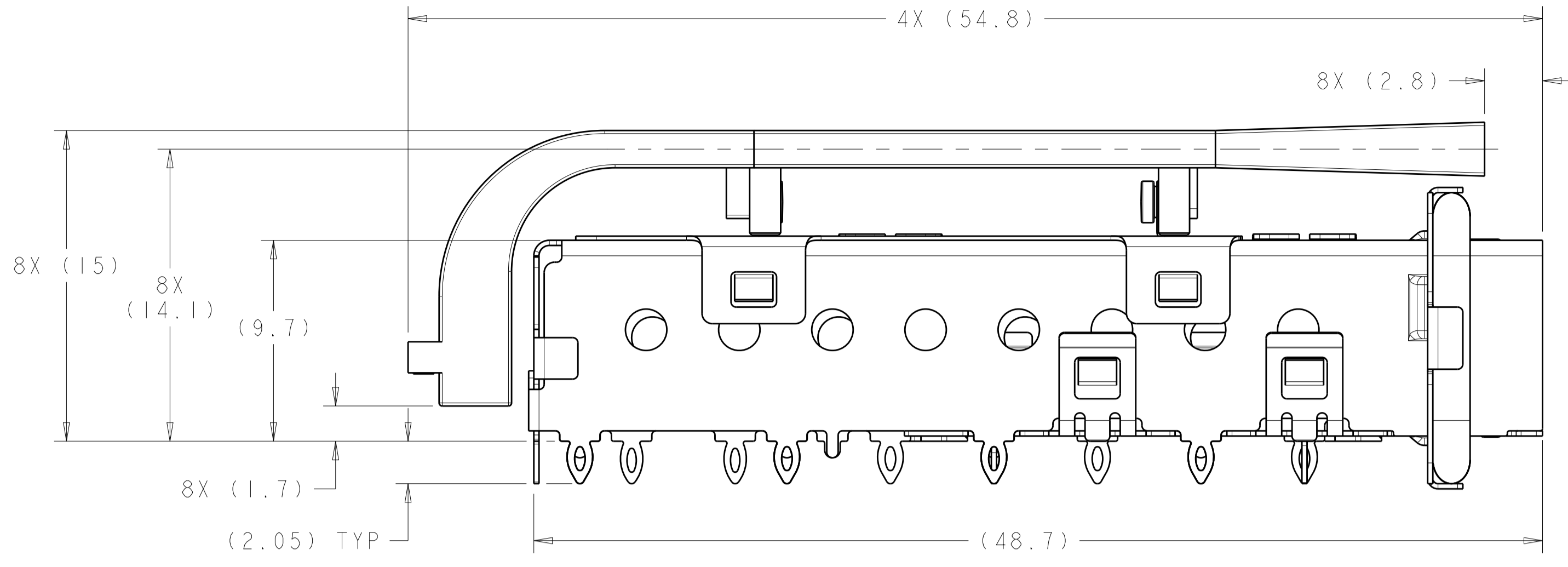
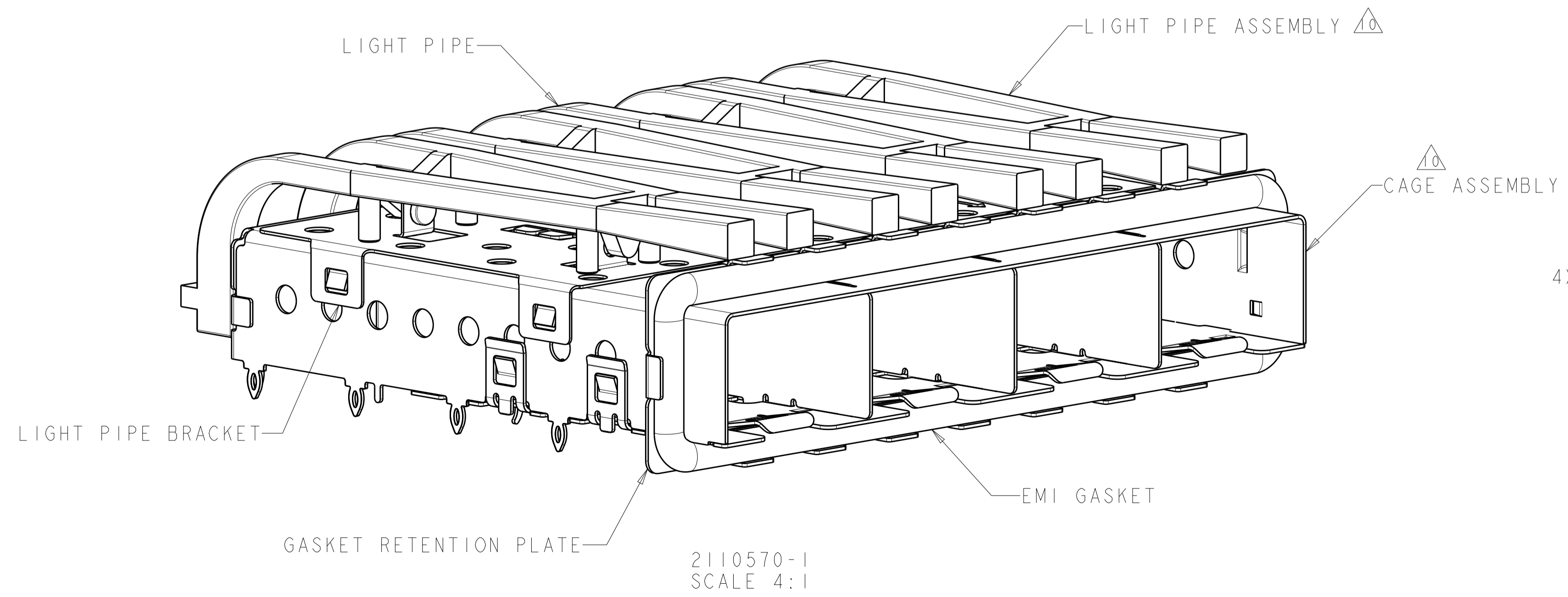
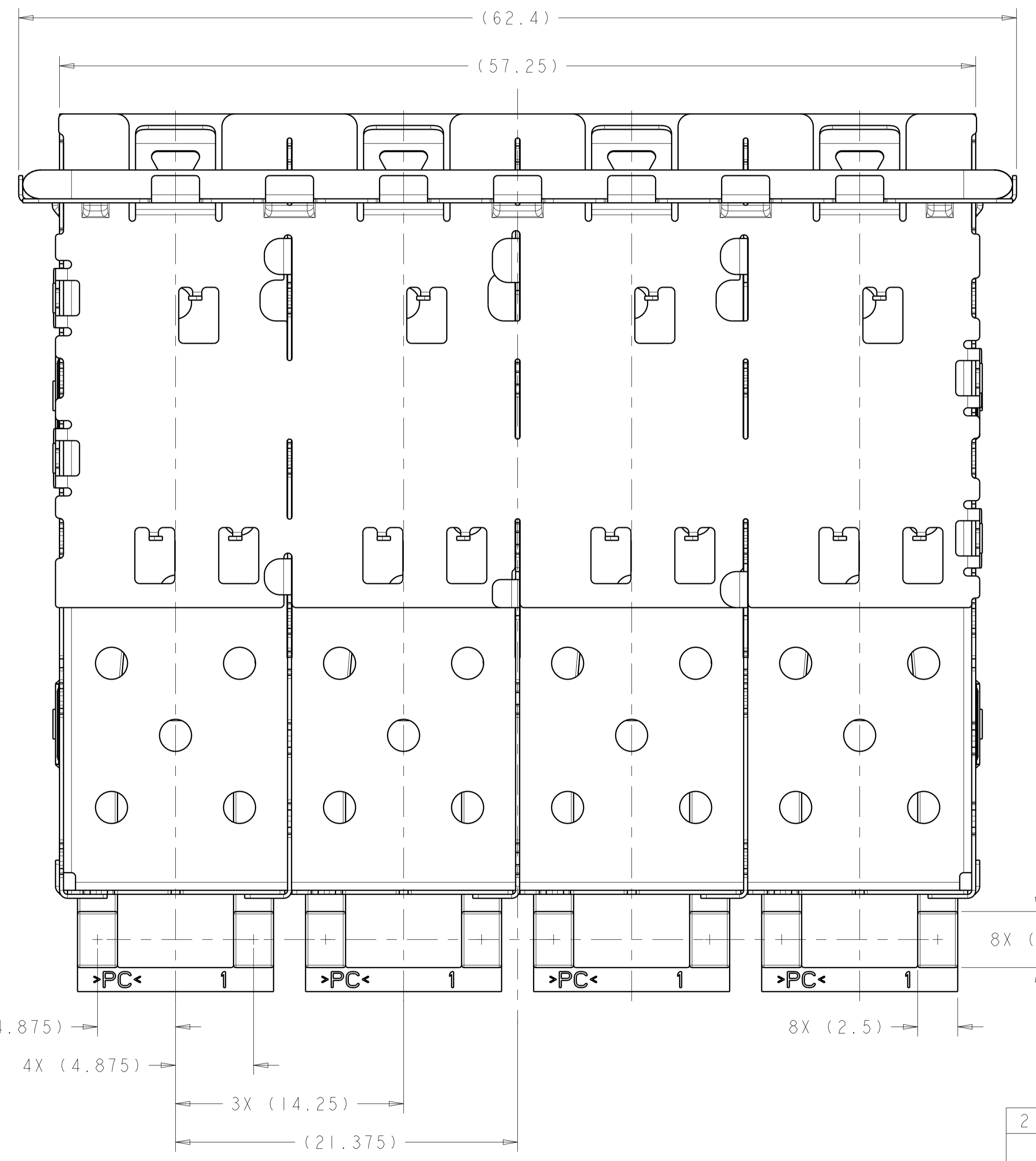


LOC	DIST	REVISIONS					
GP	00	P	LTN	DESCRIPTION	DATE	DWN	APVD
		B		REVISE PER ECO-09-022874	9OCT2009	ZMR	MRS
		C		REVISED PER ECO-10-004036	91MAR2010	CJV	MRS
		D		REVISED PER ECO-12-014021	10DEC2012	TD	AC



- 1 MATERIAL:  
 CAGE ASSEMBLY - 0.25mm THICK NICKEL SILVER ALLOY  
 GASKET RETENTION PLATE - STAINLESS STEEL  
 GASKET - PLATED FILLED SILICONE  
 LIGHT PIPE BRACKET - STAINLESS STEEL  
 LIGHT PIPE - POLYCARBONATE, CLEAR
- 2 MINIMUM PC BOARD THICKNESS = 1.50mm.
- 3 PADS AND VIAS CHASSIS GROUND.
- 4 DATUM AND BASIC DIMENSION ESTABLISHED BY CUSTOMER.
5. MATES WITH SFP MSA COMPLIANT TRANSCEIVERS.
6. INTERPRETATION OF DATUM REFERENCE FRAME IN ACCORDANCE WITH SECT 4.4.1.1 OF ASME Y14.5M-1994.
- 7 REFERENCE APPLICATION SPEC. 114-13120, HOLE A, FOR RECOMMENDED DRILL HOLE DIAMETER AND PLATING THICKNESS.
- 8 REFERENCE APPLICATION SPEC. 114-13120, HOLE B, FOR RECOMMENDED DRILL HOLE DIAMETER AND PLATING THICKNESS.
- 9 HOLE PATTERN REPEATS FOR EACH PORT. SPACING BETWEEN PORTS IS 14.25mm.
- 10 LIGHT PIPE ASSEMBLY SHIPPED UNASSEMBLED TO CAGE ASSEMBLY. CAGE ASSEMBLY TO BE PRESSED INTO THE PCB PRIOR TO ATTACHING THE LIGHT PIPE ASSEMBLY TO THE CAGE.
11. PRODUCT COMPLIES WITH SPECIFICATION SFF-8433 IMPROVED PLUGGABLE FORM FACTOR FOR SFP+ GANGED CAGES.



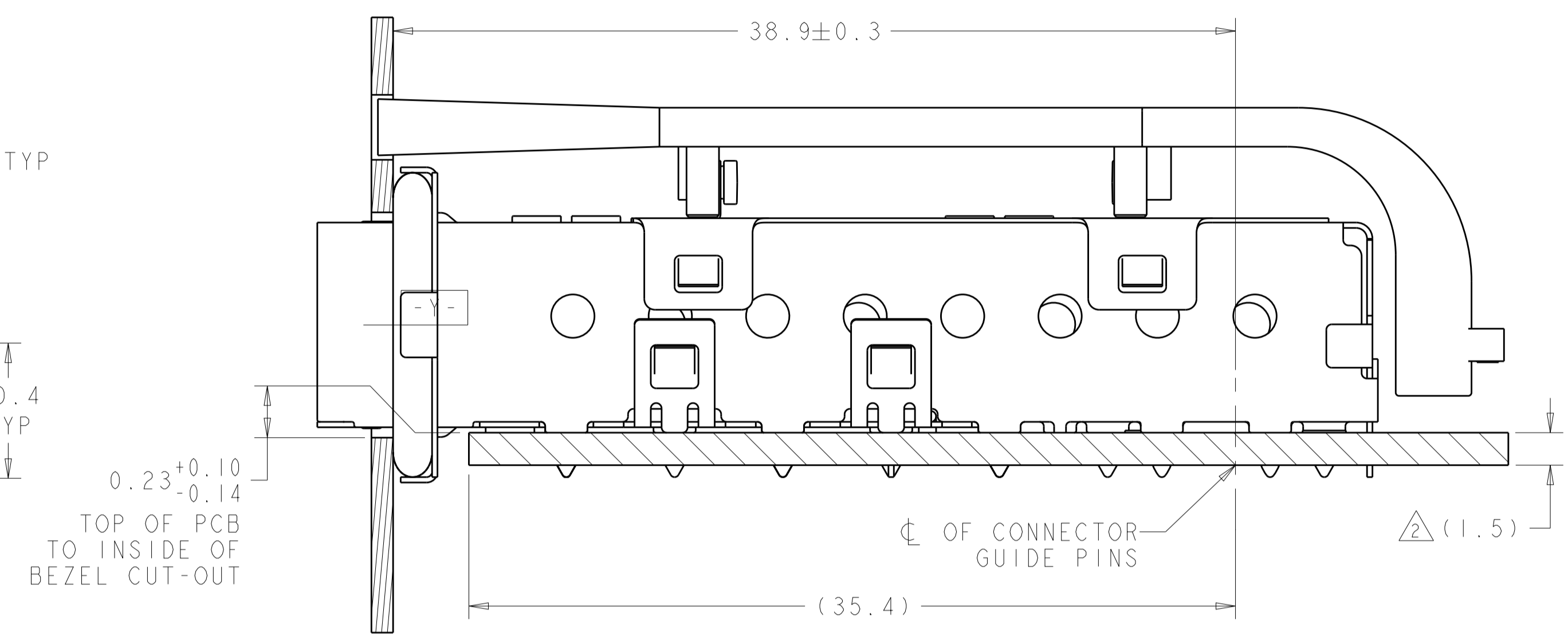
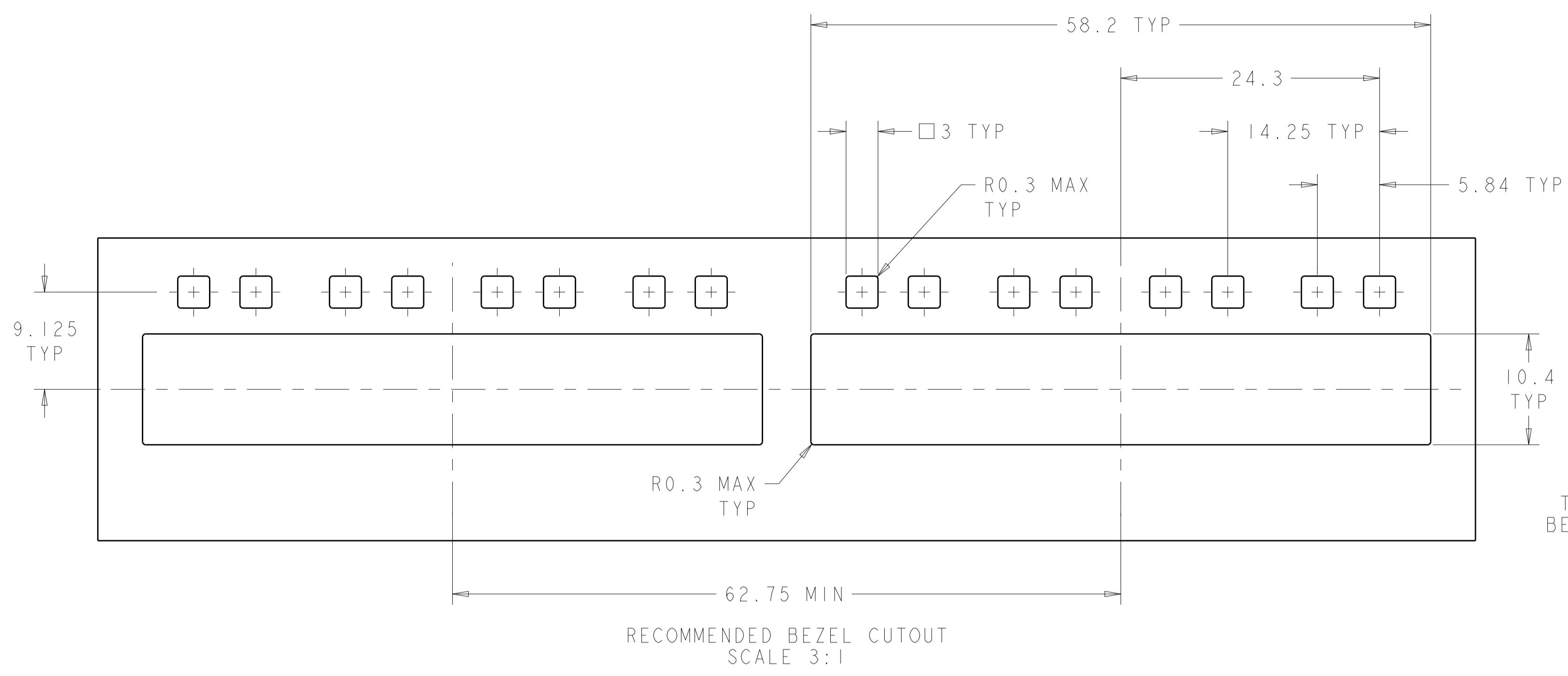
2110570-1  
 PART NUMBER

THIS DRAWING IS A CONTROLLED DOCUMENT.		DWN Z. M. BEAM 13APR2009	TE Connectivity
DIMENSIONS: mm		CHK M. R. SCHMITT 13APR2009	
TOLERANCES UNLESS OTHERWISE SPECIFIED:		APVD B. H. WERTZ 13APR2009	NAME SFP+ 1X4 CAGE ASSEMBLY, PRESS FIT, EMI GASKET, W/ REDUCED LENGTH SQUARE LIGHT PIPES
0 PLC ±0.1 1 PLC ±0.1 2 PLC ±0.1 3 PLC ±0.1 4 PLC ±0.1 ANGLES ±1°		PRODUCT SPEC 108-2364	RESTRICTED TO
MATERIAL		APPLICATION SPEC 114-13120	SIZE A100779
FINISH		WEIGHT	SCALE 1:1
		Customer Drawing	SHEET 1 OF 3 REV D

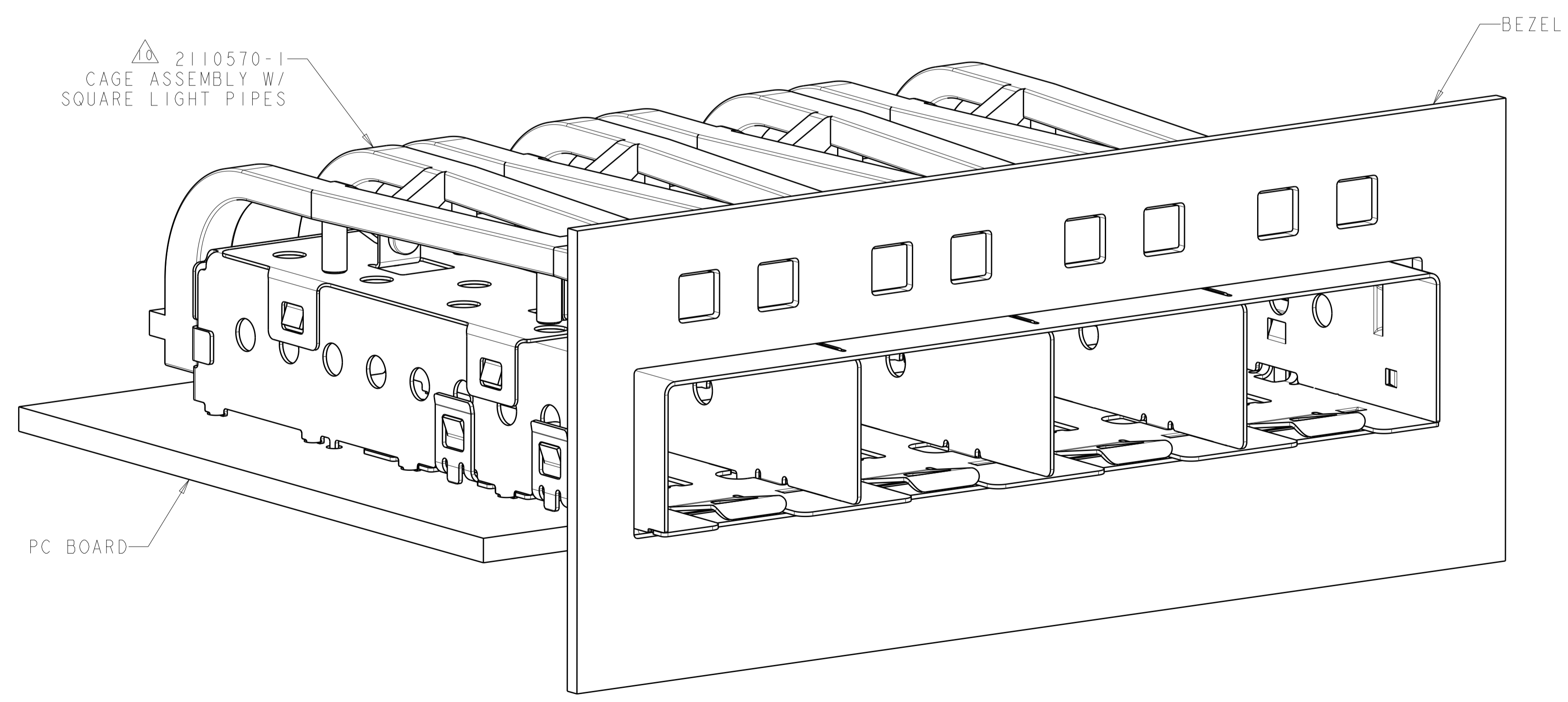
LOC	DIST	REV	DATE	BY	APPV
GP	00				

REVISIONS			
NO.	DESCRIPTION	DATE	BY
-	SEE SHEET 1	-	-



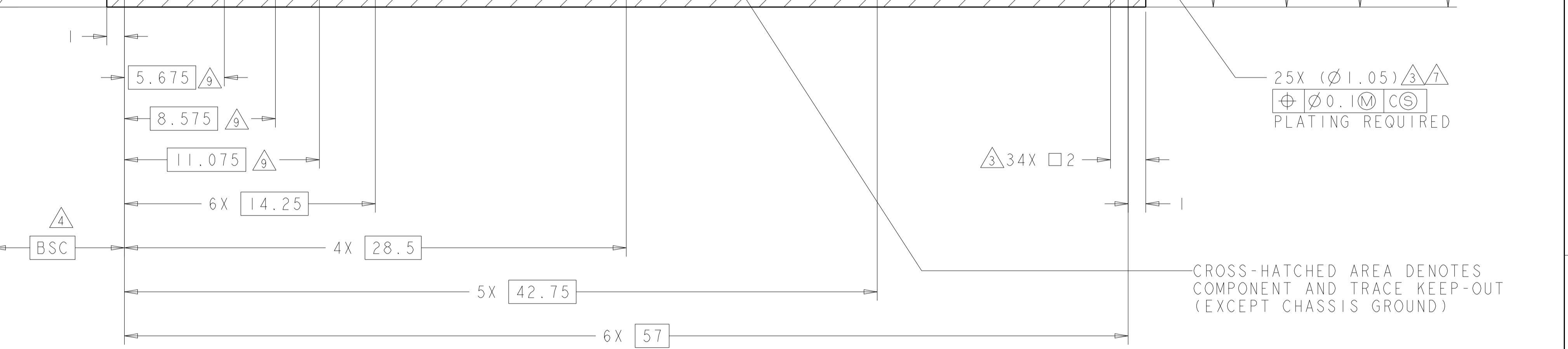
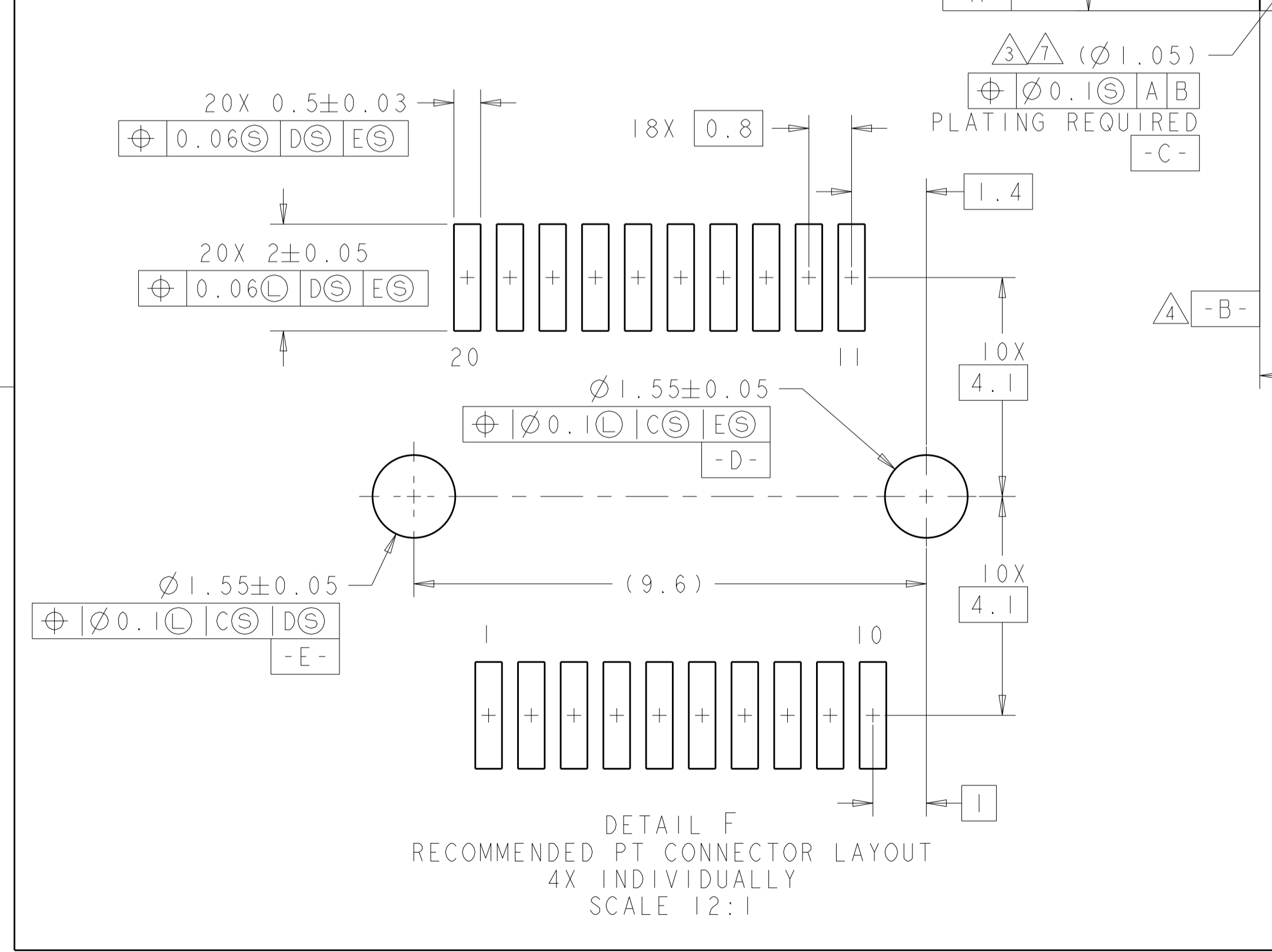
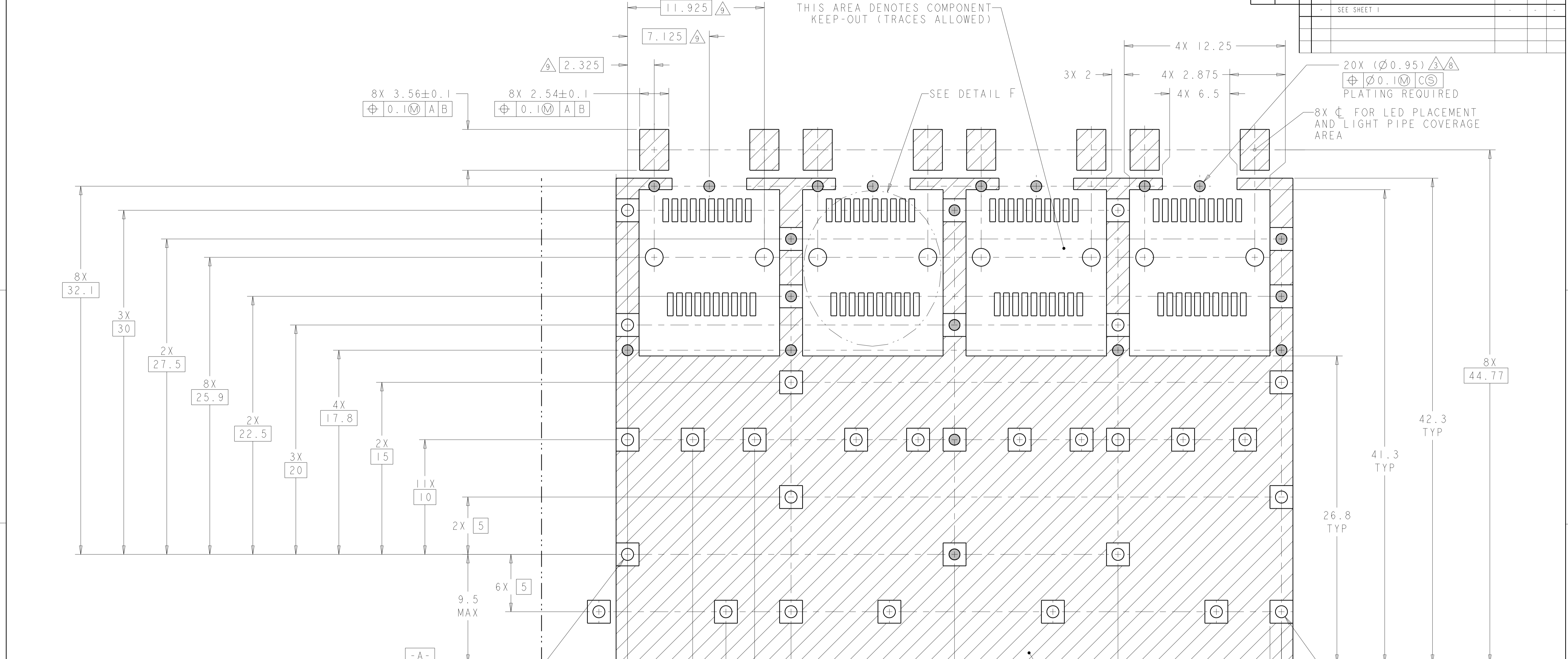
2110570-1  
MOUNTED ON PC BOARD SHOWN  
THRU RECOMMENDED BEZEL



2110570-1  
MOUNTED ON PC BOARD SHOWN  
THRU RECOMMENDED BEZEL

THIS DRAWING IS A CONTROLLED DOCUMENT.		OWN: Z.M.BEAM 13APR2009	 TE Connectivity
DIMENSIONS: mm		CHK: M.R.SCHMITT 13APR2009	
TOLERANCES UNLESS OTHERWISE SPECIFIED:		APPV: R.H.WERTZ 13APR2009	
0 PLC ±0.1 1 PLC ±0.1 2 PLC ±0.1 3 PLC ±0.1 4 PLC ±0.1 ANGLES ±1°		NAME: SFP+ 1X4 CAGE ASSEMBLY, PRESS FIT, EMI GASKET, W/ REDUCED LENGTH SQUARE LIGHT PIPES PRODUCT SPEC: 108-2364 APPLICATION SPEC: SIZE: 114-13120 WEIGHT: Customer Drawing	
MATERIAL:		RESTRICTED TO:	SCALE: 5:1 SHEET 2 OF 3 REV D

LOC	DIST	REVISIONS			
GP	00	REV	DATE	BY	APPV
		1	SEE SHEET 1		



RECOMMENDED PCB CONFIGURATION WITH KEEP-OUT AREAS  
SCALE 6:1

THIS DRAWING IS A CONTROLLED DOCUMENT.		OWN: Z. M. BEAM 13APR2009	TE Connectivity
DIMENSIONS: mm		CHK: M. R. SCHMITT 13APR2009	
TOLERANCES UNLESS OTHERWISE SPECIFIED:		APVD: B. H. WERTZ 13APR2009	NAME: SFP+ 1X4 CAGE ASSEMBLY, PRESS FIT, EMI GASKET, W/ REDUCED LENGTH SQUARE LIGHT PIPES
0 PLC	±0.1	PRODUCT SPEC	SIZE: 114-13120
1 PLC	±0.1	APPLICATION SPEC	WEIGHT: -
2 PLC	±0.1	FINISH: ±1*0*	RESTRICTED TO: -
3 PLC	±0.1		SCALE: 1:1
4 PLC	±0.1		SHEET: 3 OF 3
ANGLES	±0.1		REV: D
MATERIAL:		Customer Drawing	

单击下面可查看定价，库存，交付和生命周期等信息

[>>TE Connectivity\(泰科\)](#)