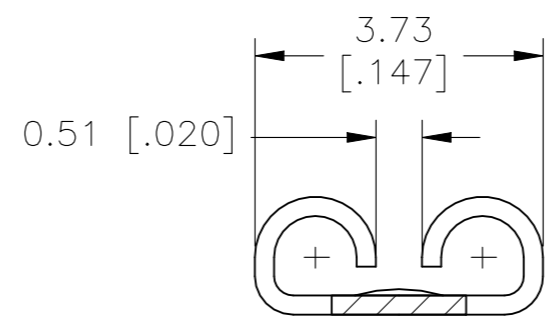
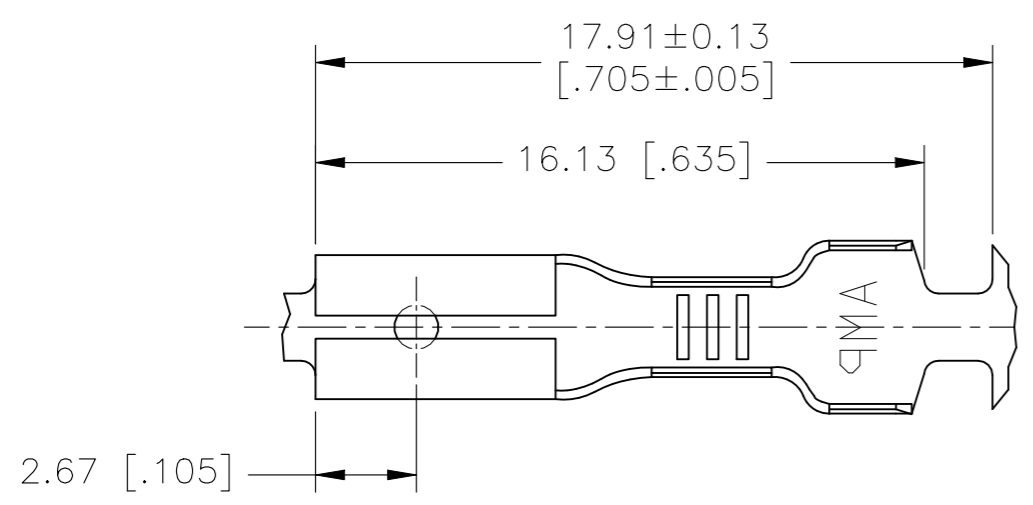
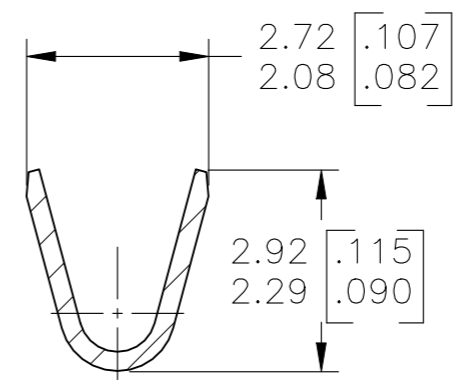
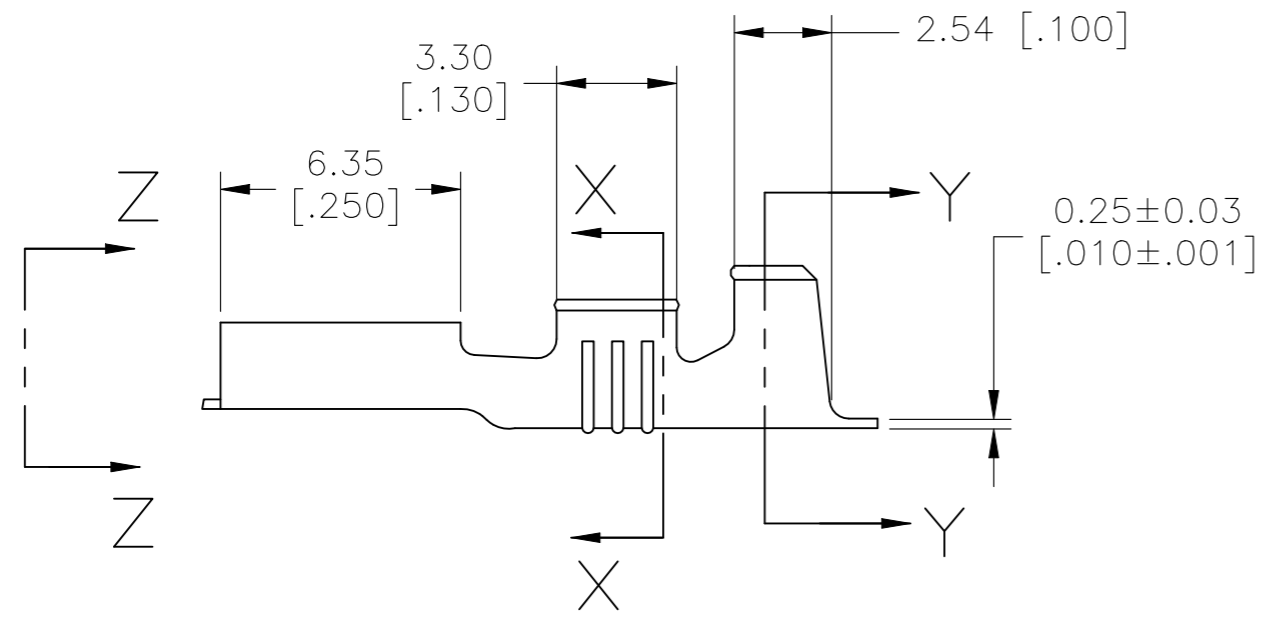


REVISIONS					
P	LTR	DESCRIPTION	DATE	DWN	APVD
	B2	REVISED PER ECR-19-018140	24DEC2020	SS	EW

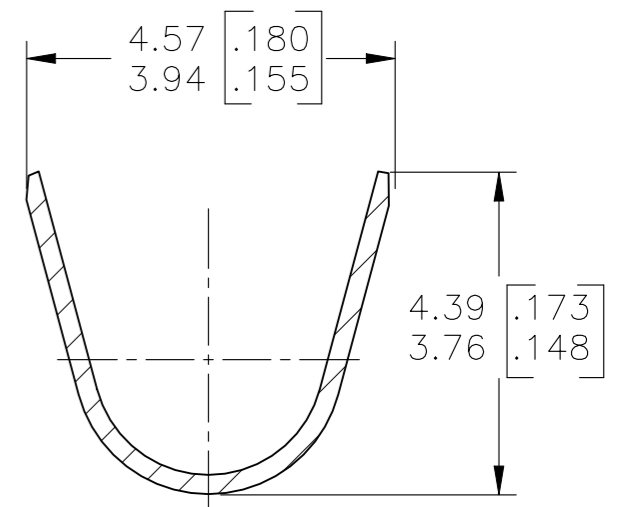


- 1 CONTINUOUS STRIP ON REELS
- 2 FINISH LEAD-FREE, MATTE TIN OVER NICKEL.

VIEW Z-Z  
SCALE 10:1



SECTION X-X  
SCALE 10:1



SECTION Y-Y  
SCALE 10:1

OBSOLETE	INSULATION RANGE	WIRE SIZE	MATING TAB THK	FINISH	PART NO.
	Ø2.29-3.30 Ø[.090-.130]	#22-#18 AWG	0.51±0.03 [.020±.001]	PRE-TIN	1742785-2 1742785-1

THIS DRAWING IS A CONTROLLED DOCUMENT.		DWN JR RUTH 25FEB09	TE Connectivity		
DIMENSIONS: mm [INCHES]		CHK MS FEHER 25FEB09			
TOLERANCES UNLESS OTHERWISE SPECIFIED:		APVD P DESANTIS 25FEB09	NAME		
0 PLC ± - 1 PLC ± - 2 PLC ± 0.38 [.015] 3 PLC ± - 4 PLC ± - ANGLES ± -		PRODUCT SPEC	RECEPTACLE, FASTON, 2.79 [.110] SERIES		
MATERIAL BRASS		FINISH -	APPLICATION SPEC	SIZE	RESTRICTED TO
		WEIGHT 0.000000	CAGE CODE A300779	DRAWING NO C-1742785	
CUSTOMER DRAWING			SCALE 5:1	SHEET 1 OF 1	REV B2

单击下面可查看定价，库存，交付和生命周期等信息

[>>TE Connectivity\(泰科\)](#)