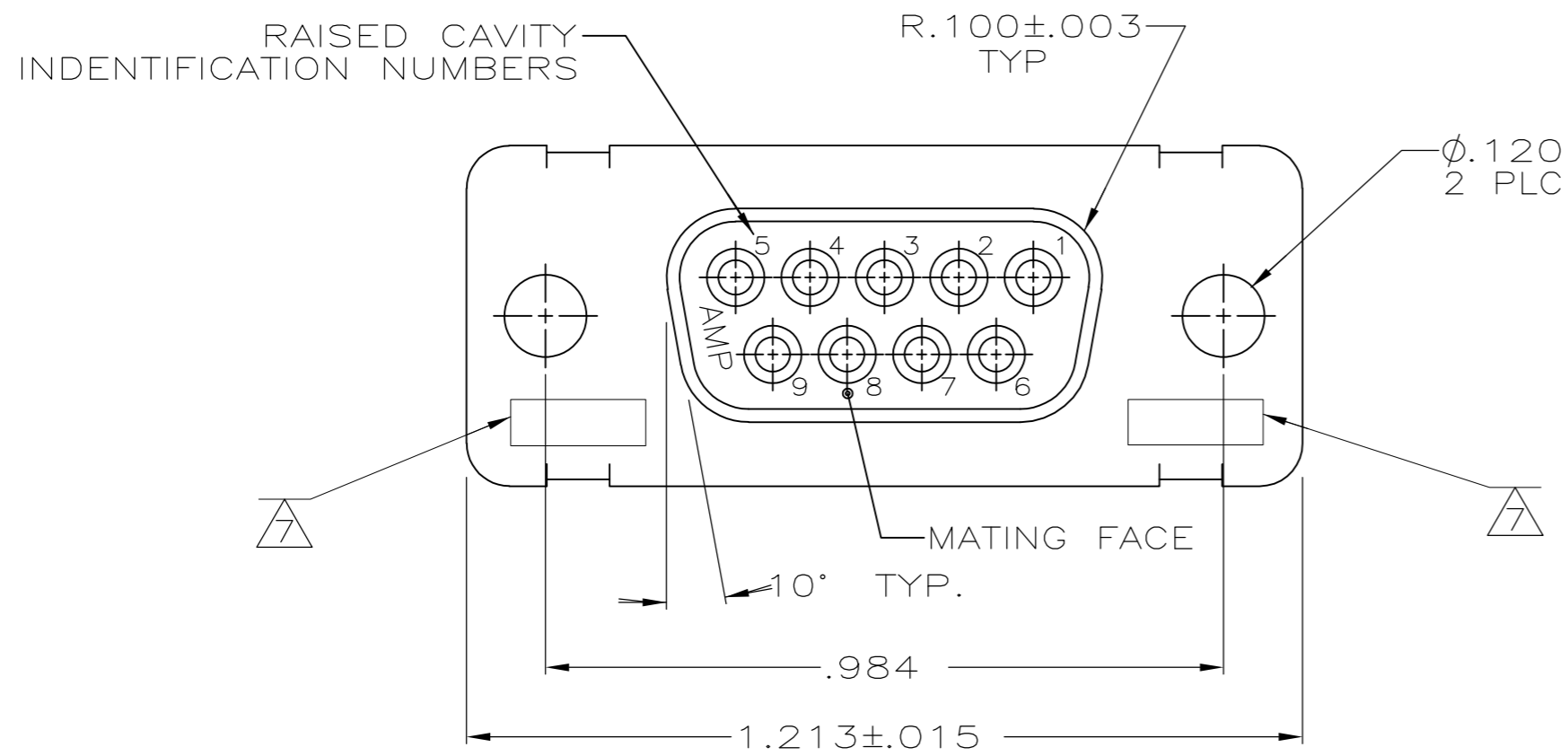
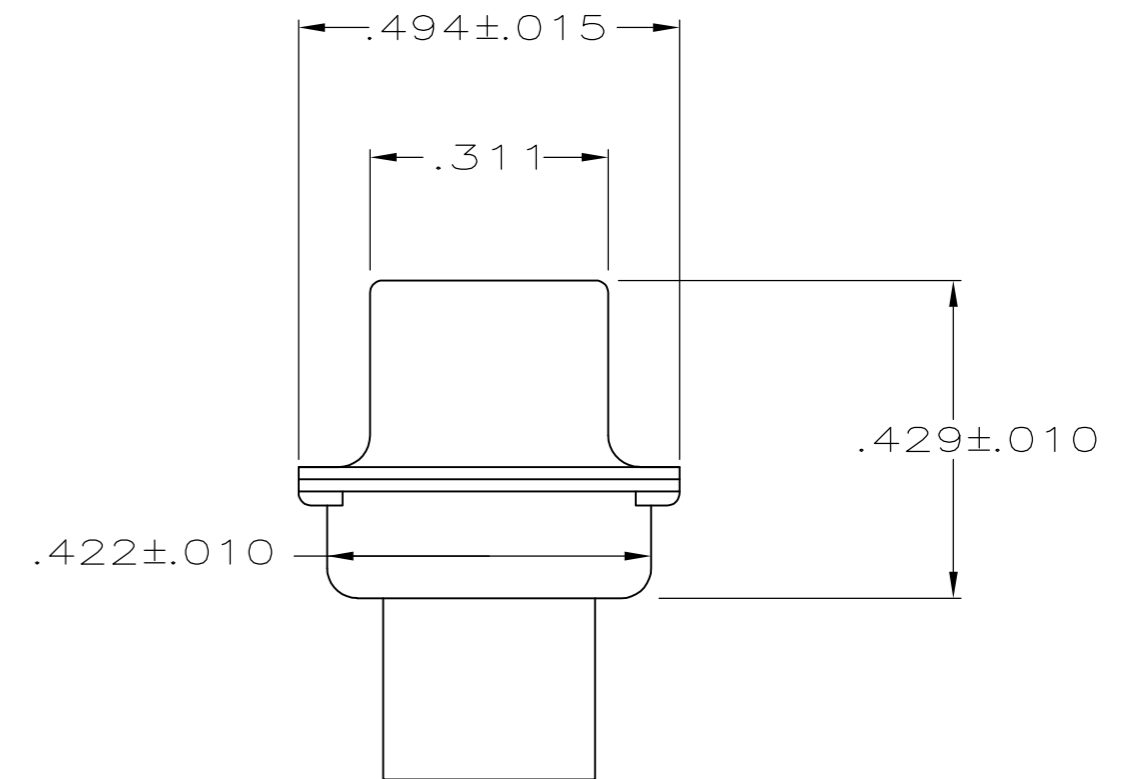
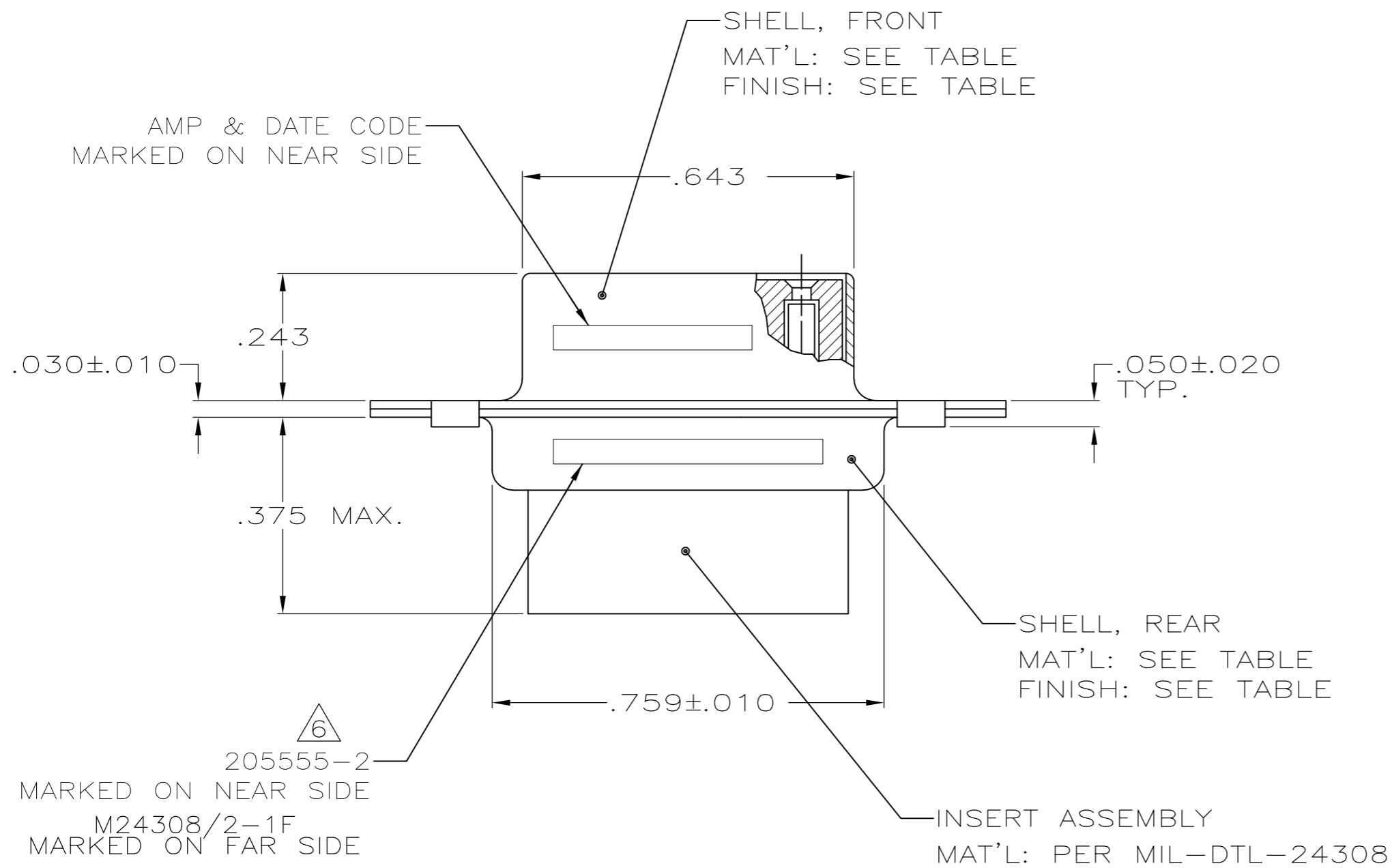


THIS DRAWING IS UNPUBLISHED. RELEASED FOR PUBLICATION
 © COPYRIGHT - By - ALL RIGHTS RESERVED.

LOC		DIST		REVISIONS			
P	LTR	DESCRIPTION	DATE	DWN	APVD		
	P3	REVISED PER ECO-15-016062	10NOV15	KG	CD		



1. THIS RCPT. IS DESIGNED TO CONFORM TO THE LATEST ISSUE OF MIL-C-24308
 2. MAX WIRE INSUL TO BE USED WITH THIS RCPT IS .068 DIA
 3. STAINLESS STEEL RETENTION CLIPS ARE INCLUDED IN INSERTS
 4. PACKAGE STAMPED M24308/2-281F
 5. THIS RCPT. WILL ACCEPT SIZE 20 SOCKET CONTACT M39029/63-368 OR ANY AMP HD-20 SOCKET CONTACT
- △6 AMP PART NO. STAMPED ON CONNECTOR REPRESENTS KIT NUMBER WITH CONTACTS
 - △7 UL/CSA DESIGNATION STAMPED IN THIS AREA.
 - △8 RESTRICTED ITAR DRAWING.
 - △9 FINISH: PLATED BRIGHT TIN .000400 MIN THK PER ASTM-B-545 OVER COPPER PLATE .000050 MIN THK PER MIL-C-14550.



△9	STEEL, CLASS G	205161-5
△8	-	205161-4
SUPSC BY 205161-1	CADMIUM PER QQ-P-416	STEEL, CLASS G
SUPSD BY 207253-2	CADMIUM PER QQ-P-416	BRASS
	CADMIUM PER QQ-P-416	STEEL, CLASS G
	SHELL FINISH	SHELL MATERIAL
		PART NUMBER

DIMENSIONS:		TOLERANCES UNLESS OTHERWISE SPECIFIED:		DWN		C.C.THOMAS		1-12-05	
INCHES		0 PLC	± -	CHK	D.MILLER	1-12-05		APVD	
INCHES		1 PLC	± -	D.MILLER		1-12-05		NAME	
INCHES		2 PLC	± -	D.MILLER		1-12-05		RCPT ASSY,AMPLITE,	
INCHES		3 PLC	± .005	D.MILLER		1-12-05		SIZE 1,9 POSN,SERIES 109	
INCHES		4 PLC	± -	D.MILLER		1-12-05		RESTRICTED TO	
INCHES		ANGLES	± 0° 30'	D.MILLER		1-12-05		SIZE	
INCHES		FINISH	SEE CALLOUTS	D.MILLER		1-12-05		CAGE CODE	
INCHES		FINISH	SEE CALLOUTS	D.MILLER		1-12-05		DRAWING NO	
INCHES		FINISH	SEE CALLOUTS	D.MILLER		1-12-05		SCALE	
INCHES		FINISH	SEE CALLOUTS	D.MILLER		1-12-05		SHEET	
INCHES		FINISH	SEE CALLOUTS	D.MILLER		1-12-05		REV	
INCHES		FINISH	SEE CALLOUTS	D.MILLER		1-12-05		P3	

单击下面可查看定价，库存，交付和生命周期等信息

[>>TE Connectivity\(泰科\)](#)