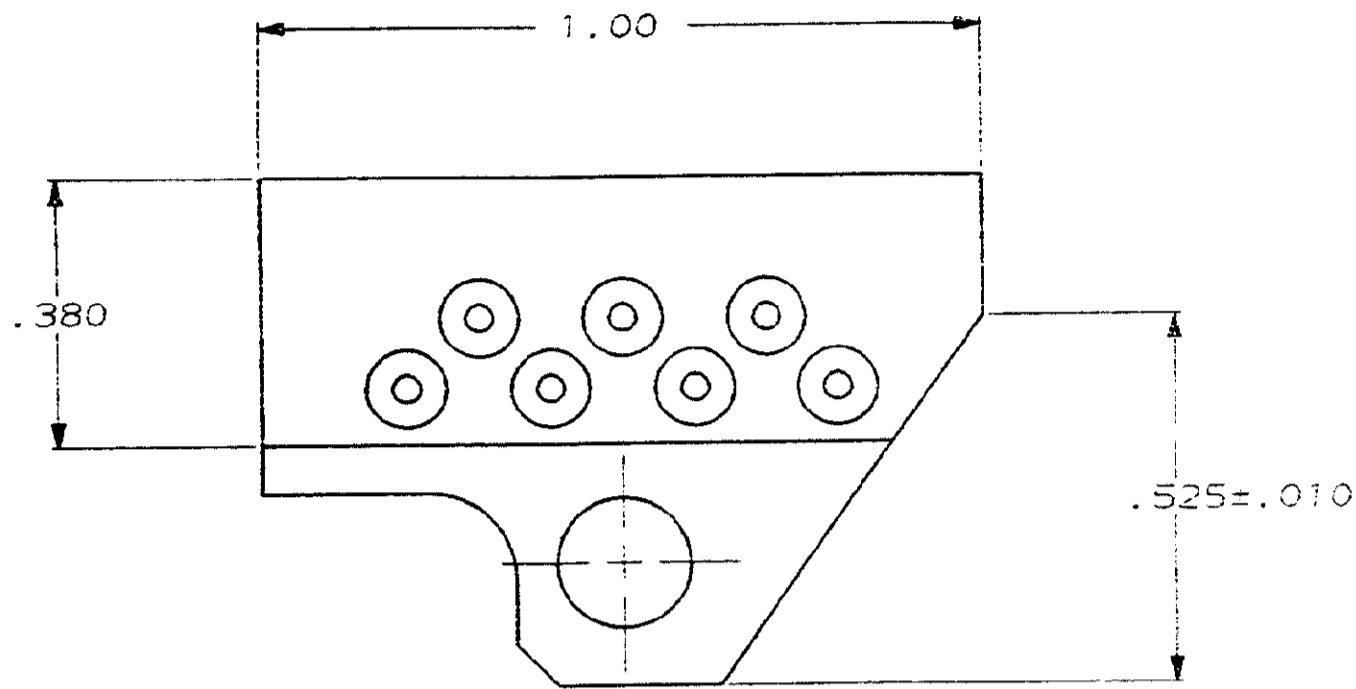


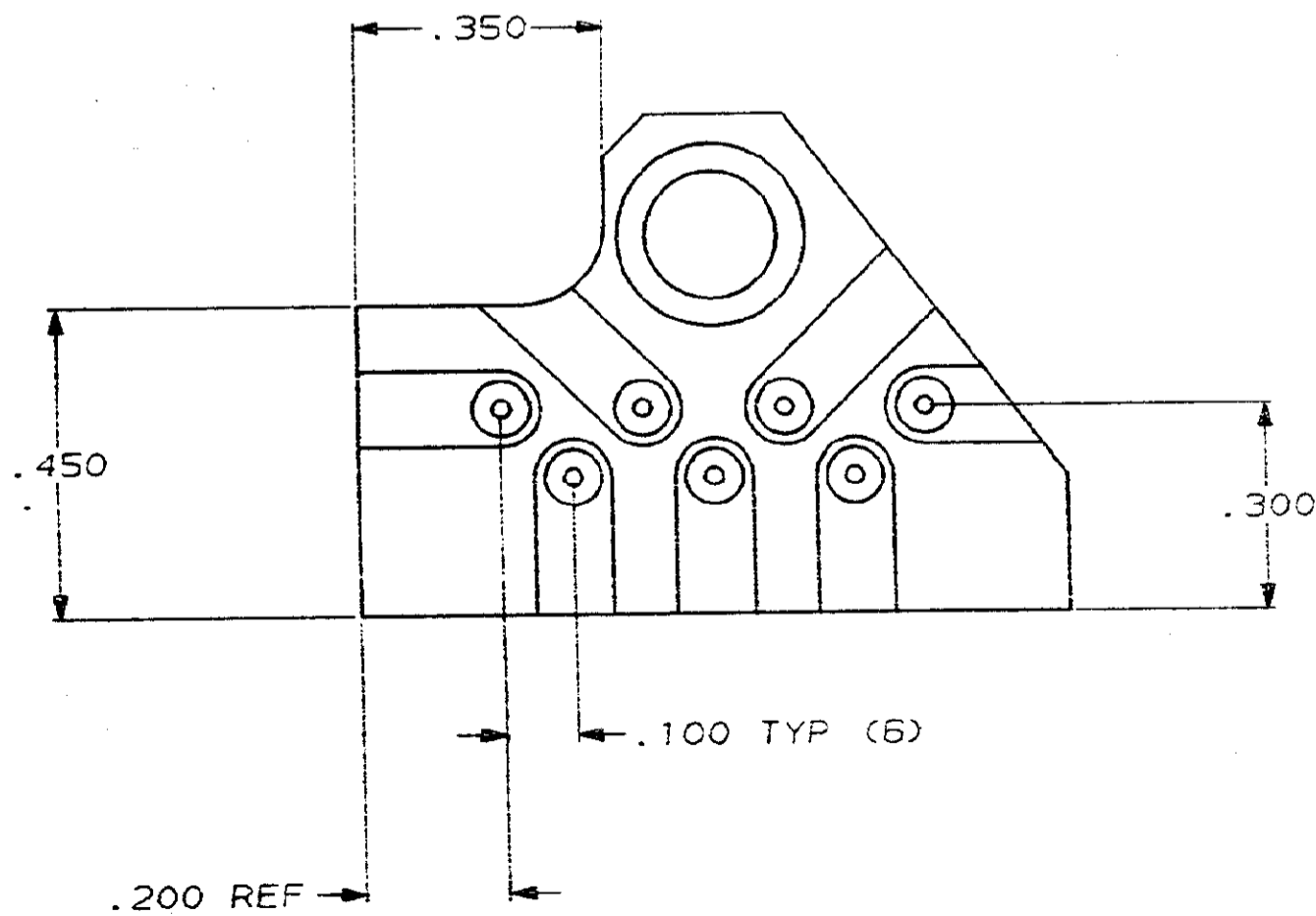
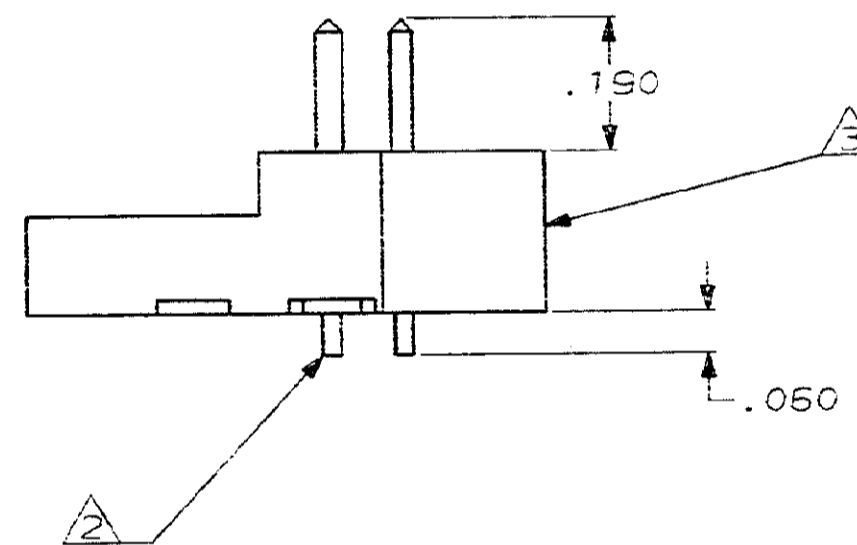
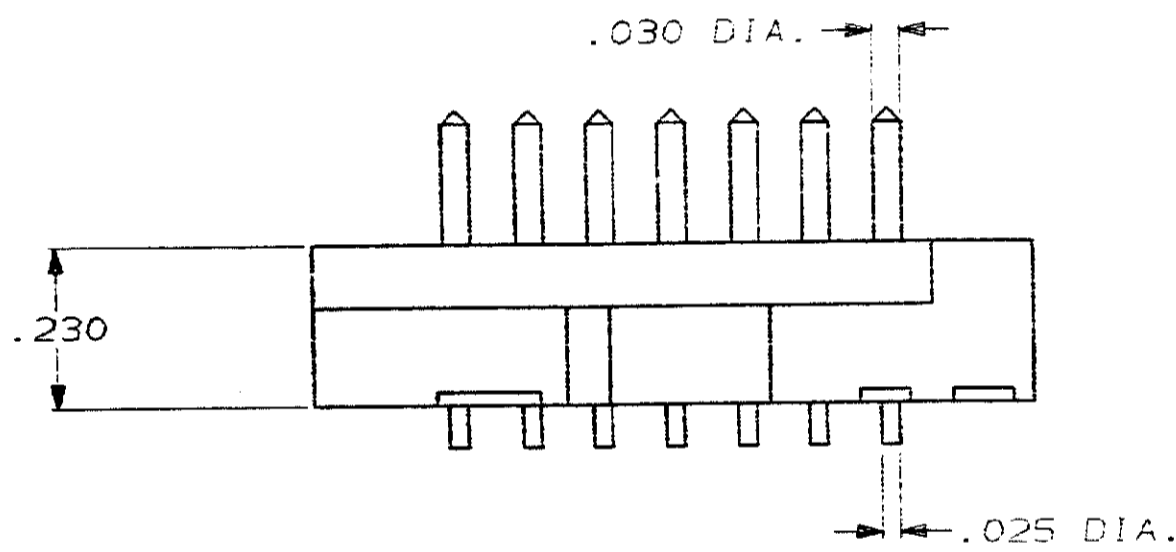
DRAWING MADE IN THIRD ANGLE PROJECTION

THIS DRAWING IS UNPUBLISHED. RELEASED FOR PUBLICATION .19  
 © COPYRIGHT 19 BY AMP INCORPORATED. ALL INTERNATIONAL RIGHTS RESERVED.

LOC	Q1ST	P	F	ZONE	LTR	DESCRIPTION	DATE	APPD
DF	A1					C REVISED PER ECN DF-4405	DES	5-29-91
						D REV PER ECN DF-5896	ETG	02-18-92



- ⚠ MATERIAL: GLASS FILLED THERMOPLASTIC VO RATED PER MIL-M-24519. COLOR: BLACK
- ⚠ THIS END SOLDER DIPPED IN ACCORDANCE WITH MIL STD 202, METHOD 208.
- ⚠ CUST P/N, "AMP" AND DATE CODE LOCATED IN THIS APPROXIMATE AREA.



---	---	447276-2
11750884	447276-2	447276-1
CUSTOMER PART NO	MATERIAL	PART NO
DO NOT SCALE PRINT. UNLESS SPECIFIED DIMENSIONS IN INCHES TOLERANCES ON: 2 PLC DEC ± .01 3 PLC DEC ± .005 ANGLES ± 1°	DR 7-18-90 D. DUDUKOVICH CHK 5-31-91 J. SCHÖLZ APPD 5-31-91 J. SCHÖLZ APPD C. NIKOLOFF 5-31-91 PRODUCT SPEC -	<b>AMP</b> AMP Incorporated Harrisburg, PA 17105-3608
MATERIAL	FINISH	NAME FUZE SYSTEM CONNECTOR FLAT CABLE (7 POSITION)
	APPLICATION SPEC	SIZE CAGE CODE DRAWING NO C 00779 447276
	WEIGHT	SCALE 4:1 SHEET 1 OF 1

CUSTOMER DRAWING

单击下面可查看定价，库存，交付和生命周期等信息

[>>TE Connectivity\(泰科\)](#)