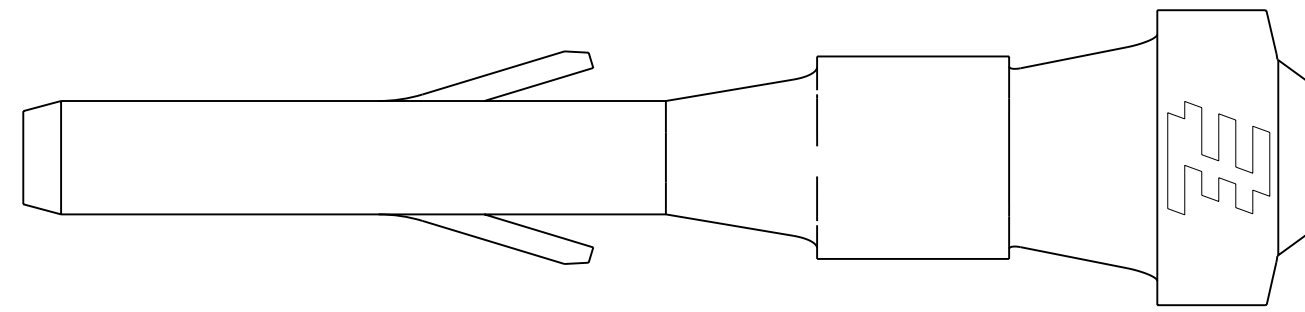


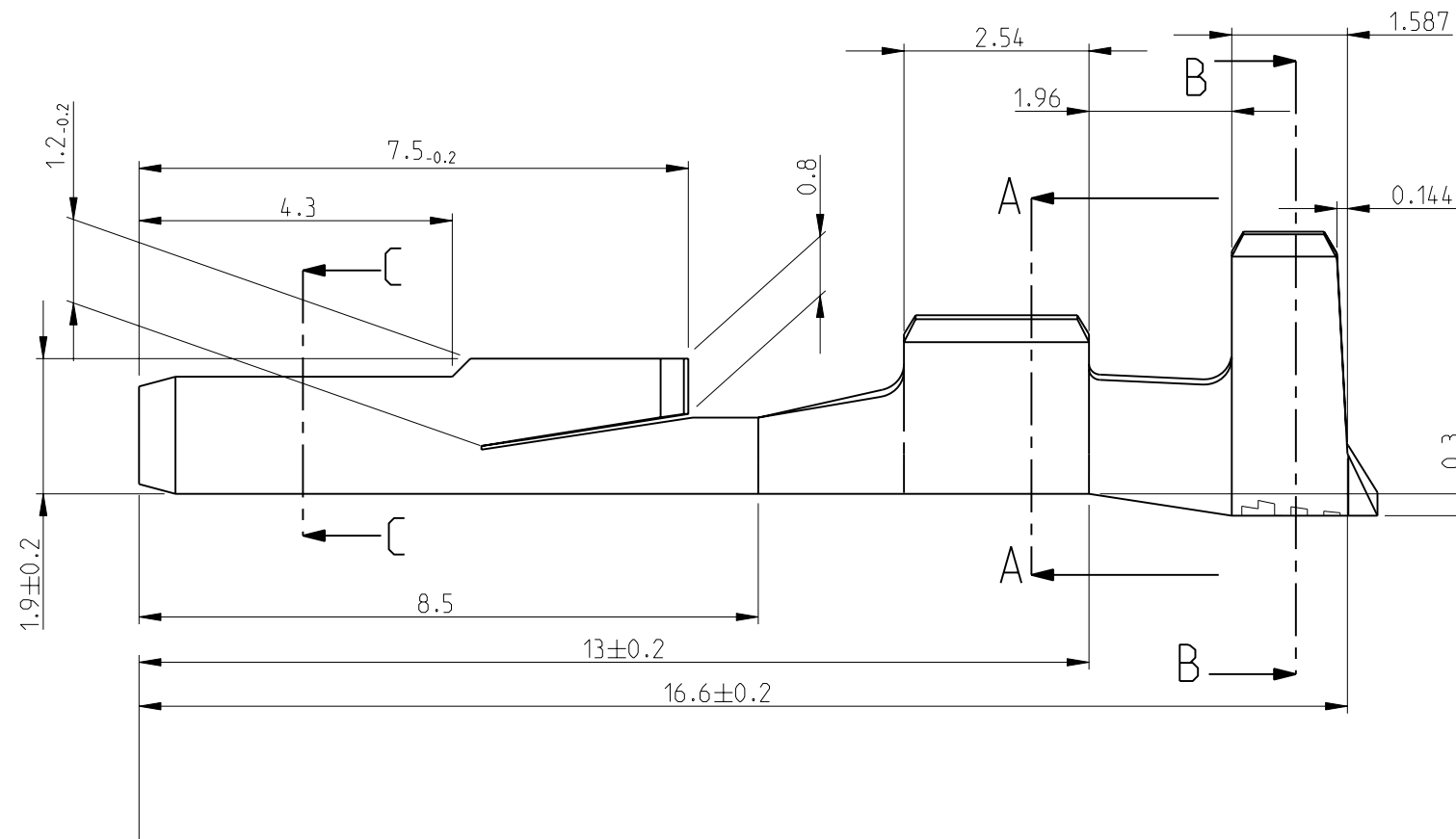
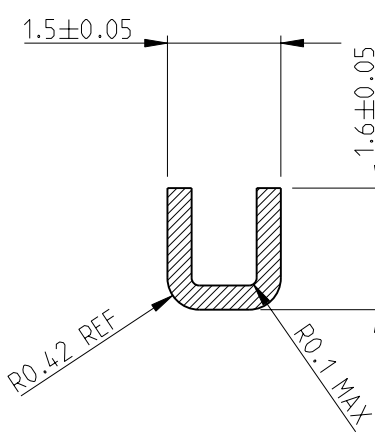
THIS DRAWING IS UNPUBLISHED. RELEASED FOR PUBLICATION 2009  
 © COPYRIGHT 2009 BY TYCO ELECTRONICS CORPORATION. ALL RIGHTS RESERVED.

LOC	DIST	REVISIONS			
P	LTR	DESCRIPTION	DATE	DWN	APVD
A1	-	Released As per ECR-10-004315	26-Feb-2010	C.J	R.P

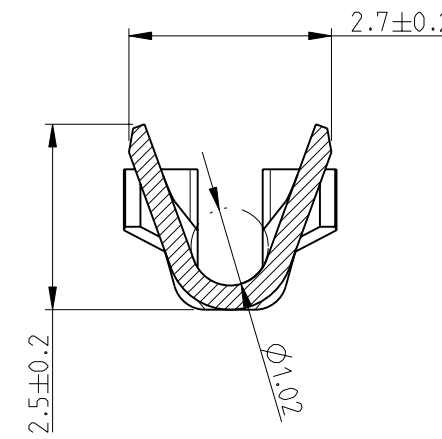


1 REELED ON 24" CARTON TYPE REEL P/N 1-781377-7 WITH INTERLEAVE PAPER STRIP P/N 782504-7, Q.TY/REEL 3,000 CARTON BOX P/N 973051-1 CONTAINING 4 REELS.

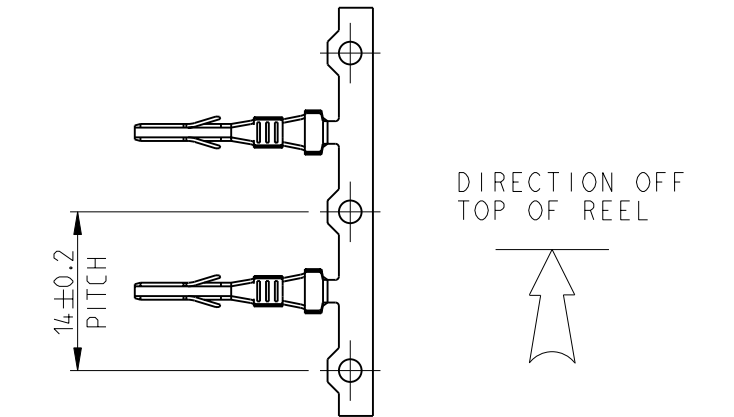
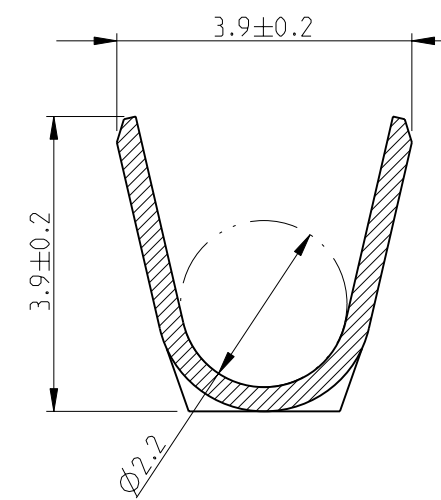
SECTION C-C



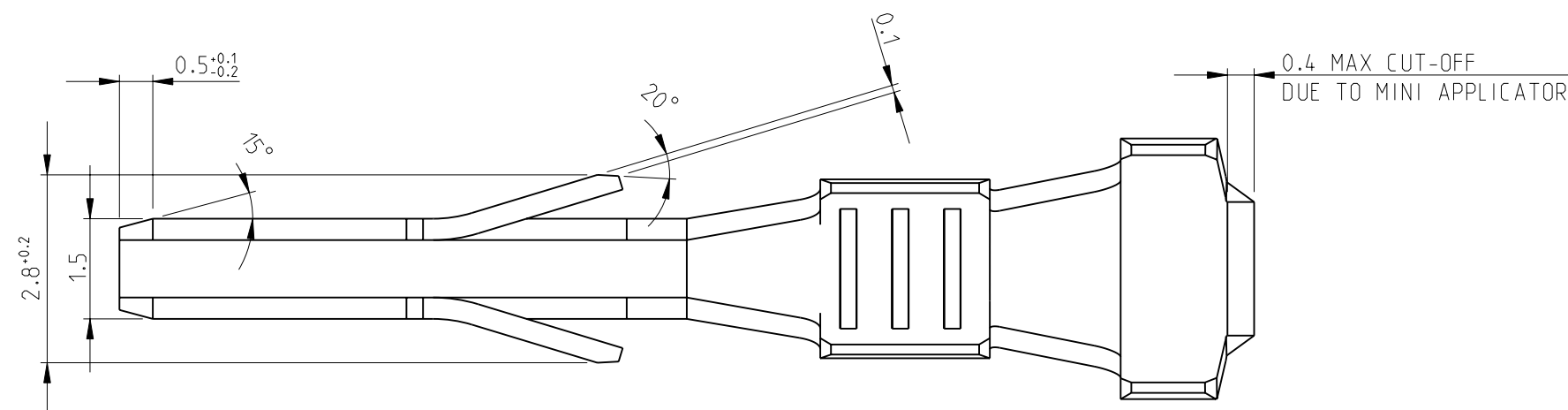
SECTION A-A



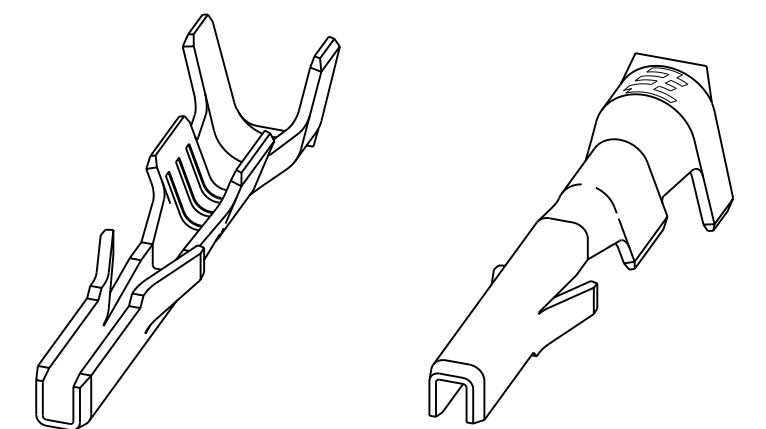
SECTION B-B



2 WIRE RANGE 0.2-0.5 mm<sup>2</sup>  
INSULATION RANGE 1.4-2.5 Ø



NOTE	PRE-TIN PLATED FINISH	BRASS MATERIAL	1955441-1 PART NO	A REV



SCALE 5:1

THIS DRAWING IS A CONTROLLED DOCUMENT FOR TYCO ELECTRONICS CORPORATION IT IS SUBJECT TO CHANGE AND THE CONTROLLING ENGINEERING ORGANIZATION SHOULD BE CONTACTED FOR THE LATEST REVISION.		DWN Chethan.J 1Jul2009	Tyco Electronics Corporation India (P) Ltd Bangalore India		
DIMENSIONS: mm		CHK Rajendra 1Jul2009	NAME CRIMPED TAB CONTACT P.C.B INTERFACE		
TOLERANCES UNLESS OTHERWISE SPECIFIED: 0 PLC ±0.1 1 PLC ±0.05 2 PLC ± 3 PLC ± 4 PLC ± ANGLES ±1°		APVD M.Westen 1Jul2009	SIZE A2	CAGE CODE 00779	DRAWING NO 1955441
MATERIAL FINISH		PRODUCT SPEC -	RESTRICTED TO -	SCALE 10:1 SHEET 1 OF 1 REV A	
		APPLICATION SPEC 114-20115	CUSTOMER DRAWING		
		WEIGHT -			

单击下面可查看定价，库存，交付和生命周期等信息

[>>TE Connectivity\(泰科\)](#)