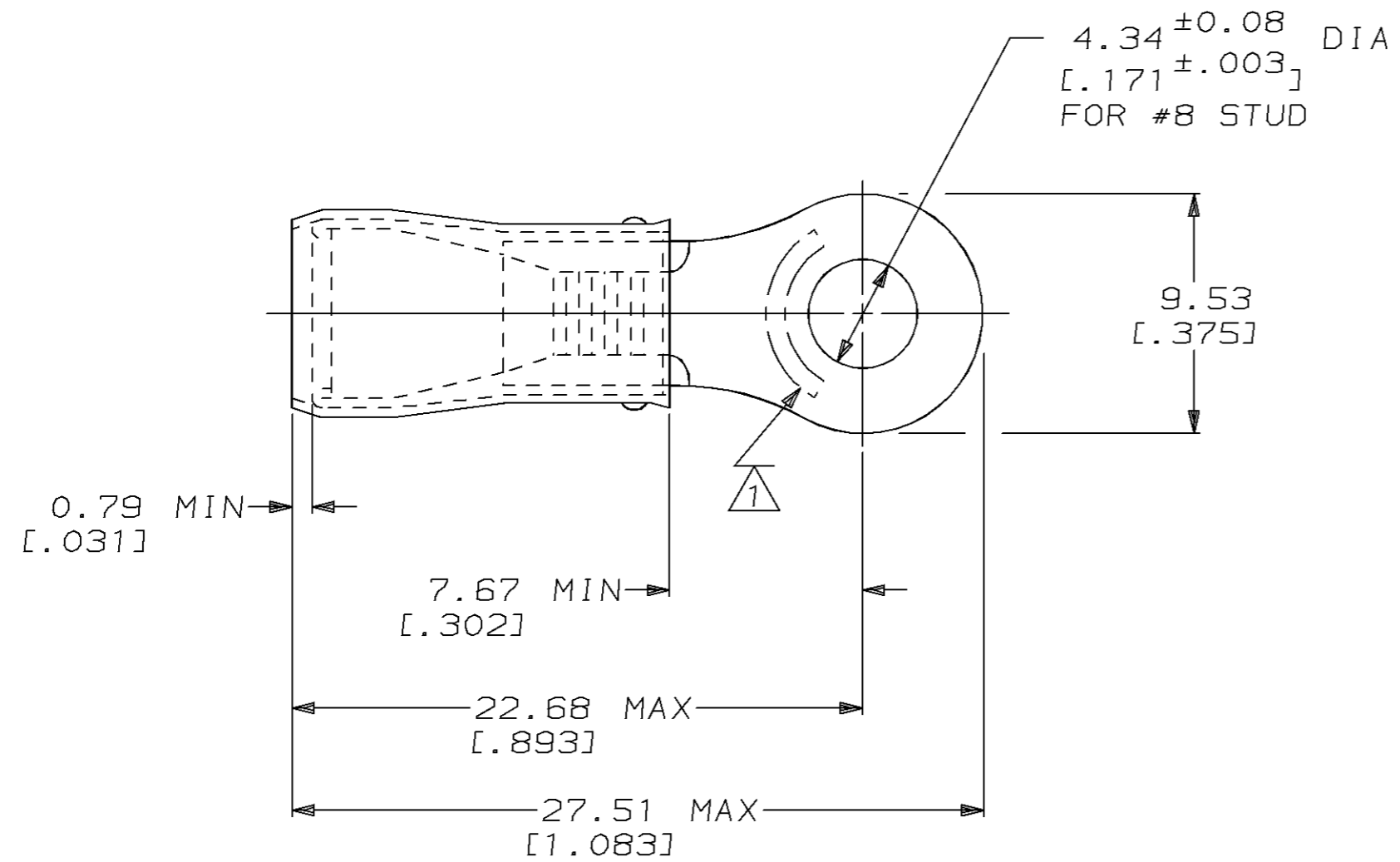


THIS DRAWING IS UNPUBLISHED. RELEASED FOR PUBLICATION, 19 .
 © COPYRIGHT 19 BY AMP INCORPORATED. ALL INTERNATIONAL RIGHTS RESERVED.

| LOC | DIST | P | F | REVISIONS | | | | |
|-----|------|---|---|-----------|-----|---------------------------------|---------|------|
| G | 14 | | | ZONE | LTR | DESCRIPTION | DATE | APPD |
| | | | | | M | OBS 2--4, 2--5 PER 0720-0956-96 | 26JUN96 | MLE |

| | | |
|--------------------------------|--------------------------------|--------------------------------|
| AMP WIRE RANGE | UL E13288 Listed | SR LR7189 Certified |
| 12-10 AWG SOLID OR STRANDED | 12-10 AWG SOLID OR STRANDED | 12-10 AWG SOLID OR STRANDED |



- 1 STAMP AMP 12-10* APPROX AS SHOWN
- 2 WIRE INSULATION DIA: .150 - .230
- 3 TONGUE MATERIAL THK: 0.99^{±0.05} [.039^{±.002}]
- 4 FOR FOREIGN PRODUCTION ONLY

| | | | | | | |
|--|--|---|---|---|--|-----------------|
| AMP INCORPORATED CUSTOMER SERVICE SYSTEMS | | MAX RECOMMENDED OPERATING TEMPERATURE: 105°C MAX | MILITARY P/N AND CLASS | QUANTITY | LOOSE PIECE | 32543 |
| FOR ADDITIONAL PRODUCT INFORMATION OR COPIES OF DRAWINGS AND TECHNICAL DOCUMENTS | PRODUCT INFORMATION CENTER 1-800-522-6752 | VOLTAGE RATING: 300 V MAX | DO NOT SCALE PRINT, UNLESS SPECIFIED. DIMENSIONS IN mm [INCHES]. TOLERANCES ON: 2 PLC DEC ± 0.20 [.008] 3 PLC DEC ± - ANGLES ± - | DR 3/25/93 DK SCHRUM CHK 3/29/93 RE HERSEY APPD 3/29/93 ML ELLIS APPD 3/29/93 M BARNABA PRODUCT SPEC 108-1034 | AMP AMP Incorporated Harrisburg, PA 17105-3608 | |
| FOR APPLICATION TOOLING INFORMATION | TOOLING ASSISTANCE CENTER 1-800-722-1111 | CIRCULAR MIL AREA: 2.62-6.64mm ² [5, 180-13, 100] SOLID OR STRANDED | MATERIAL COPPER PER ASTM B-152 SLEEVE: YELLOW VINYL | APPLICATION SPEC NOT AVAILABLE | NAME TERMINAL, RING TONGUE, P.I.D.G.™ | |
| FOR ORDER ENTRY | 1-800-526-5142 | THIS DRAWING IS A CONTROLLED DOCUMENT FOR AMP INCORPORATED. IT IS SUBJECT TO CHANGE AND THE CONTROLLING ENGINEERING ORGANIZATION SHOULD BE CONTACTED FOR THE LATEST REVISION. | FINISH TIN PLATE PER MIL-T-10727 | WEIGHT - | SIZE B | CAGE CODE 00779 |
| | | | | | DRAWING NO C-32543 | |
| | | | | | SCALE 4:1 | SHEET 1 OF 1 |

单击下面可查看定价，库存，交付和生命周期等信息

[>>TE Connectivity\(泰科\)](#)