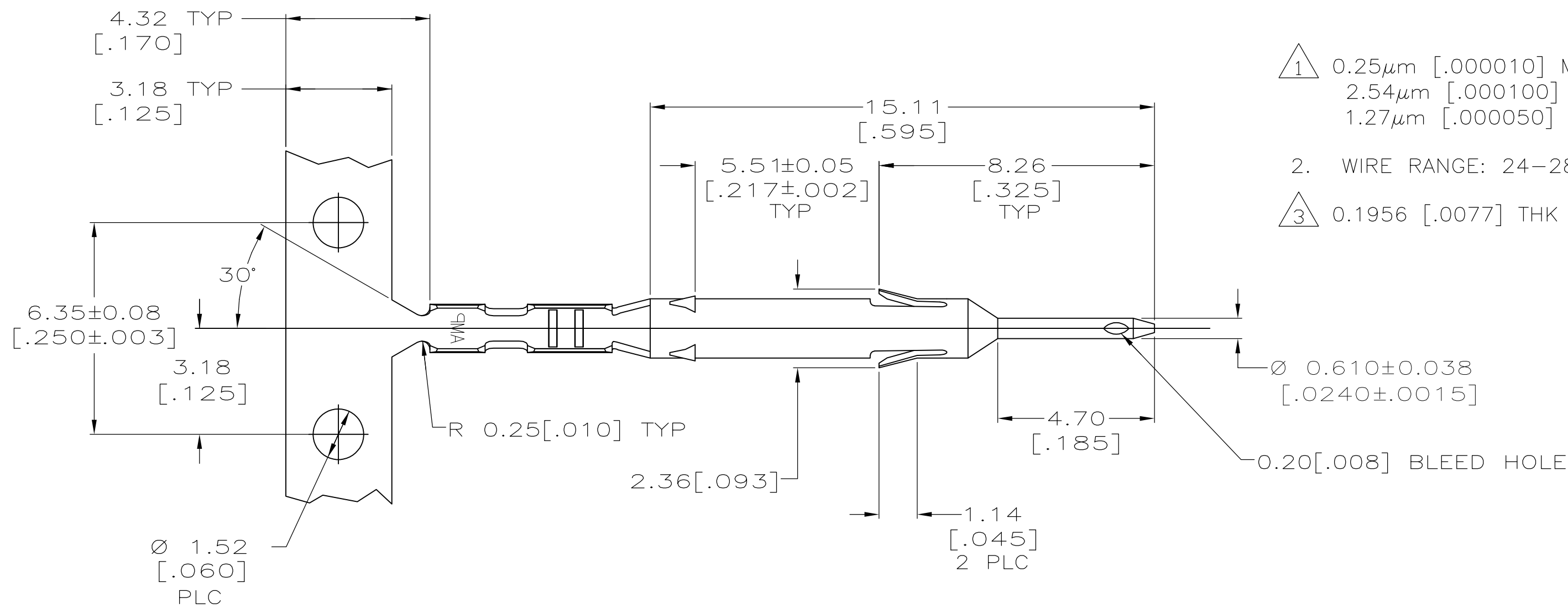
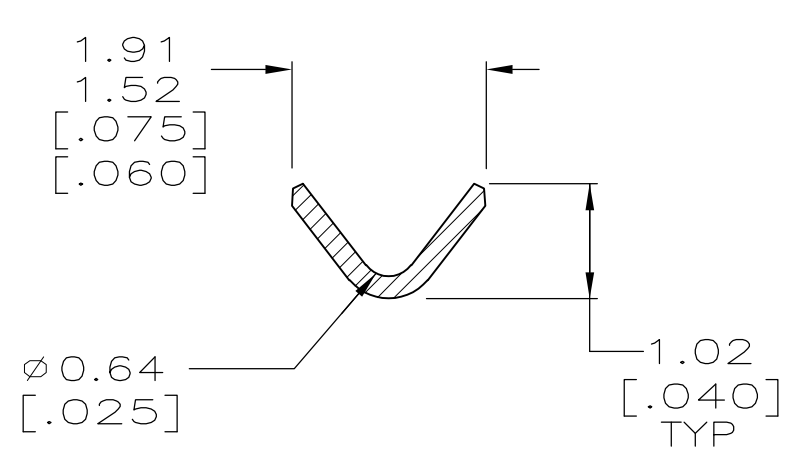
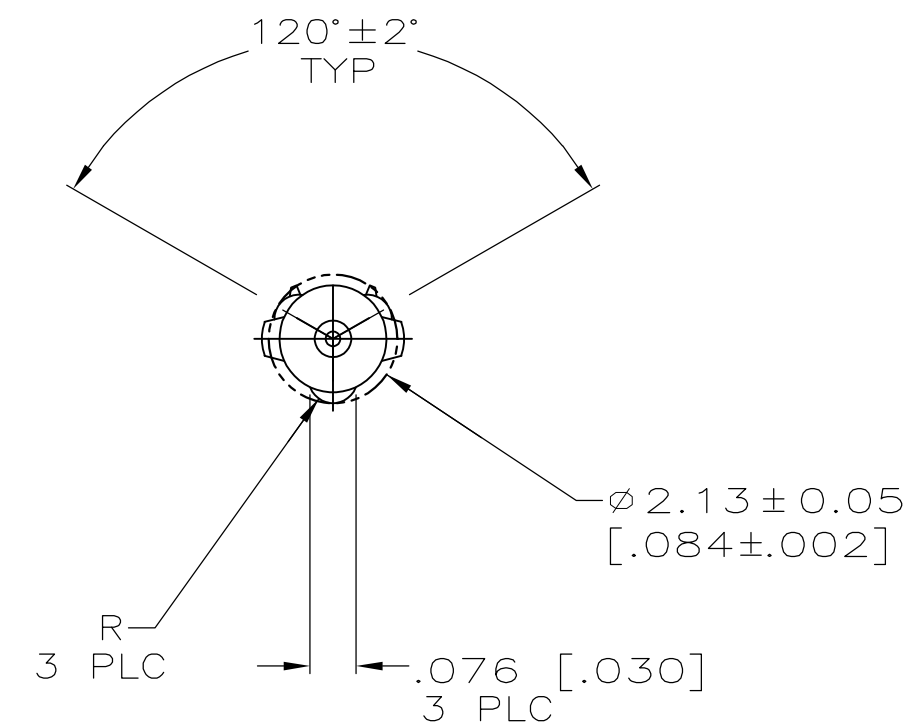
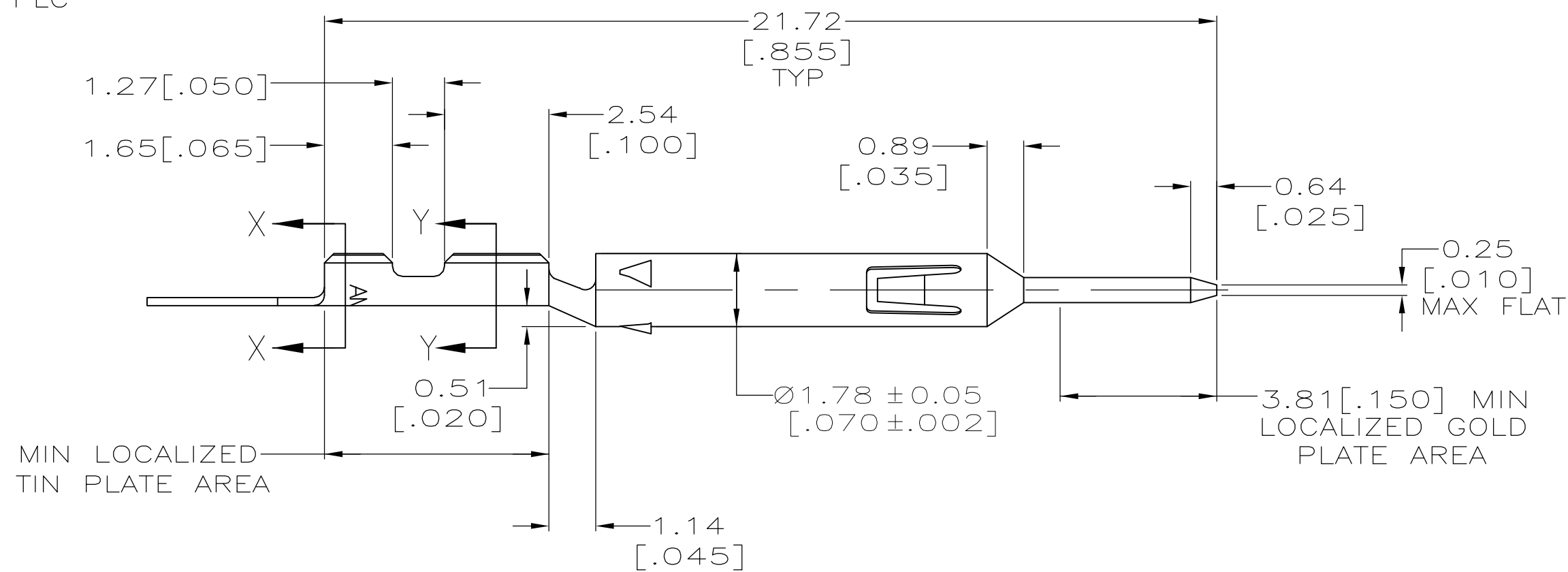


THIS DRAWING IS UNPUBLISHED. RELEASED FOR PUBLICATION
 © COPYRIGHT BY TYCO ELECTRONICS CORPORATION. ALL INTERNATIONAL RIGHTS RESERVED.

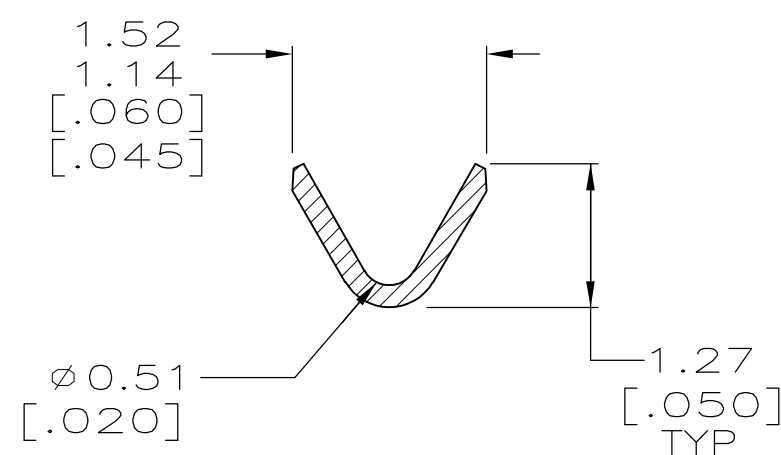
LOC	DIST	REVISIONS			
P	LTR	DESCRIPTION	DATE	DWN	APVD
GP	00	A	REVISED PER ECO-08-027698	13-NOV-08	ZMRCWR



- 1 0.25µm [.000010] MIN GOLD IN LOCALIZED GOLD PLATE AREA, 2.54µm [.000100] MIN TIN IN LOCALIZED TIN PLATE, BOTH OVER 1.27µm [.000050] MIN NICKEL.
- 2. WIRE RANGE: 24-28; INSULATION RANGE: Ø0.51-0.76 [.020-.030].
- 3 0.1956 [.0077] THK BRASS PER ASTM B36.



SECTION X-X
 SCALE 15:1



SECTION Y-Y
 SCALE 15:1

THIS DRAWING IS A CONTROLLED DOCUMENT.		DWN G. ATTADIA - DOCK5 11-11-04	1 5787113-3	
DIMENSIONS: mm [INCHES]		CHK J. GERACE 11-11-04	FINISH	
TOLERANCES UNLESS OTHERWISE SPECIFIED:		APVD M. WALMSLEY 11-11-04	PART NUMBER	
0 PLC ± -	1 PLC ± -	NAME	Tyco Electronics Corporation Harrisburg, PA 17105-3608	
2 PLC ± 0.13 [.005]	3 PLC ± -	PRODUCT SPEC	PIN CONTACT, SPECIAL, AMPLIMITE	
4 PLC ± -	ANGLES ± 2°	APPLICATION SPEC	SIZE A2	CAGE CODE 00779
MATERIAL 3	FINISH SEE TABLE	WEIGHT -	DRAWING NO C=5787113	RESTRICTED TO -
CUSTOMER DRAWING			SCALE 8:1	SHEET 1 of 1

单击下面可查看定价，库存，交付和生命周期等信息

[>>TE Connectivity\(泰科\)](#)