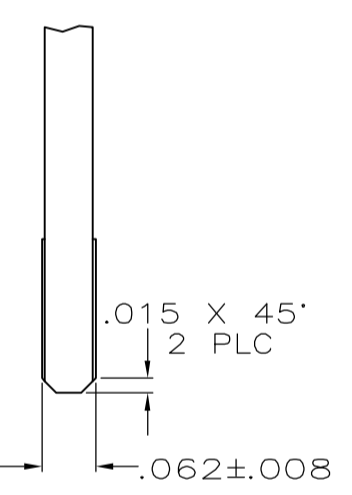
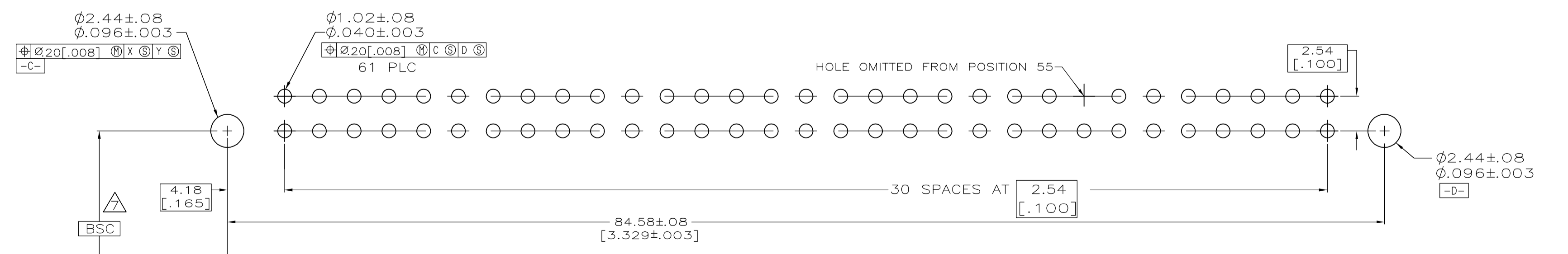


RECOMMENDED MATING BOARD EDGE CONFIGURATION



- 1 HOUSING AND SUPPORT BLOCK: GLASS FILLED POLYESTER; COLOR: BLACK.
- 2 CONTACT: PHOSPHOR BRONZE.
- 3 NICKEL PLATE: 0.00127 [.000050] MIN - ALL OVER.
- 4 MATTE TIN PLATE: 0.00254 [.000100] MIN - SOLDER POSTS.
- 5 GOLD PLATE: 0.00076 [.000030] MIN - CONTACT AREA.
- 6 AMP PART NUMBER, DATE CODE AND CSA LOGO MAY BE MARKED IN APPROXIMATE AREA SHOWN.

7 DATUMS AND BASIC DIMENSIONS ESTABLISHED BY CUSTOMER  
 8. THE MECHANICAL PERFORMANCE OF THIS RIGHT ANGLE CONNECTOR RELIES DIRECTLY ON THE END USER TO SUPPORT THE PC BOARD AND CONNECTOR ASSEMBLY. FAILURE TO DO SO WILL HAVE A NEGATIVE IMPACT ON THE CONNECTORS RELIABILITY.



RECOMMENDED PC BOARD HOLE LAYOUT

31	6364499-1
NO OF POSN	PART NUMBER

THIS DRAWING IS A CONTROLLED DOCUMENT.		DIN AL FRANTUM 17 AUG 05	Tyco Electronics Corporation Harrisburg, Pa 17105-3608
DIMENSIONS: mm		CIK AL FRANTUM 17 AUG 05	
0 PLC ± - 1 PLC ± 0.3 [.010] 2 PLC ± 0.13 [.005] 3 PLC ± - 4 PLC ± - ANGLES ± °		PRODUCT SPEC 108-9039 APPLICATION SPEC	NAME CONNECTOR ASSEMBLY, RIGHT ANGLE, .100CL, 31 DUAL POSITION WITH SUPPORT BLOCK
MATERIAL		WEIGHT	SIZE CASE CODE DRAWING NO. A1 00779 CUSTOMER DRAWING
FINISH		RESTRICTED TO	SCALE 4:1 SHEET 1 OF 1 REV A

单击下面可查看定价，库存，交付和生命周期等信息

[>>TE Connectivity\(泰科\)](#)