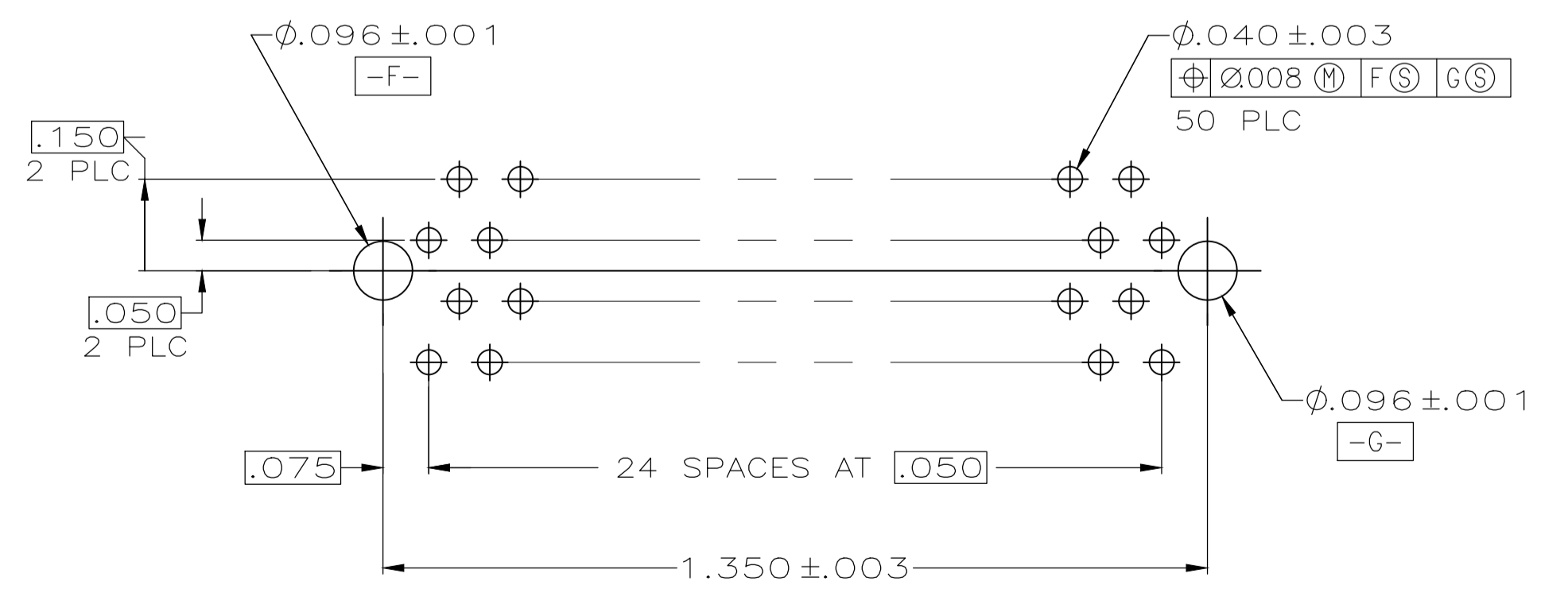
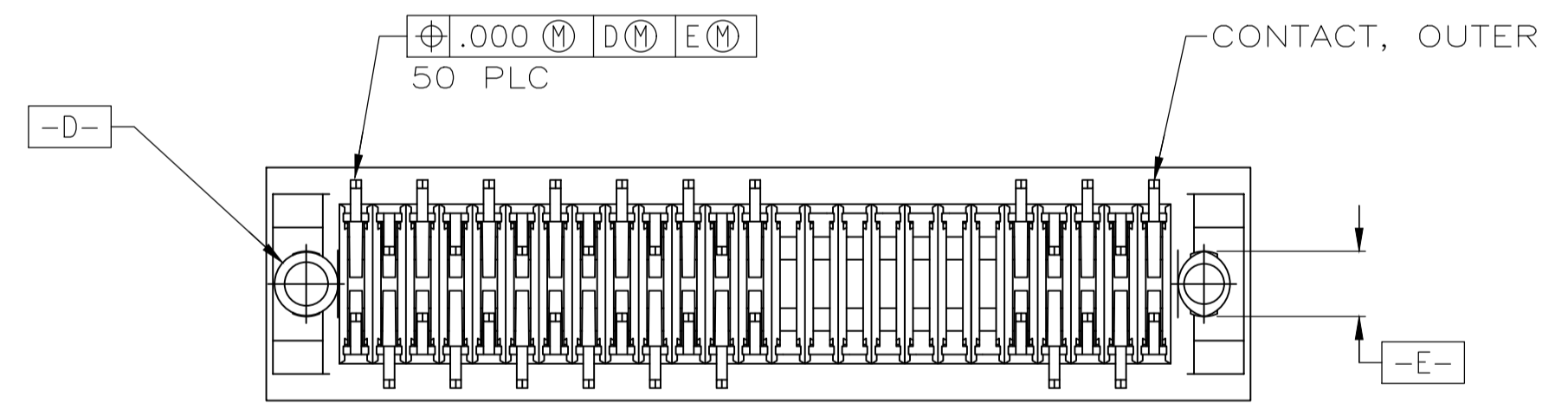
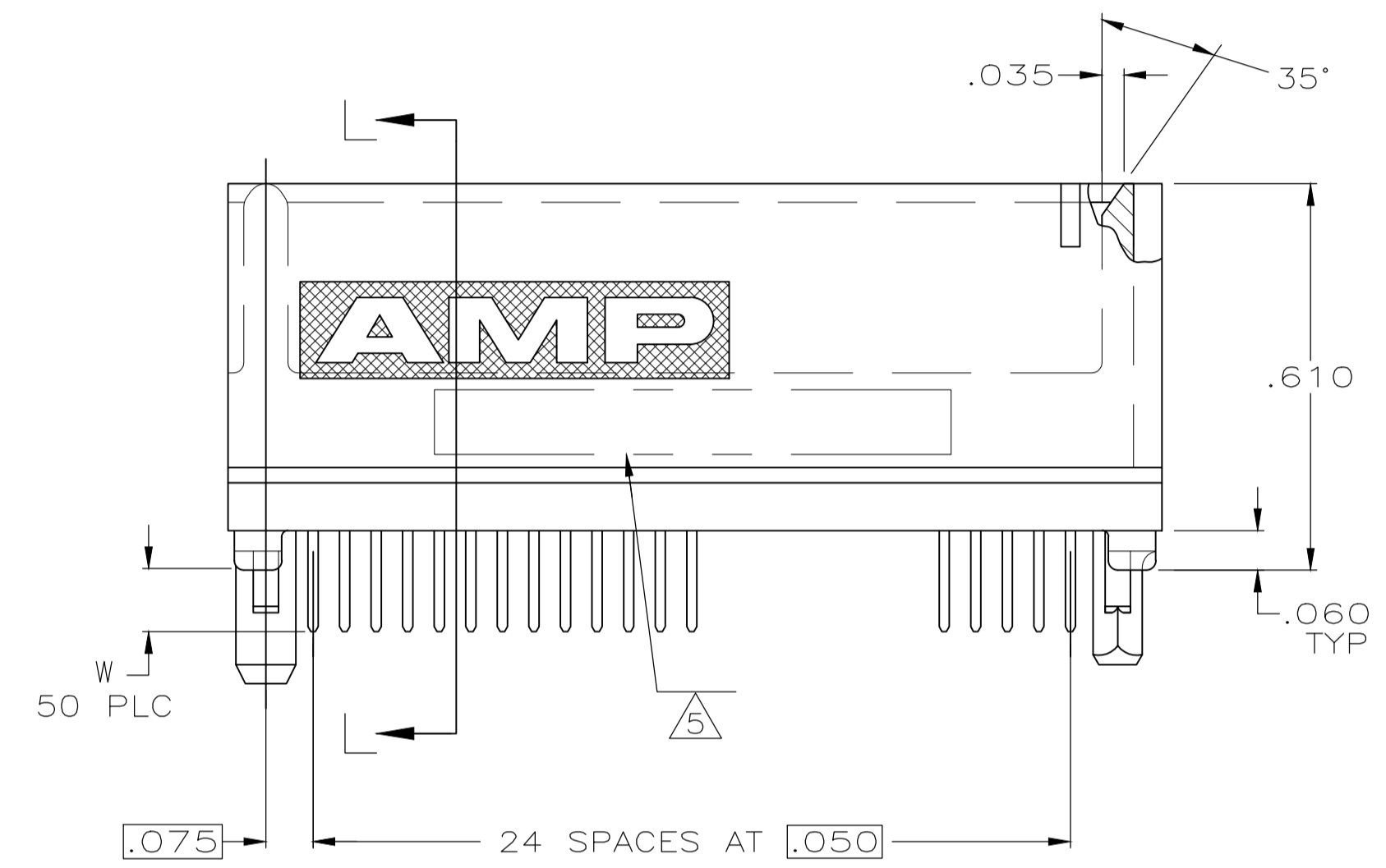
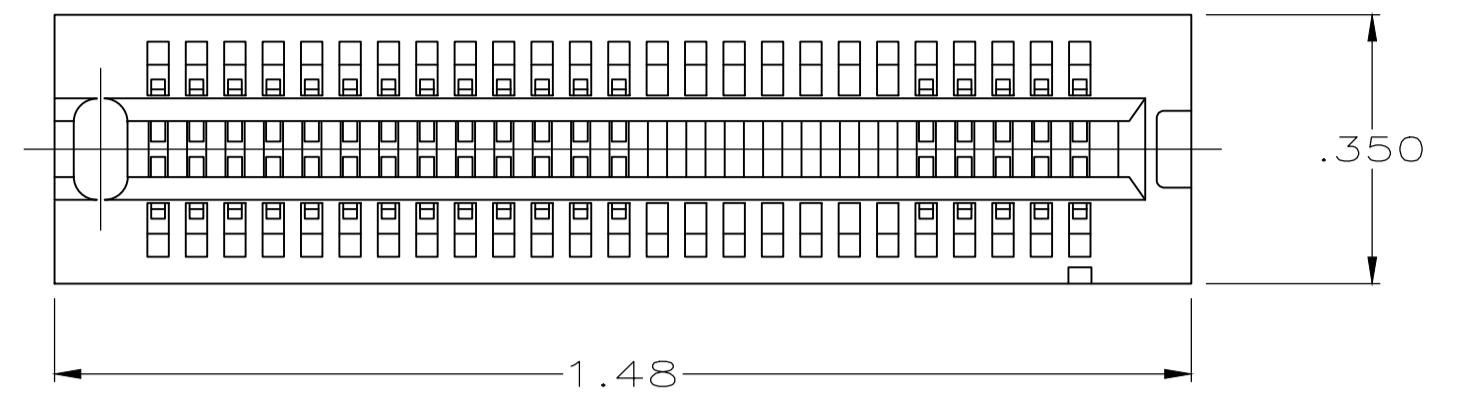
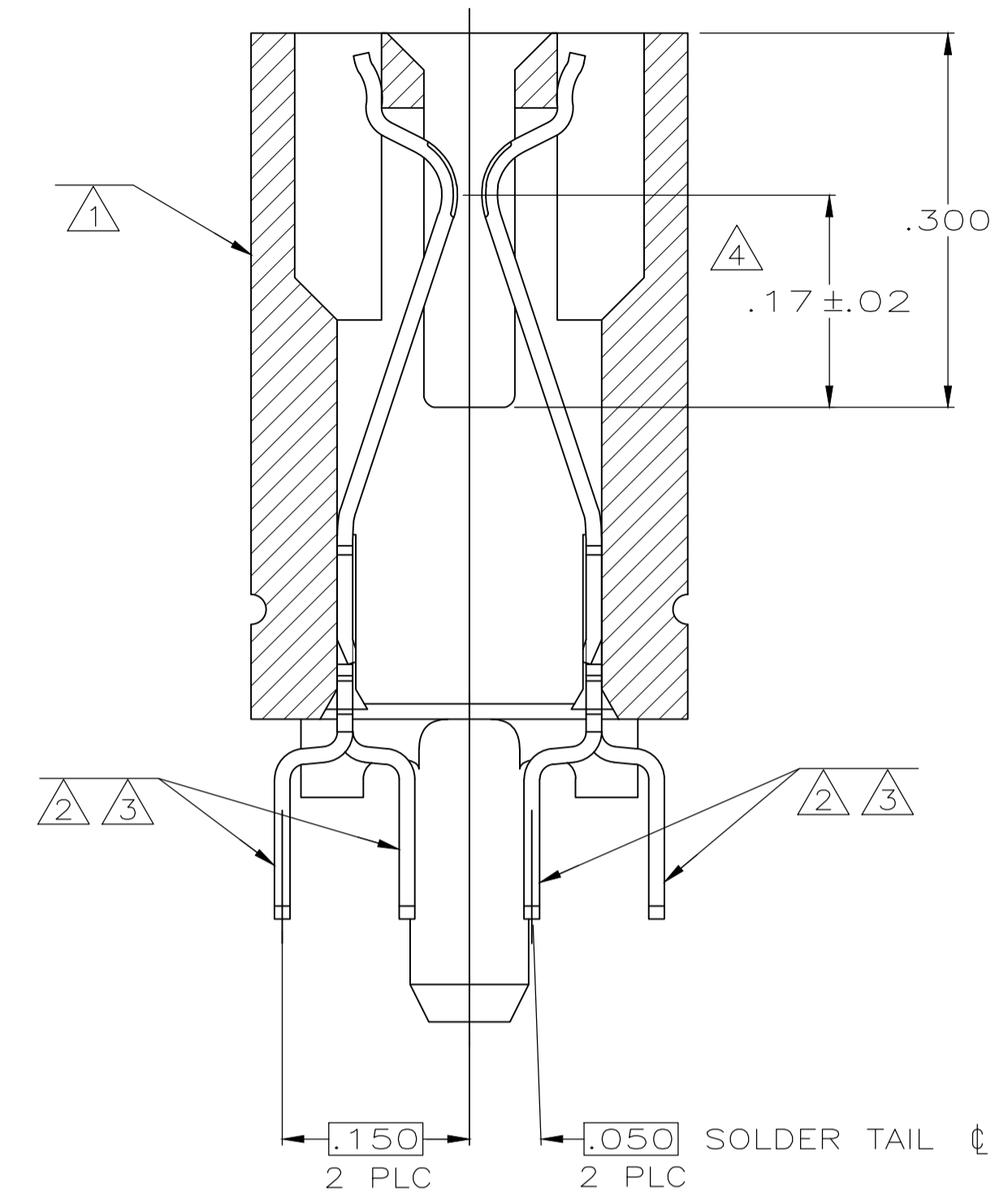


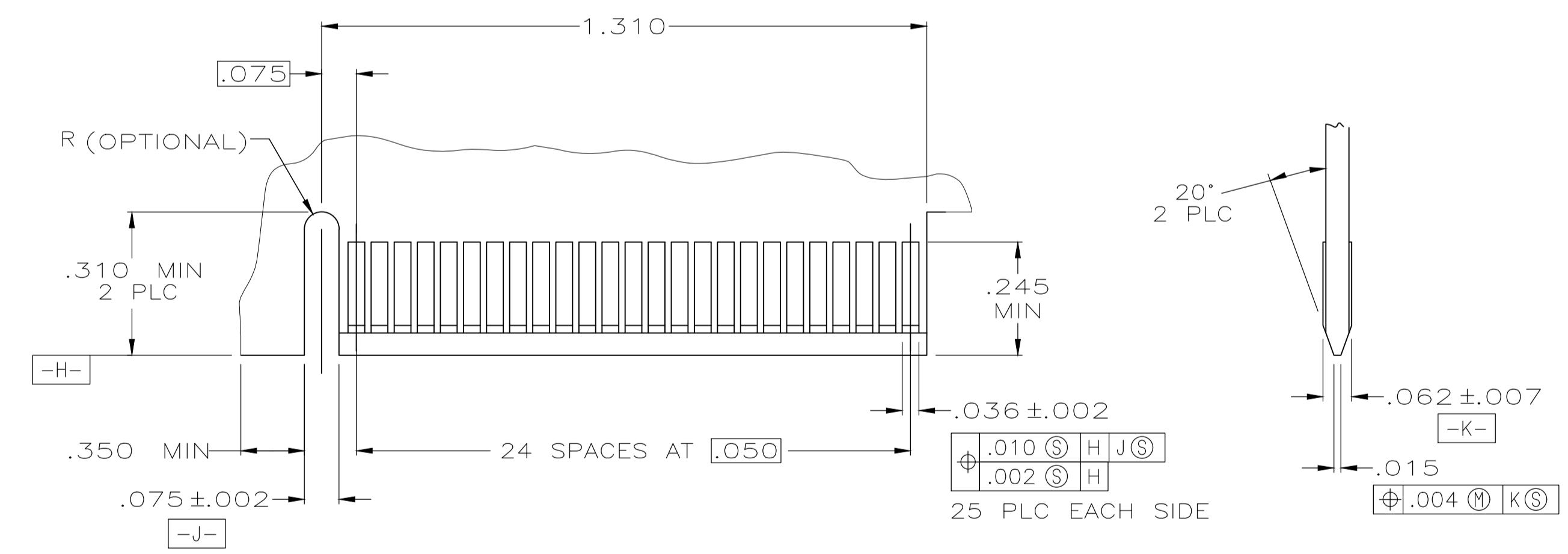
| REVISIONS | | | | | |
|-----------|-----|---------------|-----------|-----|------|
| P | LTR | DESCRIPTION | DATE | DMN | APVD |
| B | | ECO-18-017215 | 03DEC2018 | FL | HL |



RECOMMENDED CONNECTOR MOUNTING HOLE PATTERN (CONNECTOR SIDE SHOWN)



SECTION L-L SCALE 8:1



RECOMMENDED MATING BOARD EDGE CONFIGURATION

- 1 HOUSING: HIGH TEMPERATURE THERMOPLASTIC. COLOR: BROWN.
- 2 CONTACT: PHOSPHOR BRONZE.
- 3 CONTACT FINISH: .000100 MIN NICKEL ALL OVER. .000030 MIN GOLD OVER NICKEL IN CONTACT AREA. .000100 MIN TIN-LEAD OVER NICKEL ON SOLDER TAILS.
- 4 DISTANCE FROM CONTACT POINT TO BOTTOM OF CARD SLOT.
- 5 AMP PART NUMBER, DATE CODE AND CSA LOGO MARKED IN APPROXIMATE AREA SHOWN.
- 6 PINS NO. 11 THRU NO.24 ARE NOT LOADED INTO HOUSING.

| | | | | | | | |
|--|--|--|--|-------------------------------|--|---|--|
| THIS DRAWING IS A CONTROLLED DOCUMENT. | | DMN: R. GRZYBOWSKI 13JUN08 | | APVD: S. FLICKINGER 13JUN08 | | NAME: CONNECTOR ASSEMBLY, END KEYED, 25 DUAL POSITION, .050 SERIES. | |
| DIMENSIONS: INCHES | | TOLERANCES UNLESS OTHERWISE SPECIFIED: | | PRODUCT SPEC: 108-14034 | | APPLICATION SPEC: 114-26012 | |
| 0 PLC ± - | | 1 PLC ± .01 | | SIZE: A1 | | CAGE CODE: 00779 | |
| 1 PLC ± .01 | | 2 PLC ± .005 | | WEIGHT: 0.000000 | | DRAWING NO: 1489982 | |
| 2 PLC ± .005 | | 3 PLC ± - | | CUSTOMER DRAWING | | SCALE: 4:1 | |
| 3 PLC ± - | | 4 PLC ± - | | SHEET: 1 OF 1 | | REV: B | |
| 4 PLC ± - | | ANGLES ± - | | FINISH: HOUSING: 1 CONTACT: 3 | | SHEET: 1 OF 1 | |

单击下面可查看定价，库存，交付和生命周期等信息

[>>TE Connectivity\(泰科\)](#)