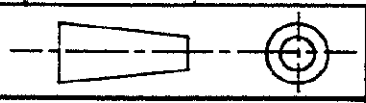


U.A.D. FILE CODE
S.C343888.1

DO NOT SCALE DIMENSIONS IN MM.
DIMENSIONS THUS () IN INCHES.



NOTES

1. MATES WITH 343886-1.
2. RECEIVES CONTACT No. 583293-2.
3. PERFORMANCE AS PER AMP PRODUCT SPECIFICATION 108-3080.
4. MOUNTING DETAILS: PCB TO MOUNTING PLATE DAYLIGHT 22.20 (.874) MIN. OVERALL MATED HEIGHT 25.50 MAX.
5. CONSULT AMP GB. ENGINEERING FOR FURTHER INFORMATION.

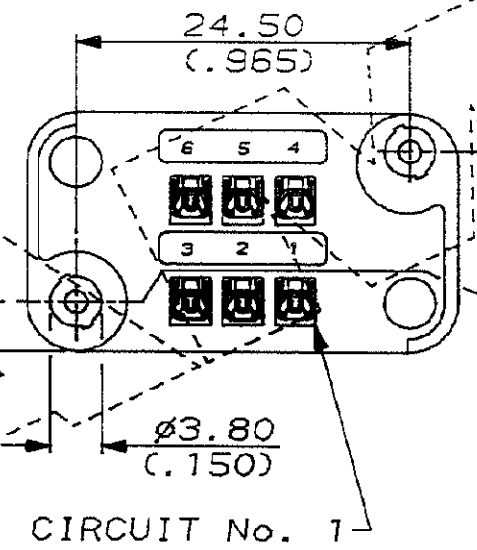
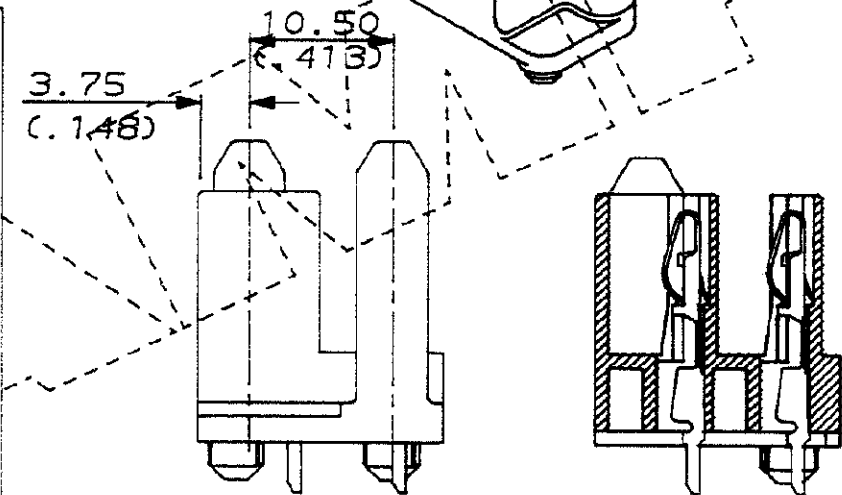
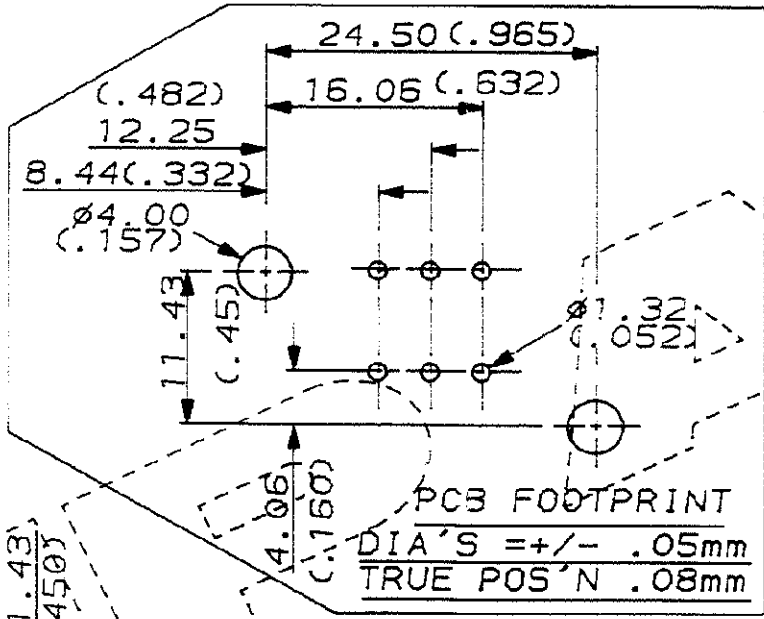
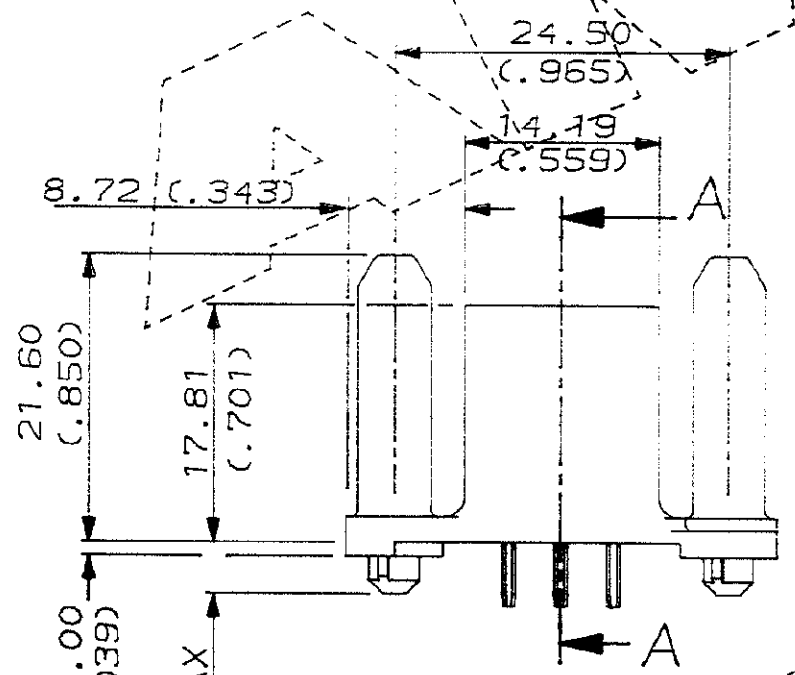
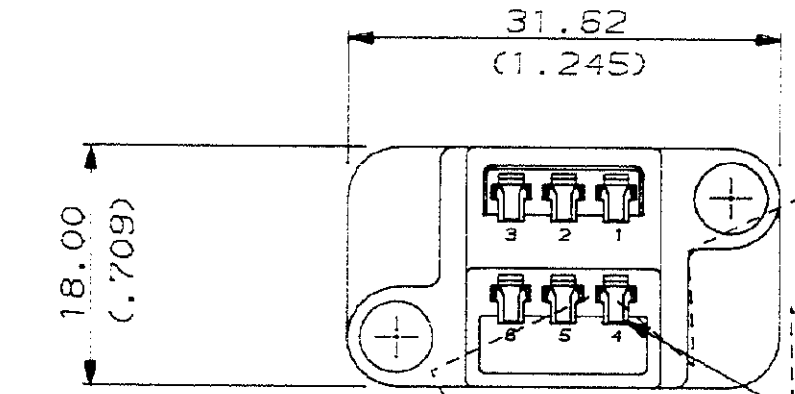
MOULDING ONLY
343886-1
FOR ASSEMBLY USE
CONTACT 343371-1

MOULDING ONLY
343887-1
FOR ASSEMBLY USE
CONTACT 583294-2
ASSEMBLY PART No.
343888-1 OR -2

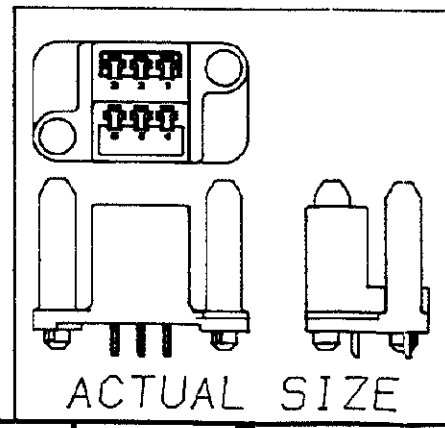
CONTACT IN CIRCUIT 4
OMITTED FOR 343888-1

PCB FOOTPRINT
DIA'S = +/- .05mm
TRUE POS'N .08mm

SECTION A - A



CIRCUIT No. 1



ACTUAL SIZE

ASSEMBLIES NOT AVAILABLE FROM AMP GB

6-WAY PCB HEADER, CONTACTS ALL POSITIONS		343888-2	
6-WAY PCB HEADER, NO CONTACT IN POSITION 4		343888-1	
DESCRIPTION		PART NUMBER	
CUSTOMER DWG FOR REFERENCE ONLY		RELEASED FOR PUBLICATION 13 DEC 1988	
© COPYRIGHT 1988 BY AMP OF GREAT BRITAIN LTD. ALL INTERNATIONAL RIGHTS RESERVED. ALL PRODUCTS MAY BE COVERED BY BRITISH AND FOREIGN PATENTS AND/OR PATENTS PENDING.		DR. A. J. BEKEN 13 DEC 1988	
TOLERANCES UNLESS OTHERWISE STATED: DEC ± 0.5 ANGLES ± 1°		CH. R. W. BAKER APP. R. W. BAKER	
NAME PCB HEADER ASSEMBLY		AMP of Great Britain Ltd. TERMINAL HOUSE STANMORE MIDDX.	
1	FIRST ISSUE	13-12-88	SCALE LOC SIZE DWG.No. REV SHEET
REV	APPROVED	ECN	DATE
			2/1 E A3 C343888 1 1/1

单击下面可查看定价，库存，交付和生命周期等信息

[>>TE Connectivity\(泰科\)](#)