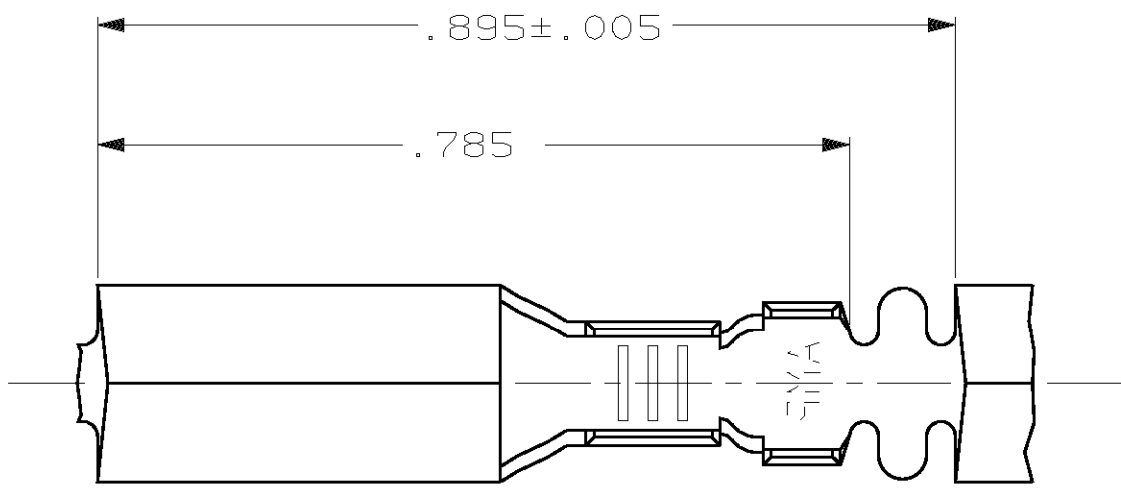
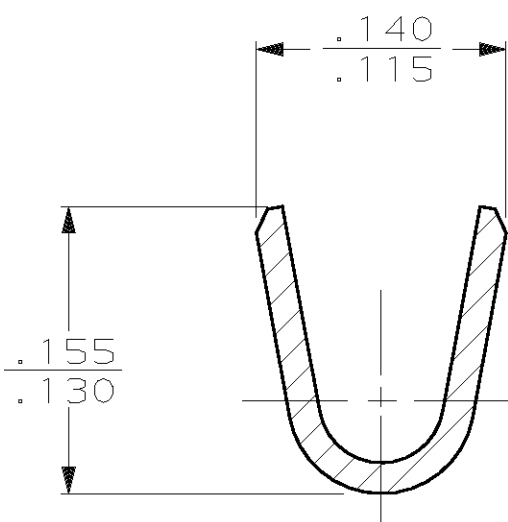
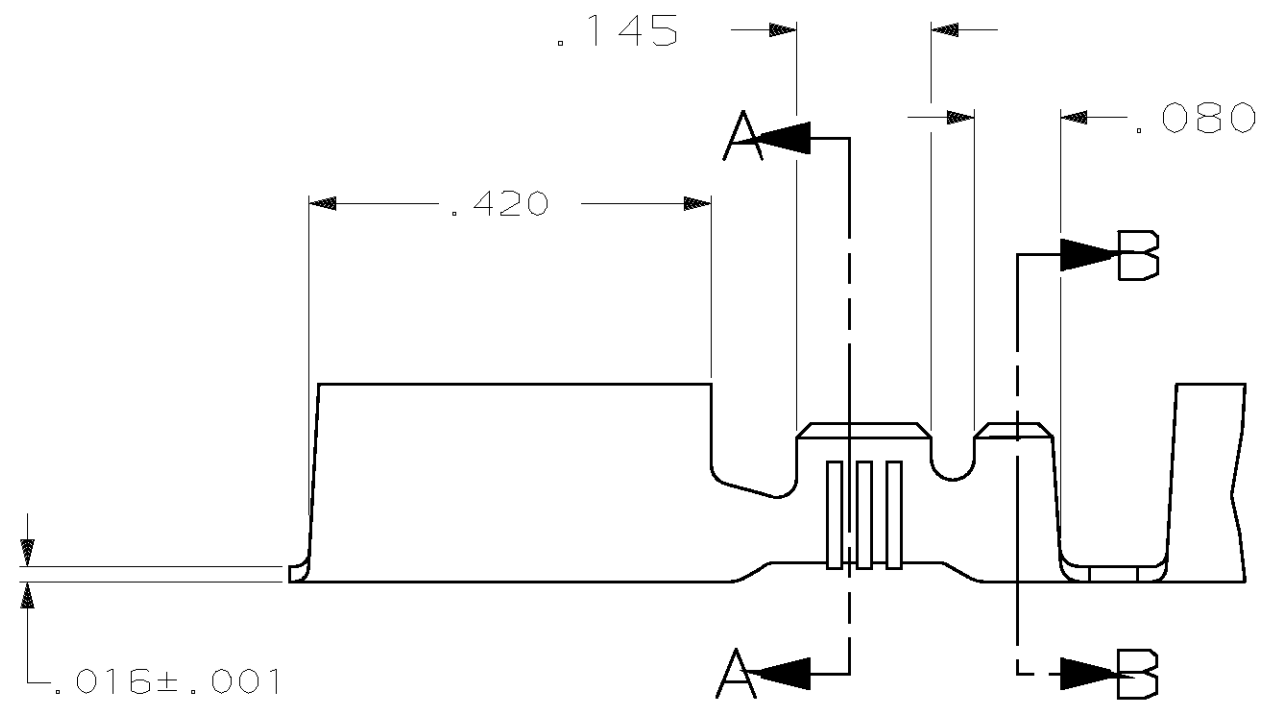
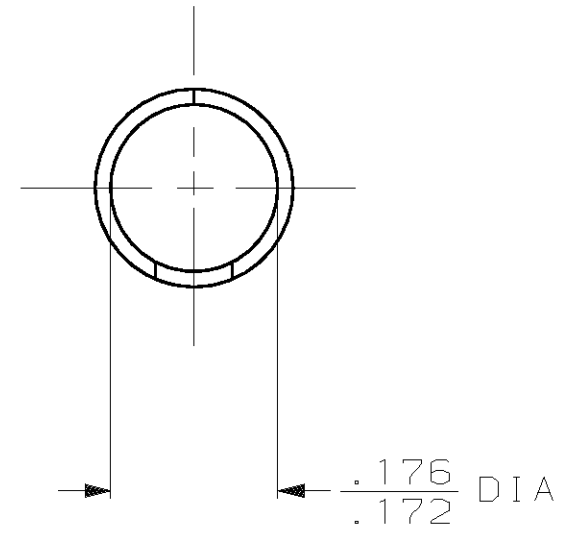


THIS DRAWING IS UNPUBLISHED. RELEASED FOR PUBLICATION  
 © COPYRIGHT 19 BY AMP INCORPORATED. ALL INTERNATIONAL RIGHTS RESERVED.

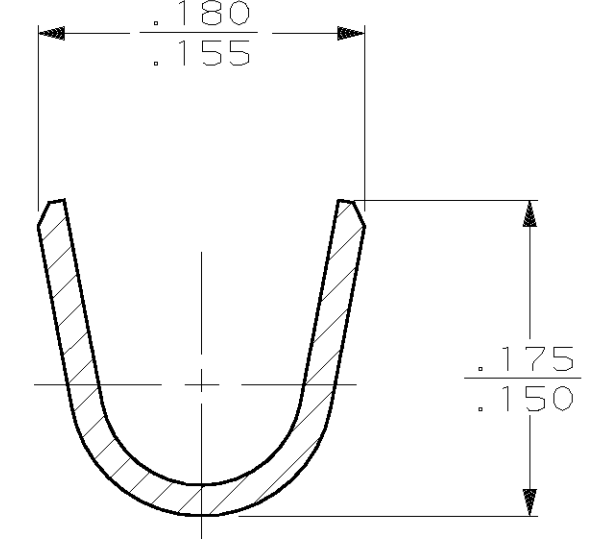
LOC		DIST		P		F		REVISIONS		DATE	APPD
ZONE	LTR	DESCRIPTION		DATE	APPD						
AF	50					5	REV PER 063A-0403-01	28 Jun 01	JR/DD		



- 1 CONTINUOUS STRIP ON REELS
- 2 PRE-PLATE .000100 MIN TIN OVER .000050 MIN NICKEL, POST PLATE .000080 MIN TIN PER MIL-T-10727
- 3 .000080 MIN TIN PL PER MIL-T-10727.
- 4 WITH INTERLEAVING PAPER.
- 5 PRELIMINARY - NOT FOR PRODUCTION.



SECTION A-A  
SCALE 10:1



SECTION B-B  
SCALE 10:1

MATERIAL	FINISH	INSULATION DIA	WIRE RANGE	PART NO
4M BRASS	3	.090-.125	18-14	4 60799-6
4M BRASS	3			5 60799-5
PHOS BRONZE	2			60799-4
4M BRASS				60799-2

TYPE	WIDTH	STRIP LENGTH ±.015	TYPE	WIDTH	±.002 HEIGHT	WIRE
F OR O	.140	.210	F	.100	.077	14
					.067	16
					.061	18
INSUL BARREL CRIMP			WIRE BARREL CRIMP			

DO NOT SCALE PRINT. UNLESS SPECIFIED DIMENSIONS IN INCHES TOLERANCES ON :  
 2 PLC DEC ± -  
 3 PLC DEC ± .015  
 ANGLES ± 1°

DR 12/13/88 P FORTNEY  
 CHK 6/14/89 MS FEHER  
 APPD 6/14/89 G YETTER  
 APPD 6/14/89 R KUZO

AMP INCORPORATED  
 Harrisburg, Pa. 17105

NAME: RECEPTACLE, SHUR PLUG, .180 DIA

FINISH: SEE TABLE  
 APPLICATION SPEC: -  
 WEIGHT: -

SIZE: C  
 FSCM NO: 00779  
 DRAWING NO: 60799  
 SCALE: 5:1  
 SHEET: 1 OF 1

单击下面可查看定价，库存，交付和生命周期等信息

[>>TE Connectivity\(泰科\)](#)