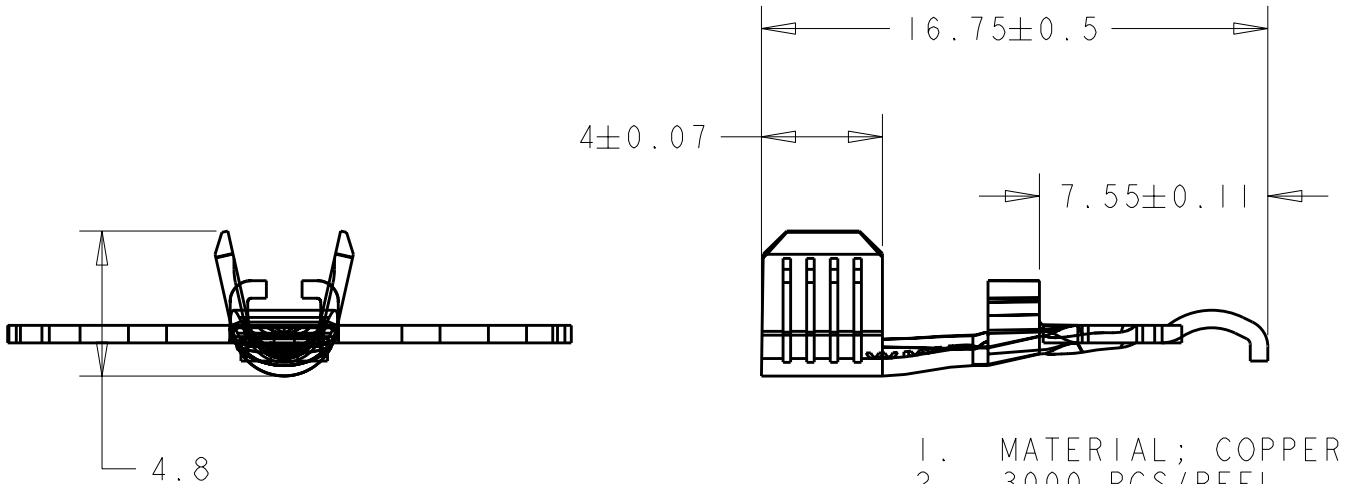


| LOC | DIST | REVISIONS | | | | | |
|-----|------|-----------|-----|--------------------------------------|-----------|-----|------|
| CM | 0 | P | LTR | DESCRIPTION | DATE | DWN | APVD |
| | | | 2 | ADDED -2, REVISED NOTE 1 | 06FEEB03 | BH | RW |
| | | | 3 | REVISED, ADDED DIMS AND TESTING NOTE | 10-2-03 | GD | RW |
| | | | A | ECO-08-008100 | 01APR2008 | KW | SR |

THIS PRODUCT HAS PASSED VERIFICATION AND AGENCY APPROVALS TESTING AND IS COMPONENT RECOGNIZED PER UL 1977 AND CSA 22.2. TYCO ELECTRONICS PRODUCT QUALIFICATION TESTING IS NOT YET COMPLETE.



1. MATERIAL; COPPER
2. 3000 PCS/REEL

METRIC

| | |
|--------|-------------|
| TIN | 1604112-2 |
| SILVER | 1604112-1 |
| FINISH | PART NUMBER |

| | | | |
|--|-------------------------------------|---|--------------------|
| DIMENSIONS: mm | DWN B. HAYMAKER 11APR2002 | MATERIAL - | FINISH - |
| | CHK K. KETELSLEGER 11APR2002 | Tyco Electronics Harrisburg, PA 17105-3608 | |
| TOLERANCES UNLESS OTHERWISE SPECIFIED: | APVD K. KETELSLEGER 11APR2002 | NAME CONTACT, 30 AMP POWER PRODUCT (12-16 AWG) | |
| | PRODUCT SPEC - | SIZE A4 | CAGE CODE 00779 |
| 0 PLC ±0.13 | APPLICATION SPEC - | DRAWING NO C-1604112 | RESTRICTED TO - |
| 1 PLC ±0.13 | WEIGHT - | SCALE 4:1 | SHEET 1 |
| 2 PLC ±0.13 | CUSTOMER DRAWING | OF 1 | REV A |
| 3 PLC ±0.13 | | | |
| 4 PLC ±- | | | |
| ANGLES ±30' | | | |

单击下面可查看定价，库存，交付和生命周期等信息

[>>TE Connectivity\(泰科\)](#)