

THIS DRAWING IS UNPUBLISHED.

RELEASED FOR PUBLICATION

2009

© COPYRIGHT 2009 BY -

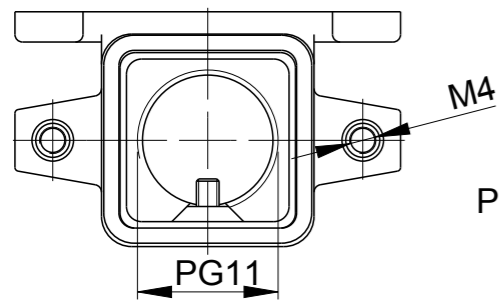
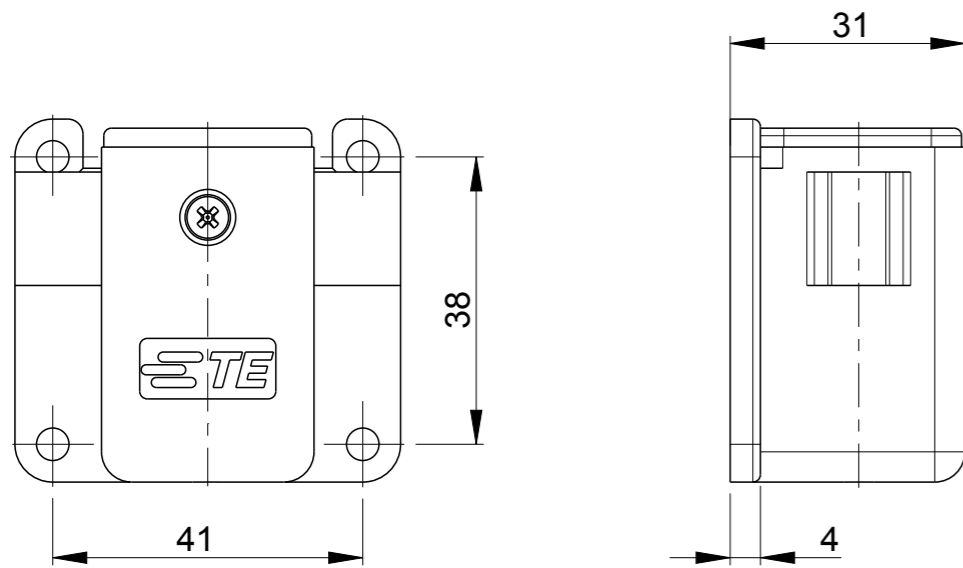
ALL RIGHTS RESERVED.

REVISIONS

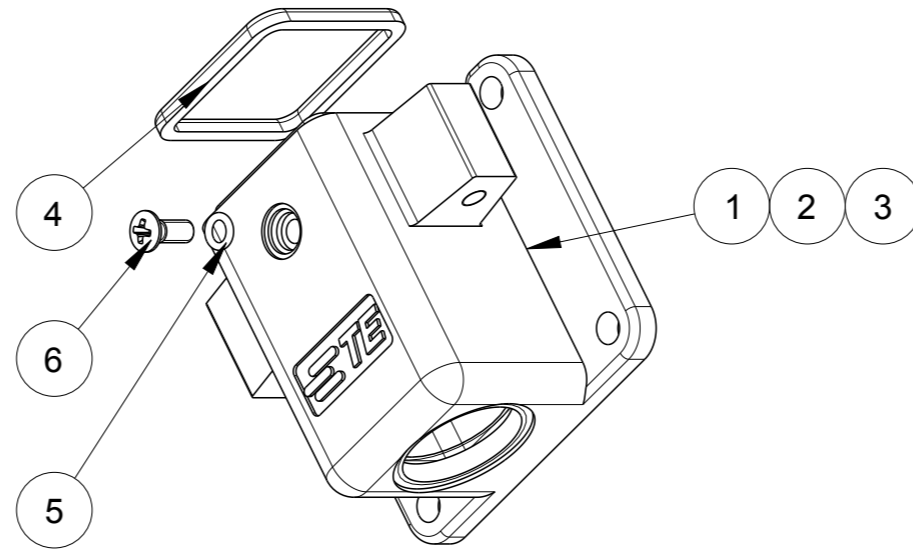
P	LTR	DESCRIPTION	DATE	DWN	APVD
A5		ECR-09-023155	22OCT2009	VG	AR
B		ECR-16-001983	18MAY2016	GCM	JB
C		ECR-16-014579	25APR2017	GCM	JB
C1		ECR-17-014011	16JAN2018	RSM	MKO

Notes

- 1 SUITABLE HOUSINGS: SERIES HIP, SIZE 1
CUSTOMER DRAWING 1102600, 1106408, 1106200
- 2 STANDARDS:
DIN EN 61984, DIN EN 60664-1
- 3 TOOL:
PHILLIPS SCREWDRIVER PH1.
- 4 VARNISH ON INSIDE AREA NOT NECESSARY
- 5 PACKAGING:
10 SETS IN A CARTON,




PN 1-5 AS SHOWN



2-1102601-5	HIP-K.3/4.SG.1.11.G
OBSOLETE 1-1102601-5	HIP.3/4.SG.1.11.G
PART NO.	ORDERING TEXT

PN/QTY	DESCRIPTION	MATERIAL	COLOR/SURFACE	NOTE	ITEM
1	1 SCREW COUNTERSUNK RAISED HEAD	STAINL. STEEL V2A	-	M3x8 PH1 DIN EN ISO 7047	6
1	1 O - RING	NBR	BLACK	3.0x1.0	5
1	1 PROFILE SEAL	FKM	BLACK	SERIES EMV / HIP	4
1	- ANGLED SURFACE MOUNTED HOUSING	ALU	BLACK	SERIES HIP-K	2
-	1 ANGLED SURFACE MOUNTED HOUSING	ALU	GREY	SERIES HIP	1

PARTS LIST (PER ONE UNIT)

THIS DRAWING IS A CONTROLLED DOCUMENT.		DWN	25AUG2009	 TE Connectivity ANGLED SURFACE MOUNTED HOUSING ASS'Y SIDE ENTRY, SERIES HIP, SIZE 1											
DIMENSIONS: mm		CHK	25AUG2009												
TOLERANCES UNLESS OTHERWISE SPECIFIED:		APVD	25AUG2009												
<table border="0"> <tr><td>0 PLC</td><td>±-</td></tr> <tr><td>1 PLC</td><td>±-</td></tr> <tr><td>2 PLC</td><td>±-</td></tr> <tr><td>3 PLC</td><td>±-</td></tr> <tr><td>4 PLC</td><td>±-</td></tr> <tr><td>ANGLES</td><td>±1°</td></tr> </table>		0 PLC	±-		1 PLC	±-	2 PLC	±-	3 PLC	±-	4 PLC	±-	ANGLES	±1°	PRODUCT SPEC
0 PLC	±-														
1 PLC	±-														
2 PLC	±-														
3 PLC	±-														
4 PLC	±-														
ANGLES	±1°														
MATERIAL	-	FINISH	-	<table border="0"> <tr> <td>SIZE</td> <td>CAGE CODE</td> <td>DRAWING NO</td> <td>RESTRICTED TO</td> </tr> <tr> <td>A3</td> <td>00779</td> <td>C-1102601</td> <td></td> </tr> </table>	SIZE	CAGE CODE	DRAWING NO	RESTRICTED TO	A3	00779	C-1102601				
SIZE	CAGE CODE	DRAWING NO	RESTRICTED TO												
A3	00779	C-1102601													
CUSTOMER DRAWING		WEIGHT	-	SCALE	1:1										
				SHEET	1 OF 1										
				REV	C1										

单击下面可查看定价，库存，交付和生命周期等信息

[>>TE Connectivity\(泰科\)](#)