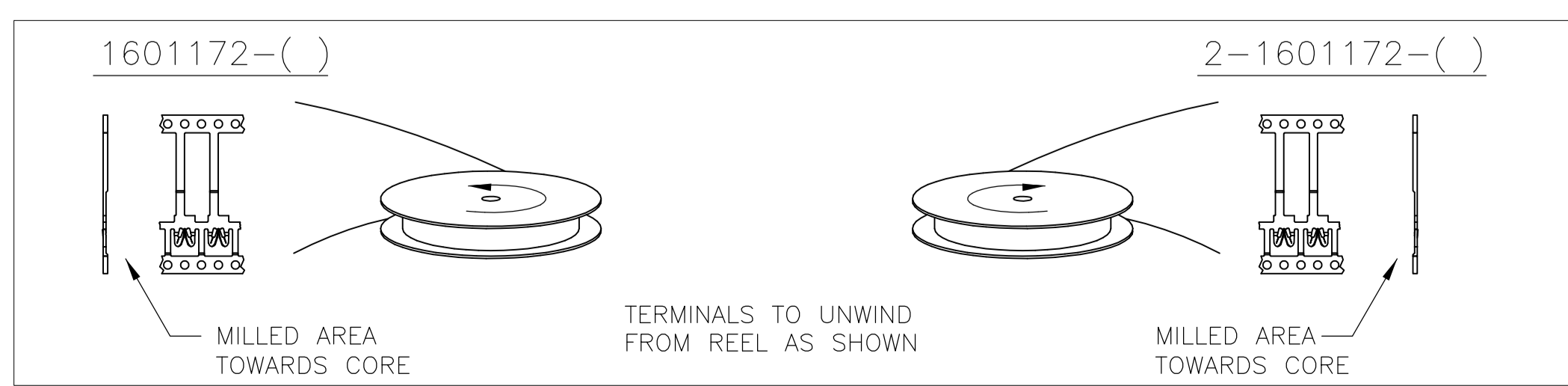
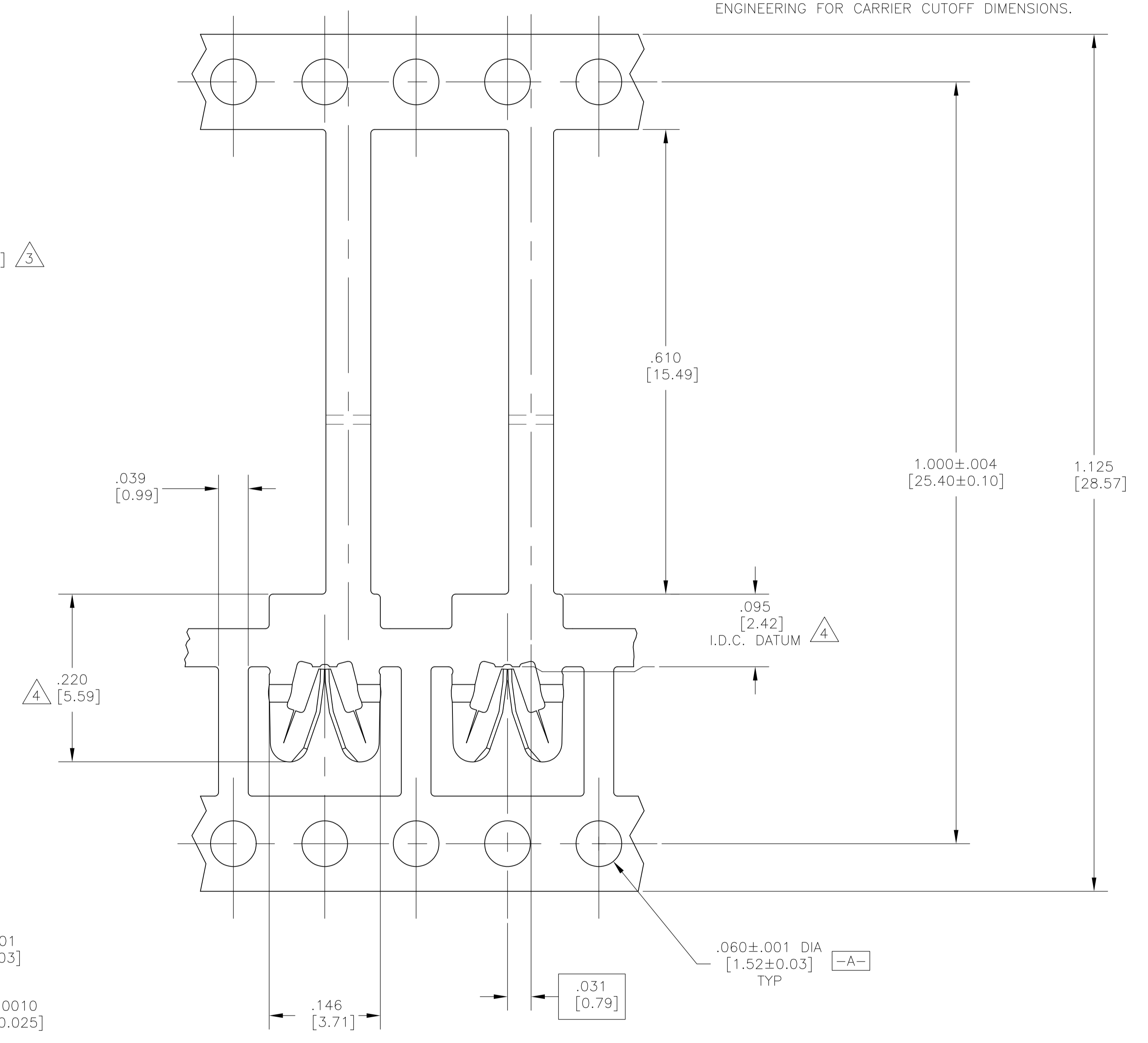
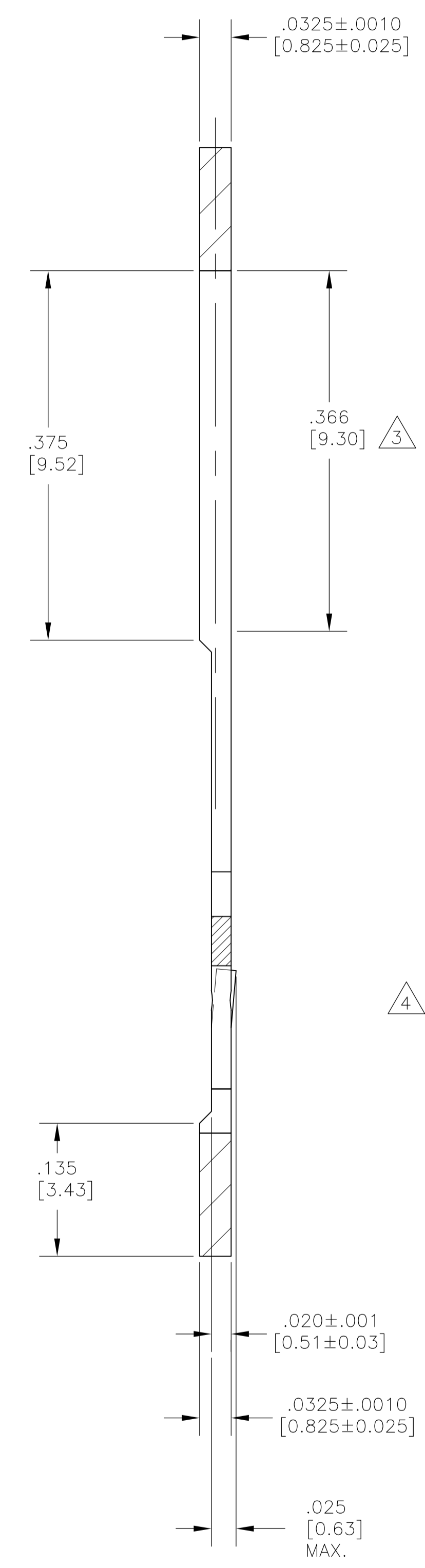
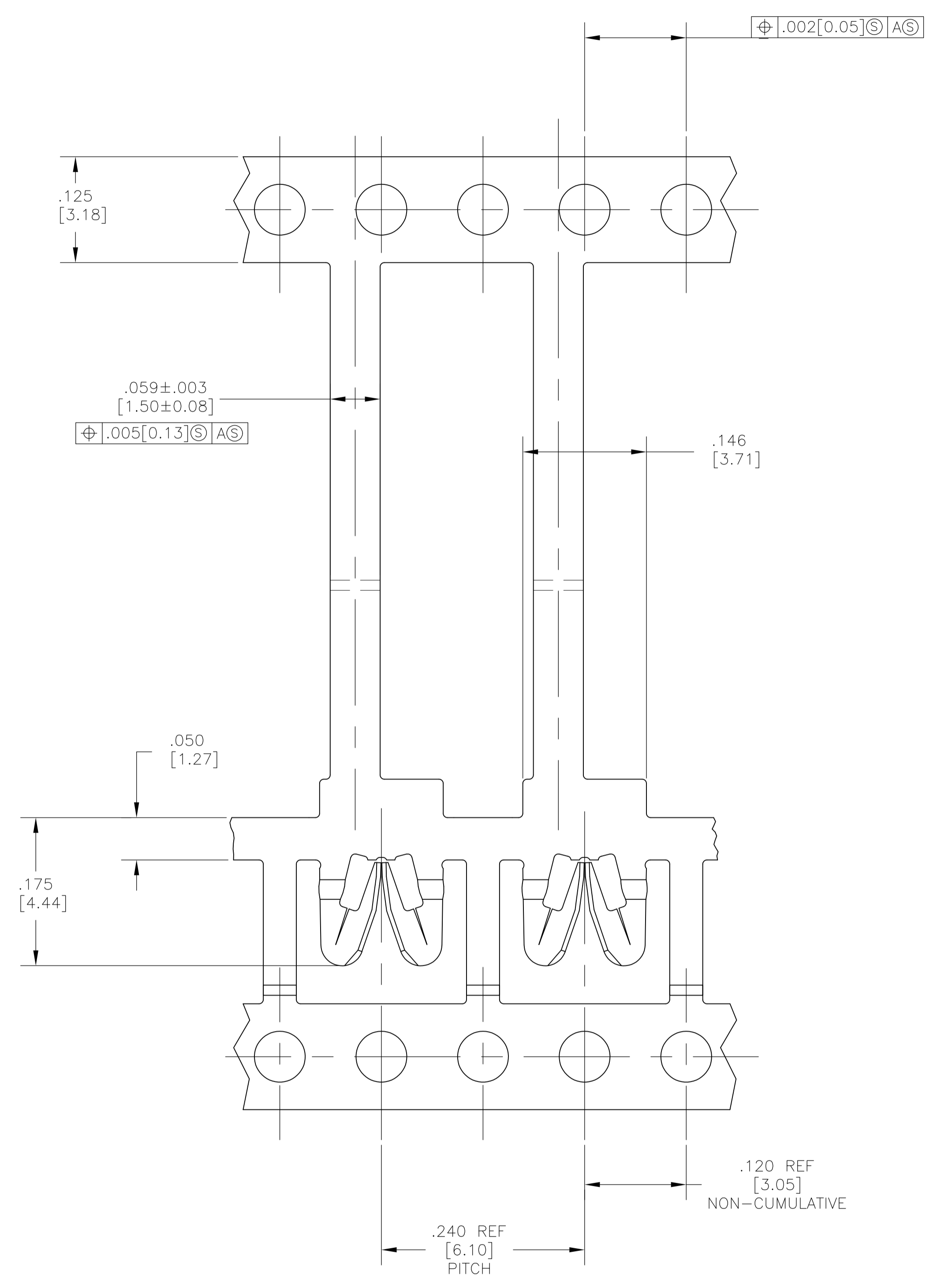


LOC		DIST		REVISIONS			
REV	DATE	BY	CHK	DESCRIPTION	DATE	BY	CHK
F1	26OCT07	HMR	GJ	REVISED PER ECR-07-024681			

- SPECIFICATIONS: MAGNET WIRE RANGE; #18-#34 .006-.040 DIA [0.16-1.02] mm COPPER. OTHER SIZES MAY BE ACCOMMODATED, CONSULT TYCO ELECTRONICS FOR APPROVAL.
- POCKET RECOMMENDATION: 1601424.
- MAINTAIN THICKNESS FOR THIS LENGTH AND COIN EDGES WITH NO BURRS.
- SPC DATA TO BE PROVIDED FOR THESE DIMENSIONS
- TERMINAL APPLICATION TO COMPLY WITH TYCO ELECTRONICS SPECIFICATION 114-13166 FIGURE 5. CONSULT TYCO ELECTRONICS ENGINEERING FOR CARRIER CUTOFF DIMENSIONS.



1601172-2
PART NUMBER

THIS DRAWING IS A CONTROLLED DOCUMENT.		DIN MICHAEL S. FEHNER 22OCT2002		Tyco Electronics Corporation Harrisburg, PA 17105-3608	
DIMENSIONS: INCHES		TOLERANCES UNLESS OTHERWISE SPECIFIED:		NAME: GENE JACONO	
0 PLC ± -		1 PLC ± -		PRODUCT SPEC: 108-2085	
2 PLC ± .01[0.25]		3 PLC ± .005[0.13]		APPLICATION SPEC: 5	
4 PLC ANGLES ± - # °		MATERIAL: BRASS, FULL HARD		FINISH: PRE-TIN PLATE	
WEIGHT: -		SIZE: A1		CAGE CODE: 00779	
CUSTOMER DRAWING		SCALE: 10:1		SHEET: 1 OF 1	

单击下面可查看定价，库存，交付和生命周期等信息

[>>TE Connectivity\(泰科\)](#)