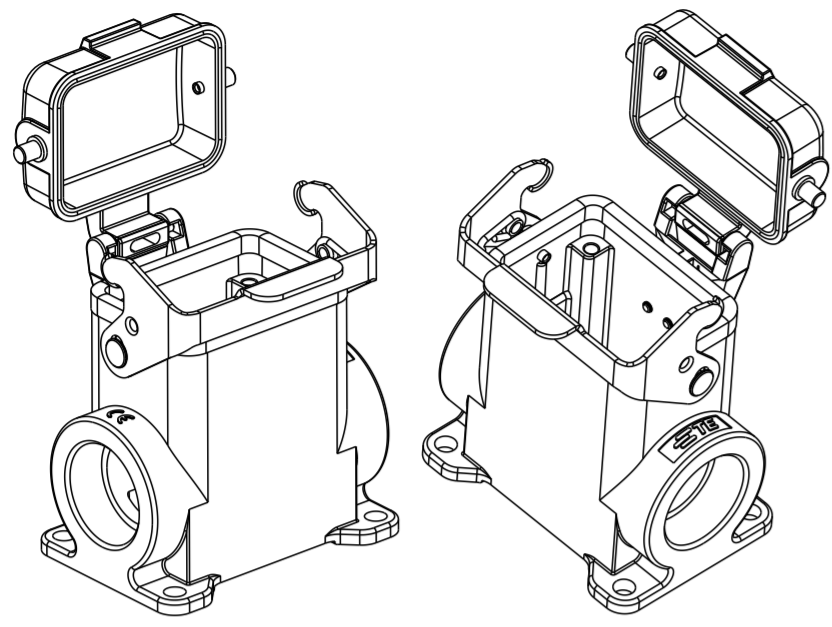
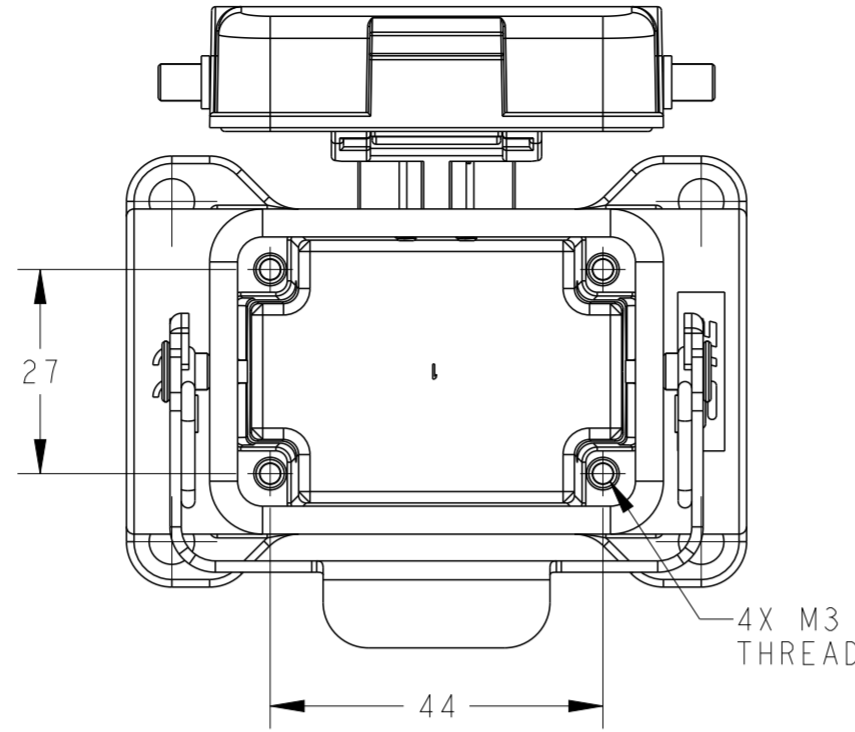


THIS DRAWING IS UNPUBLISHED. RELEASED FOR PUBLICATION 20  
 © COPYRIGHT 20 BY - ALL RIGHTS RESERVED.

| REVISIONS |     |               |           |        |
|-----------|-----|---------------|-----------|--------|
| P         | LTR | DESCRIPTION   | DATE      | APVD   |
| A         |     | INITIAL       | 23JUN2015 | DW CW  |
| A1        |     | ECR-19-001029 | 23JAN2019 | RG CW  |
| B         |     | ECR-20-007968 | 19JUN2020 | WOR CW |

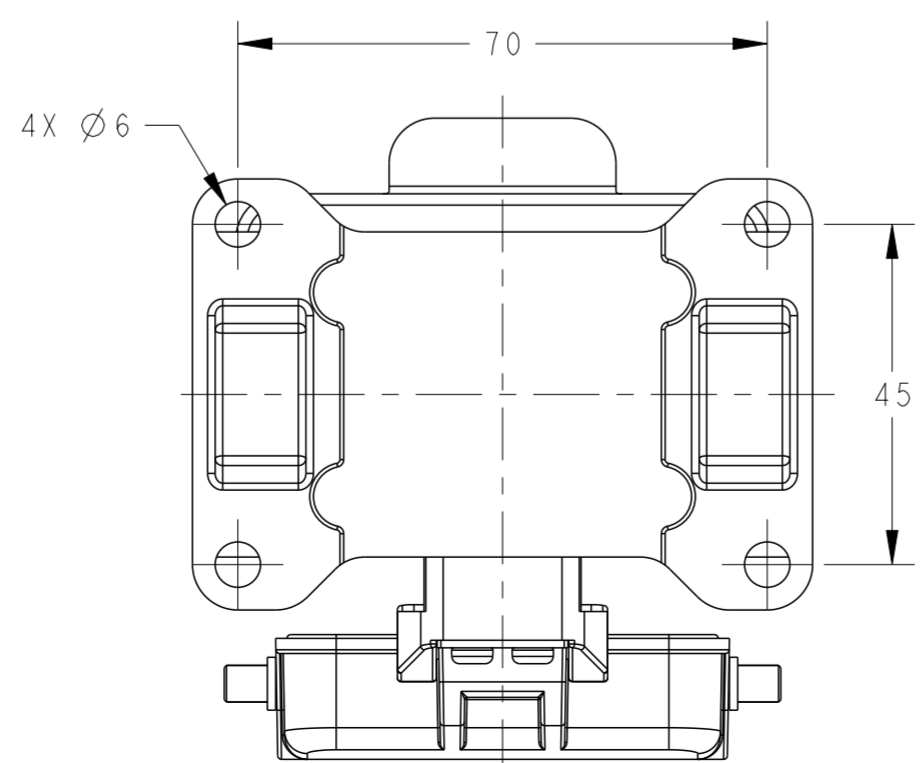
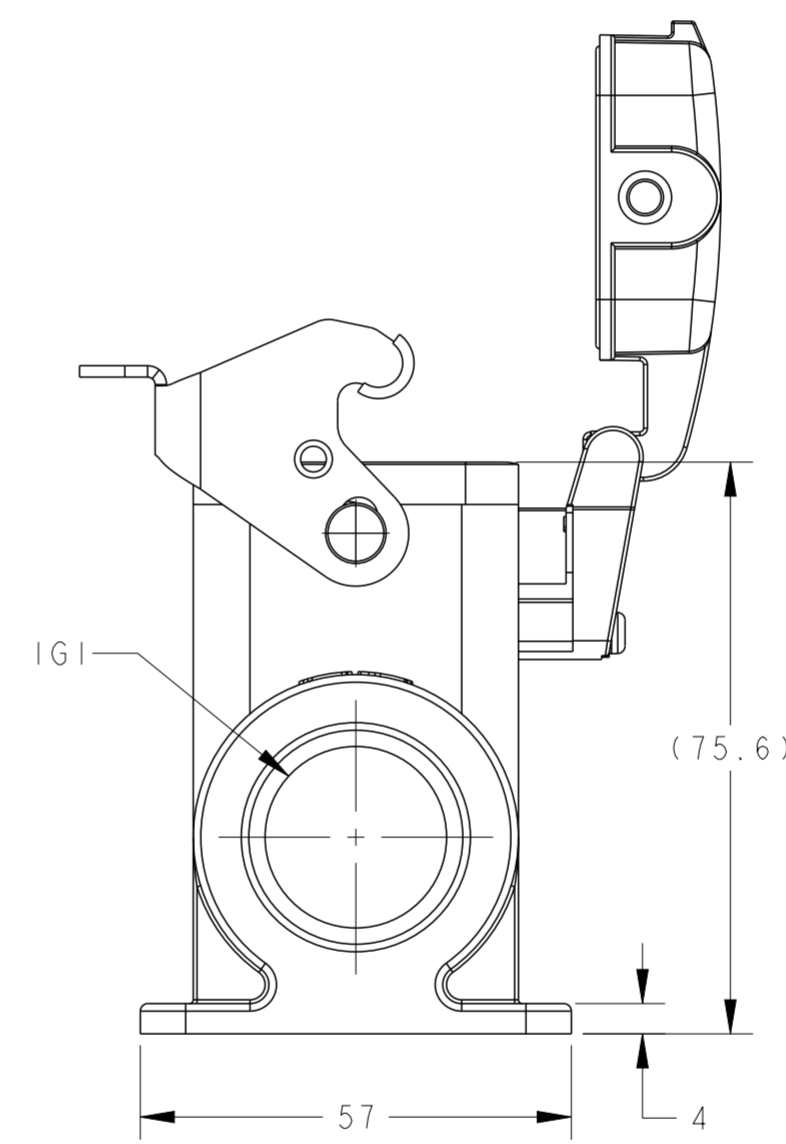
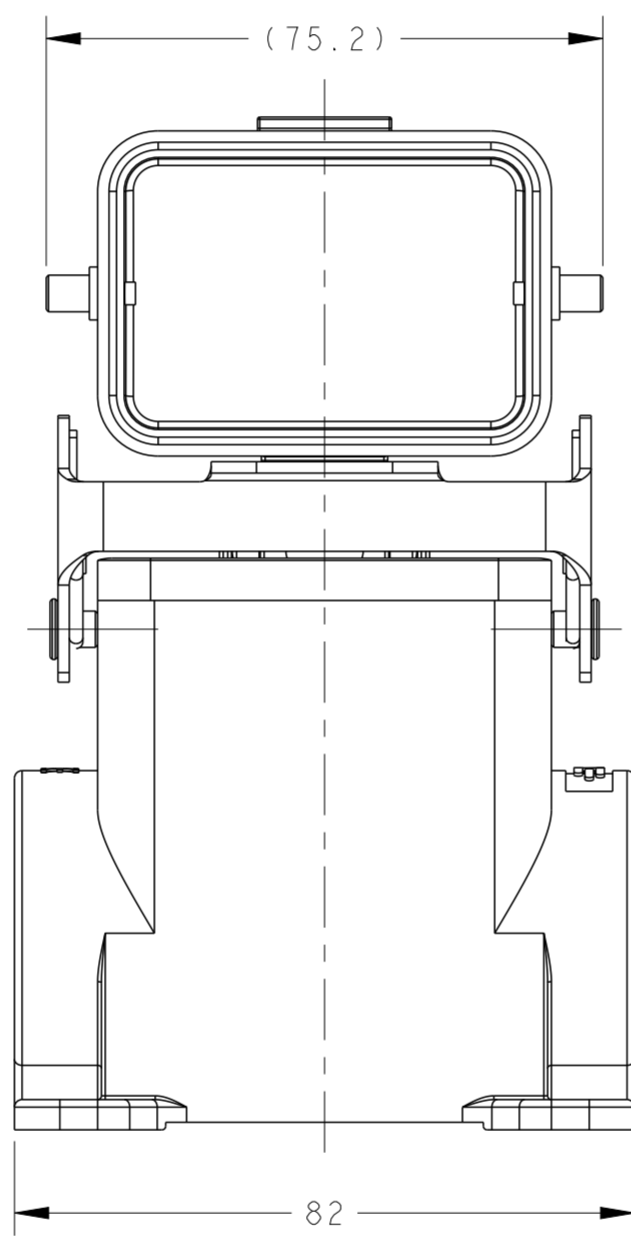
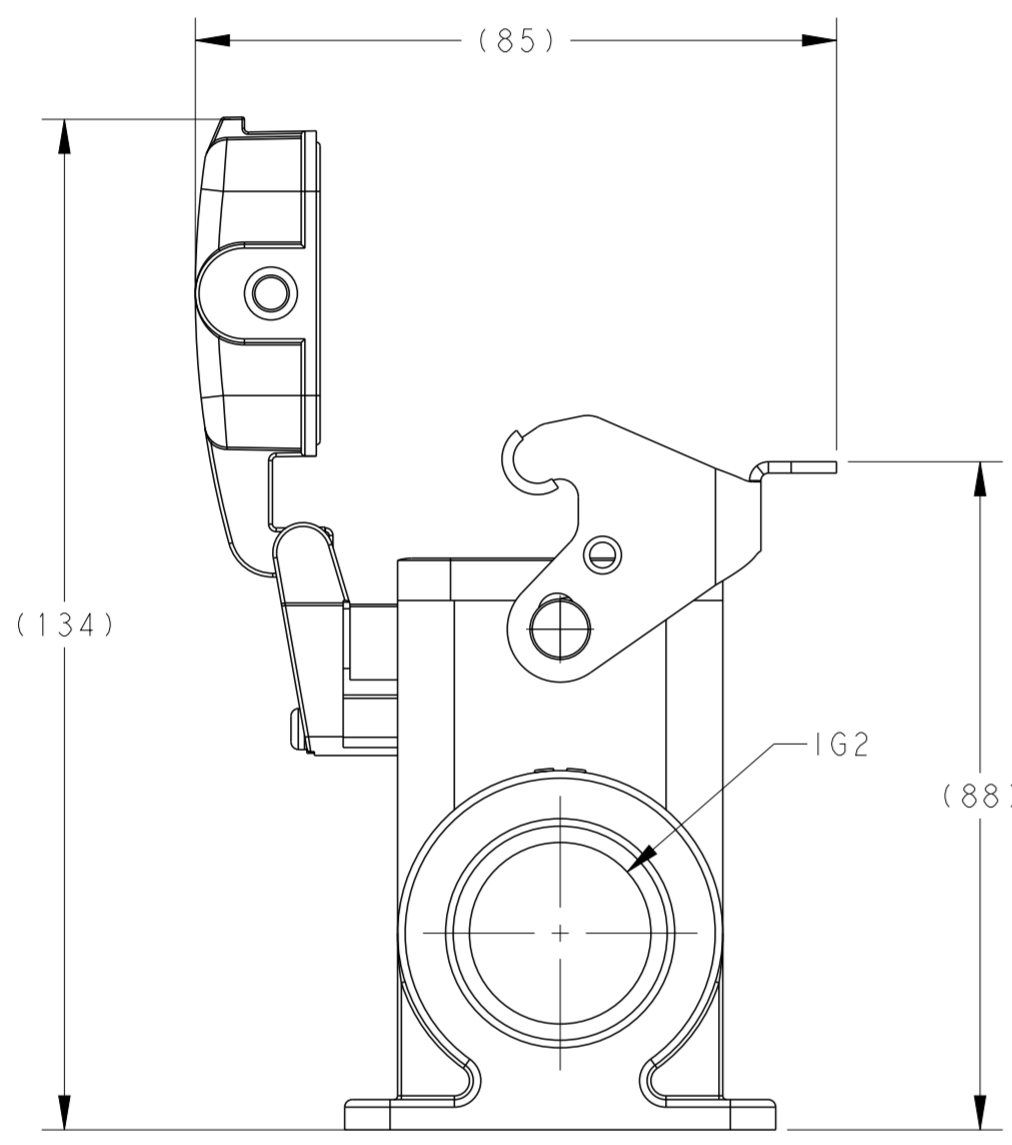


SCALE 1:2



NOTES:  
 1. TECHNICAL CHARACTERISTICS:  
 HOUSING MATERIAL: DIE CAST ALUMINIUM ALLOY  
 SURFACE: POWDER COATED, GREY  
 DEGREE OF PROTECTION: IP65 (MATED)

注释:  
 1. 技术参数:  
 表面安装下壳材料: 铝合金  
 表面处理: 粉末涂层, 灰色  
 防护等级: IP65 (配合)



| PART NUMBER     | DESCRIPTION     | IG1  | IG2  |
|-----------------|-----------------|------|------|
| T1660063321-000 | H6B-SDRHM-PG21  | PG21 | -    |
| T1660063329-000 | H6B-SDRHM-PG29  | PG29 | -    |
| T1660063332-000 | H6B-SDRHM-M32   | M32  | -    |
| T1660063325-000 | H6B-SDRHM-M25   | M25  | -    |
| T1660060220-000 | H6B-SDRHM-2M20  | M20  | M20  |
| T1660063421-000 | H6B-SDRHM-2PG21 | PG21 | PG21 |
| T1660063429-000 | H6B-SDRHM-2PG29 | PG29 | PG29 |
| T1660063432-000 | H6B-SDRHM-2M32  | M32  | M32  |

THIS DRAWING IS A CONTROLLED DOCUMENT.

|      |           |            |
|------|-----------|------------|
| DWN  | 23JUN2015 | David Wang |
| CHK  | 23JUN2015 | Chris Wang |
| APVD | 23JUN2015 | Xiang Xu   |

TE Connectivity

NAME: H6B-SDRHM-M/PG

PRODUCT SPEC: 108-137013

APPLICATION SPEC: 114-137013

WEIGHT: -

Customer Drawing

SIZE: A2

CAGE CODE: 00779

DRAWING NO: T166006XXXX000

RESTRICTED TO: -

SCALE: 1:1

SHEET: 1 OF 1

REV: B

单击下面可查看定价，库存，交付和生命周期等信息

[>>TE Connectivity\(泰科\)](#)