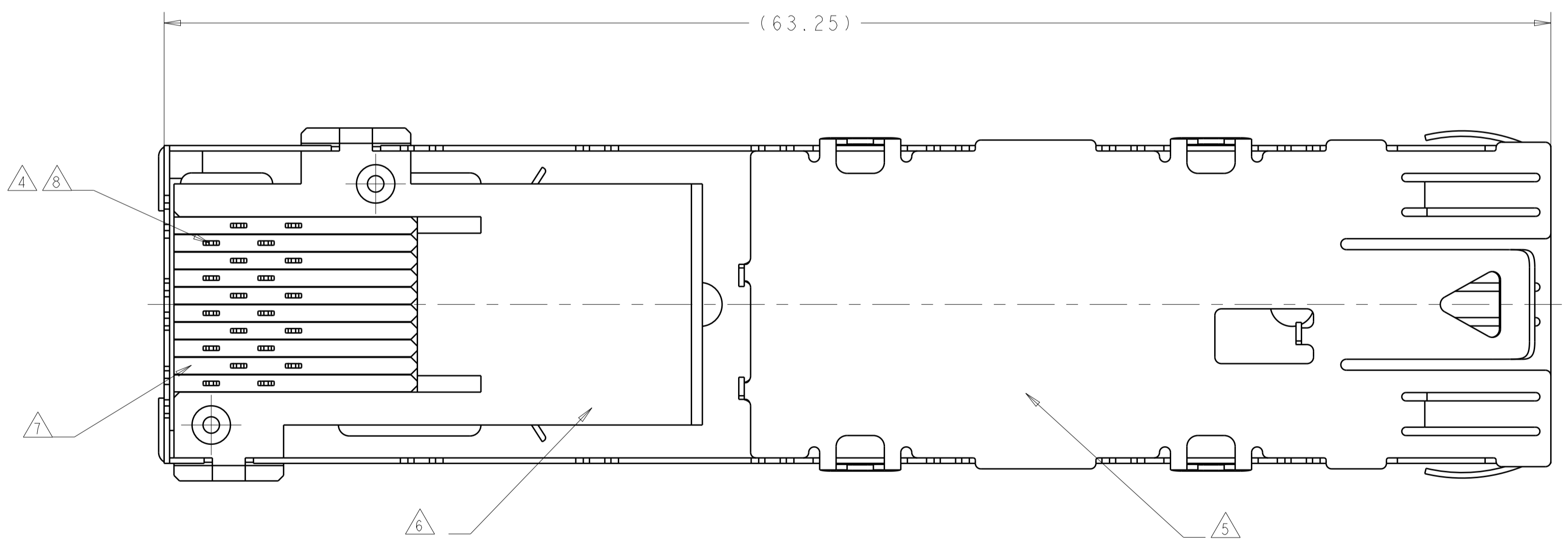
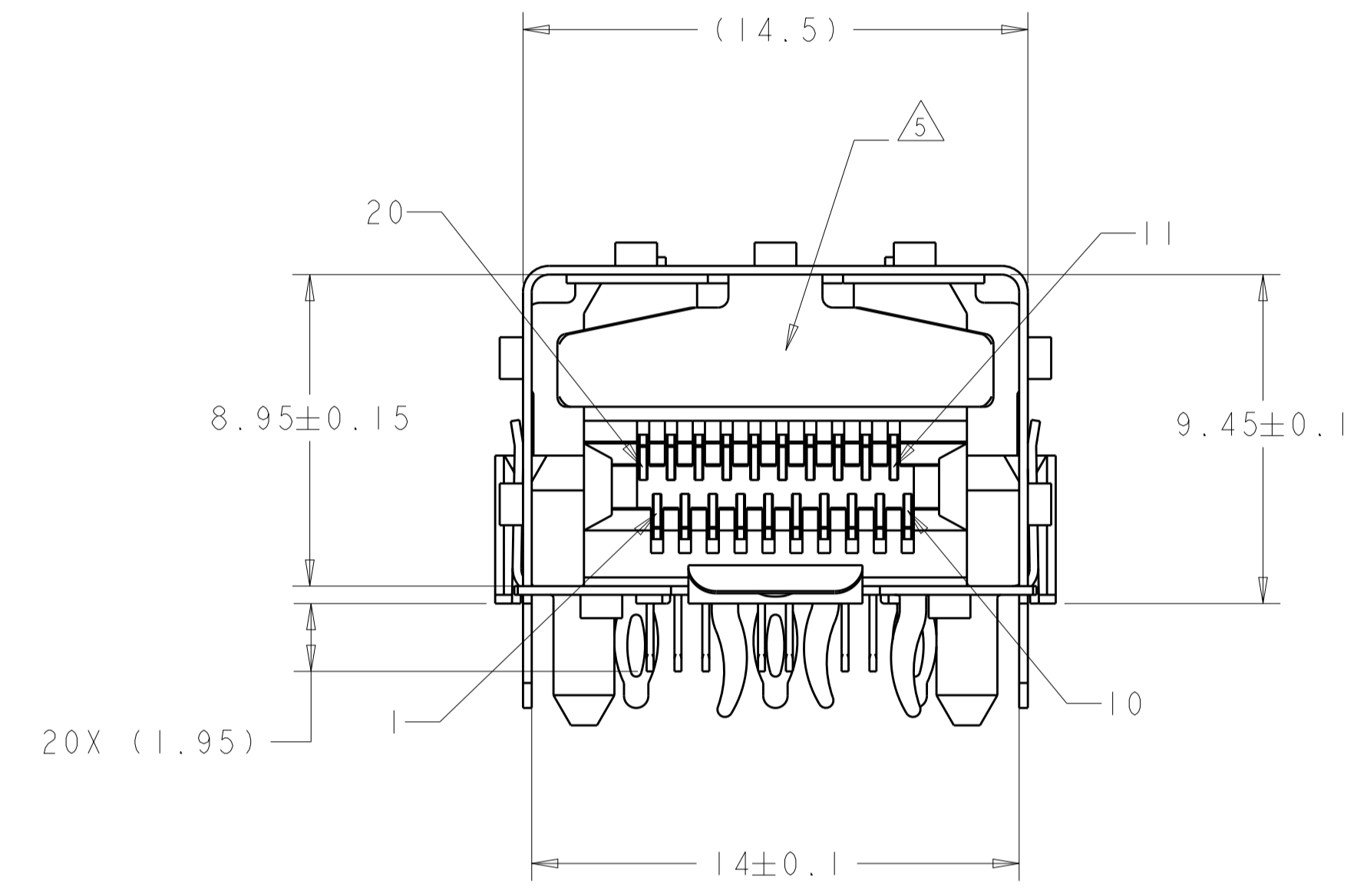
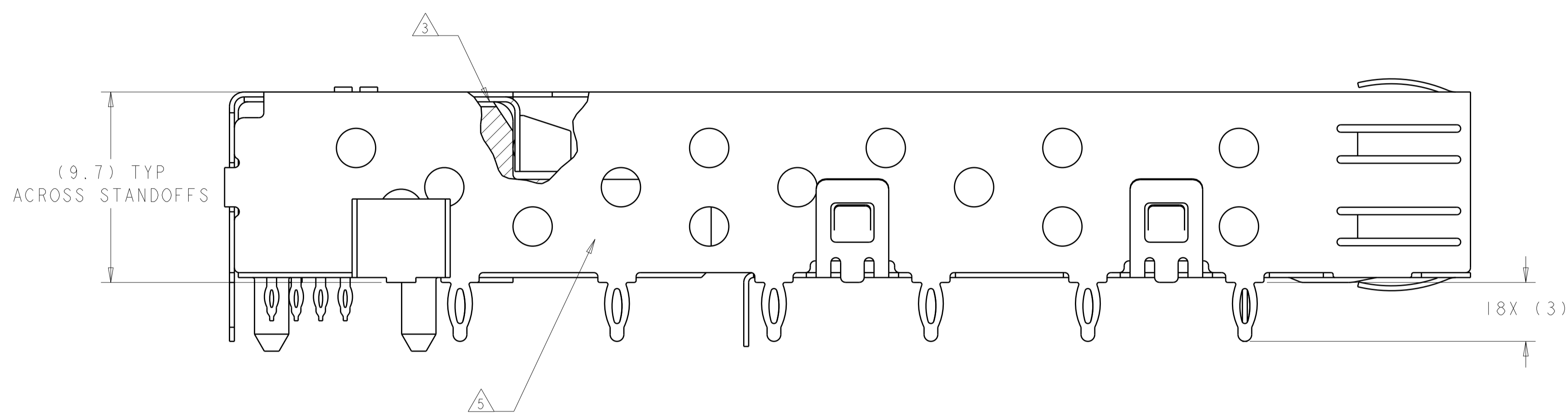
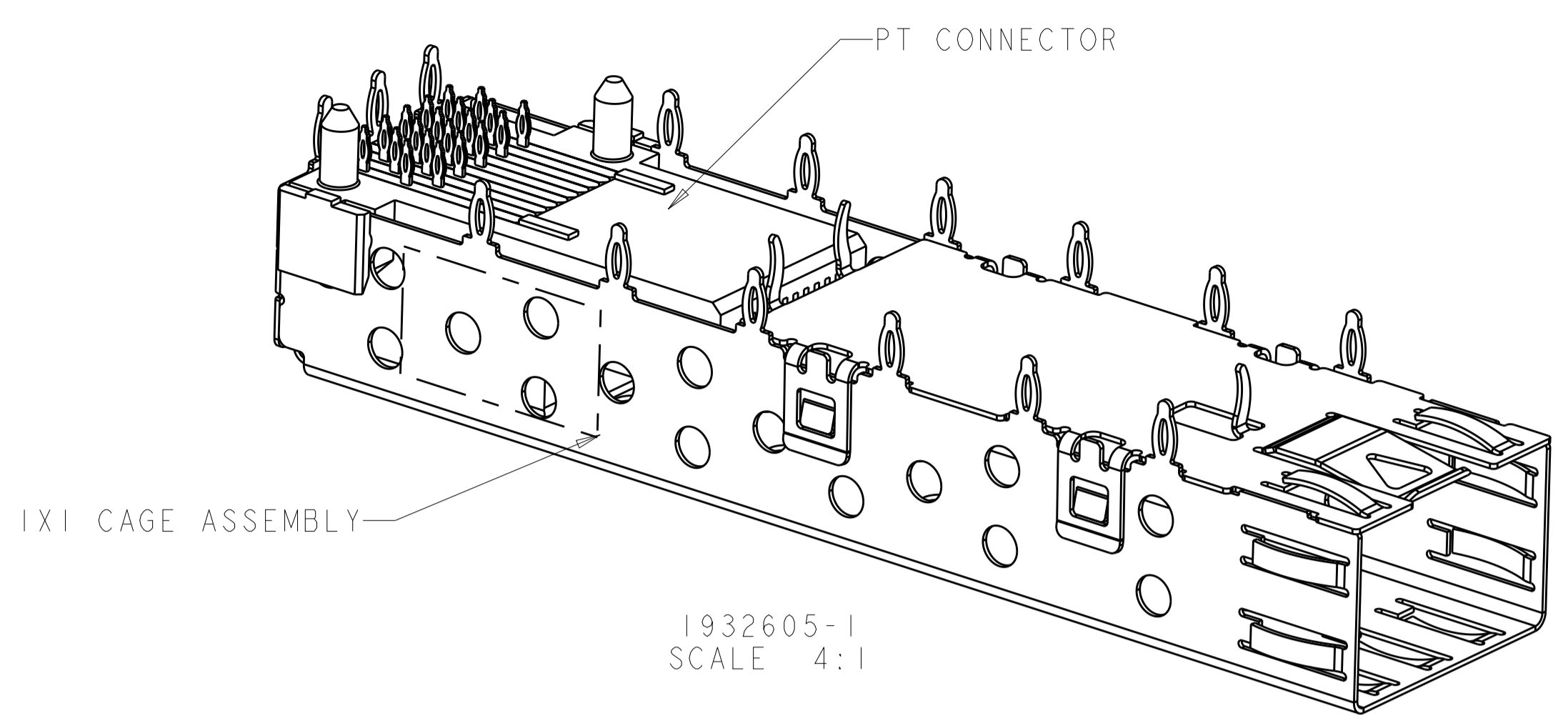
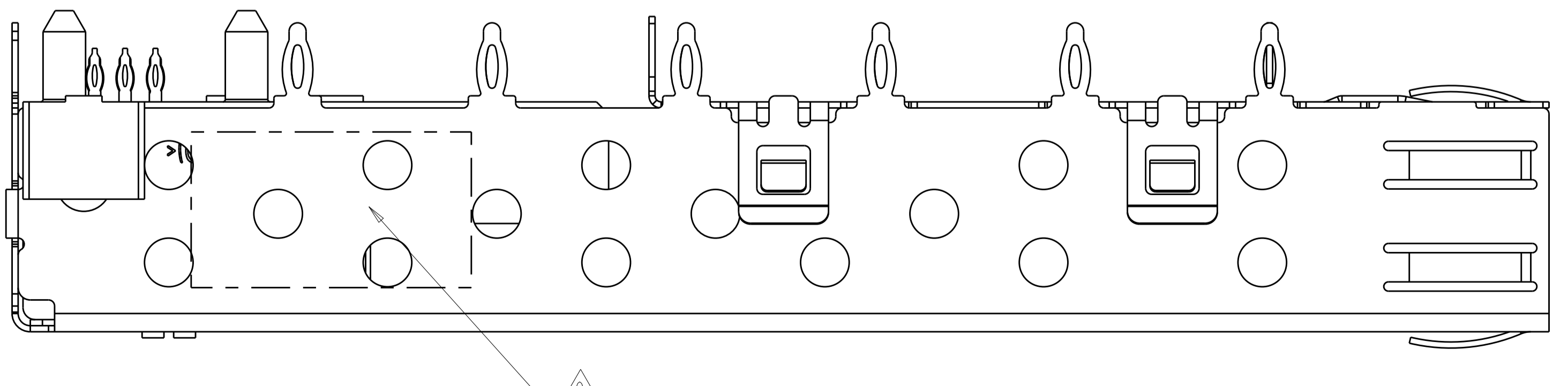


LOC	DIST	REVISIONS					
ES	00	P	LTN	DESCRIPTION	DATE	DWN	APVD
		A		RELEASE	10MAY2010	JY	SY
		B		REVISED PER ECO-14-000886	20FEB2014	JW	SH



- ① DATUM AND BASIC DIMENSION TO BE DETERMINED BY CUSTOMER.
- ② INTERPRETATION OF DATUM REFERENCE FRAME IN ACCORDANCE WITH SECT 4.4.1.1 OF ASME Y14.5M-1994.
- ③ TOP OF PT CONNECTOR TO BE 0-0.15 FROM INSIDE SURFACE OF CAGE.
- ④ COPPER ALLOY.
- ⑤ NICKEL SILVER ALLOY (NO PLATING).
- ⑥ LCP, HIGH TEMPERATURE, UL 94V-0 RATED, BLACK.
- ⑦ POLYESTER, UL 94V-0 RATED, BLACK.
- ⑧ CONTACT MATING AREA: SURFACE TREATMENT OVER 0.76um MIN GOLD PER ASTM B 488 OVER 1.27um MIN NICKEL PER QQ-N-290. NEEDLE EYE: 1.25um MIN TIN PER ASTM B 545 OVER 1.25um MIN NICKEL PER QQ-N-290. REMAINDER OF CONTACT: 0.76um MIN NICKEL PER QQ-N-290.
- ⑨ DATE CODE AND PART NUMBER IN APPROXIMATE LOCATION SHOWN



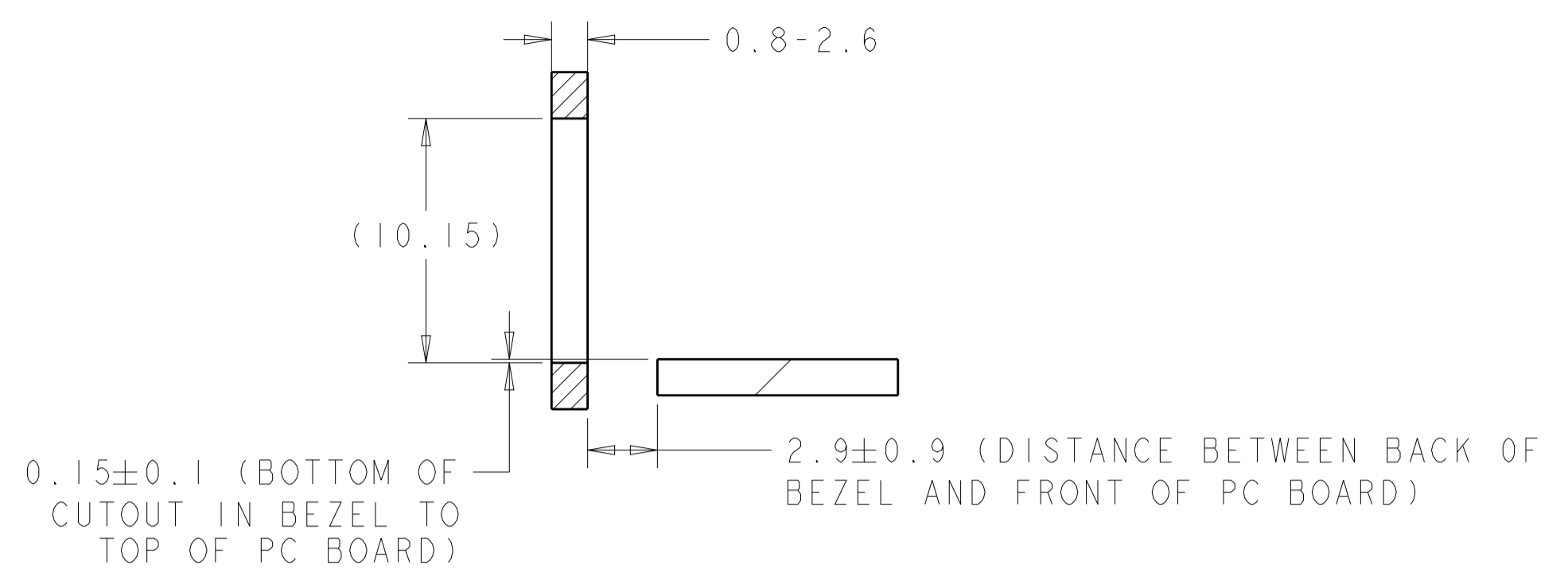
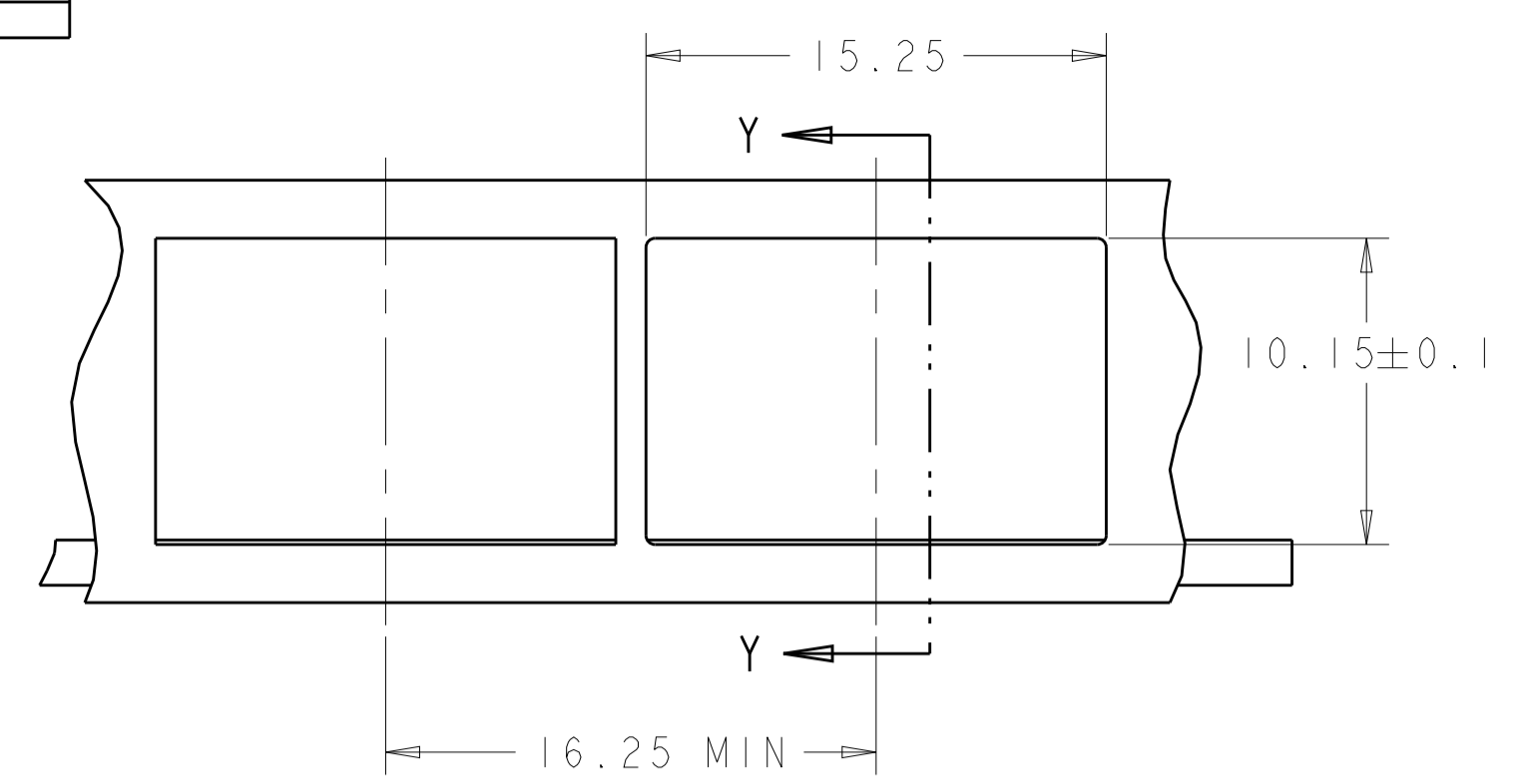
1932605-1  
 PART NUMBER

THIS DRAWING IS A CONTROLLED DOCUMENT.		DWN: JASON YANG 08APR2010	TE Connectivity	
DIMENSIONS: mm		CHK: SUNY ZHAO 08APR2010		
TOLERANCES UNLESS OTHERWISE SPECIFIED:		APVD: STEVEN YAO 08APR2010	NAME: CAGE AND PT CONNECTOR ASSEMBLY, 1x1, PRESS FIT, SFP	
0 PLC ±	1 PLC ±0.1	PRODUCT SPEC: 108-2161	SIZE: A1	
2 PLC ±	3 PLC ±	APPLICATION SPEC: 114-13121	CAGE CODE: C=1932605	
4 PLC ±	ANGLES ±	WEIGHT: -	RESTRICTED TO: -	
MATERIAL: SEE NOTE		FINISH: SEE NOTE	SCALE: 6:1	
CUSTOMER DRAWING		SHEET 1 OF 3		REV B

LOC	DIST	REV	DATE	BY	APPV
ES	00				

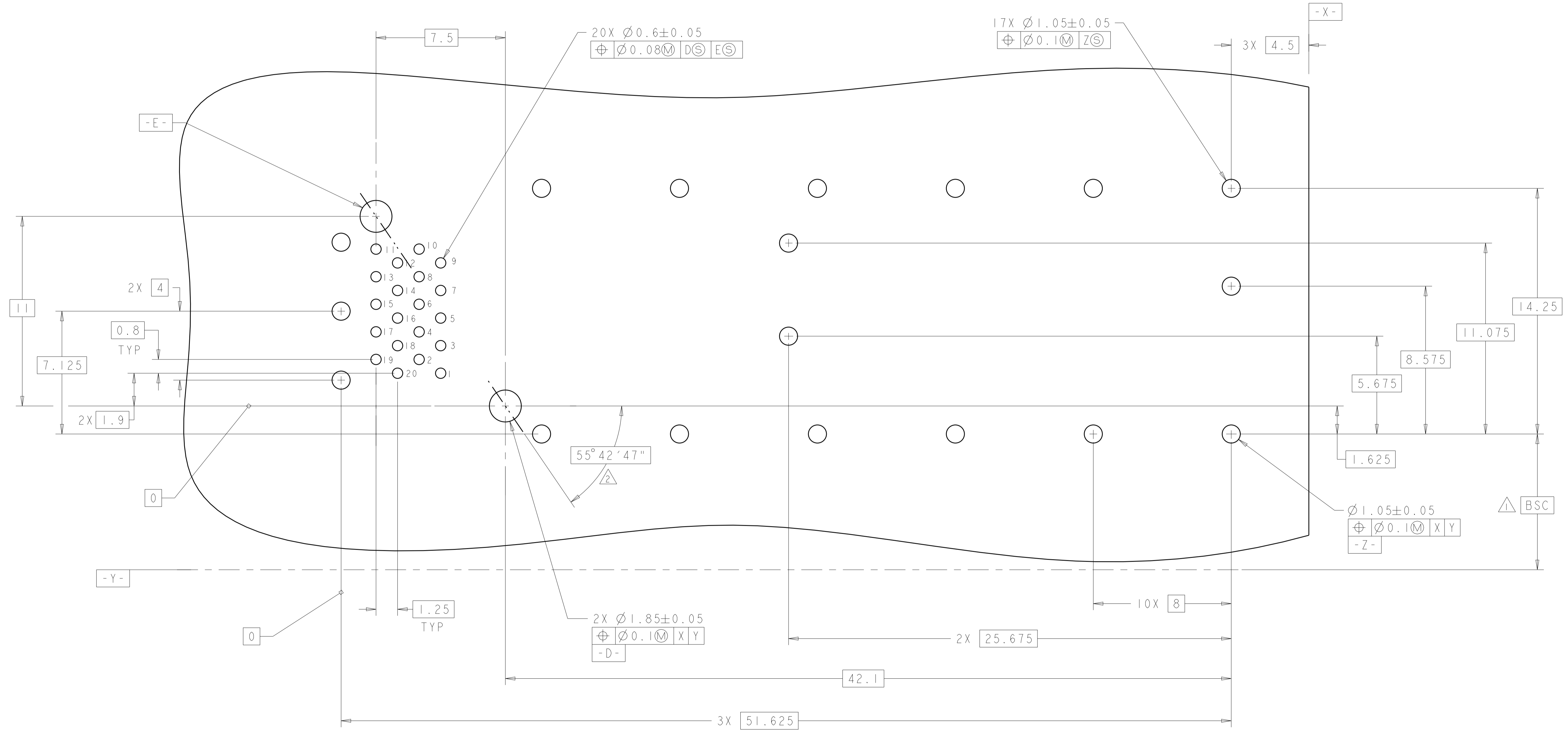
  

REVISIONS					
NO.	DATE	DESCRIPTION	BY	APPV	REV
-	-	SEE SHEET 1	-	-	-



RECOMMENDED BEZEL CUTOUT AND PC BOARD AND BEZEL POSITION  
SCALE 4:1

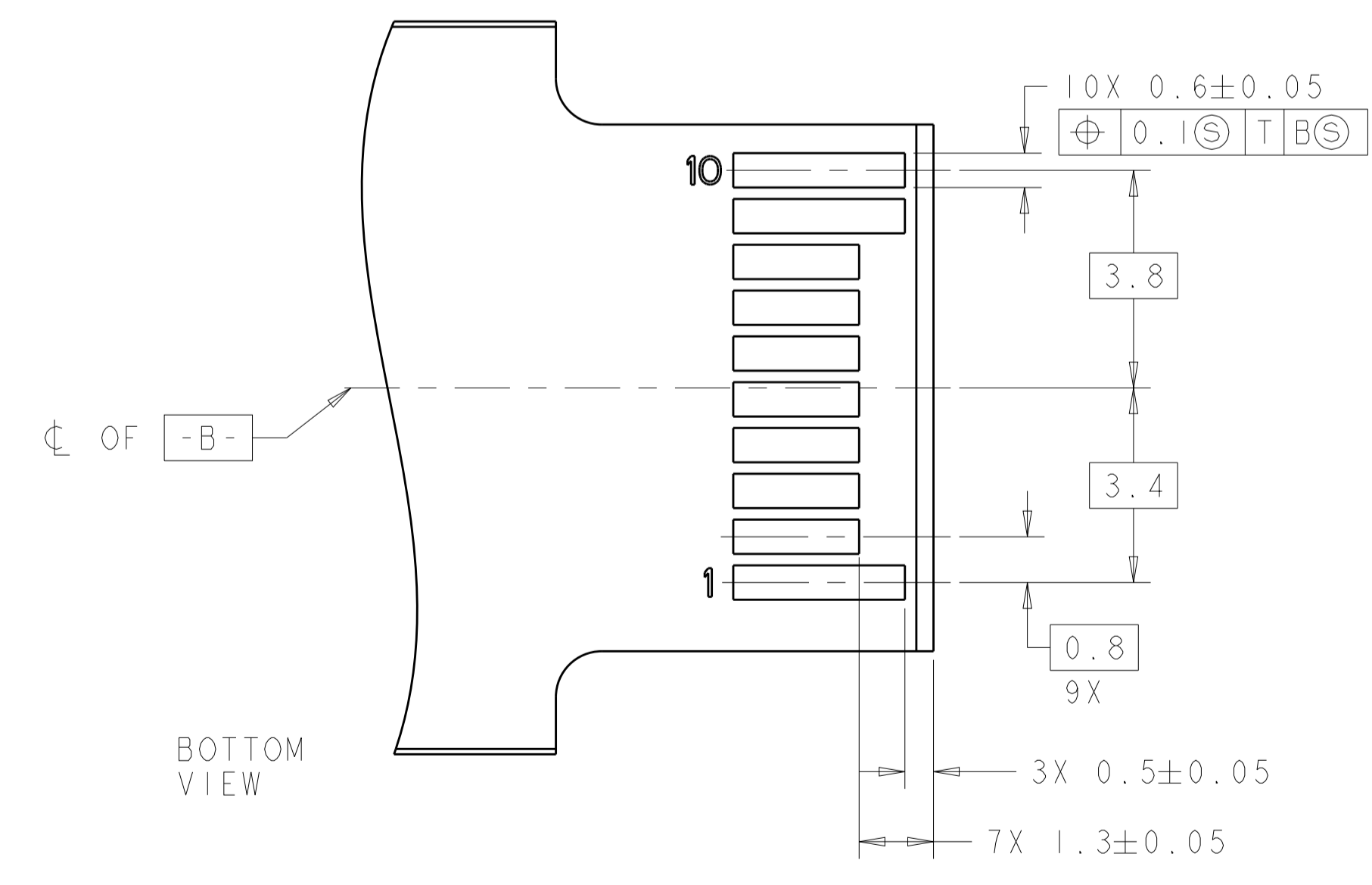
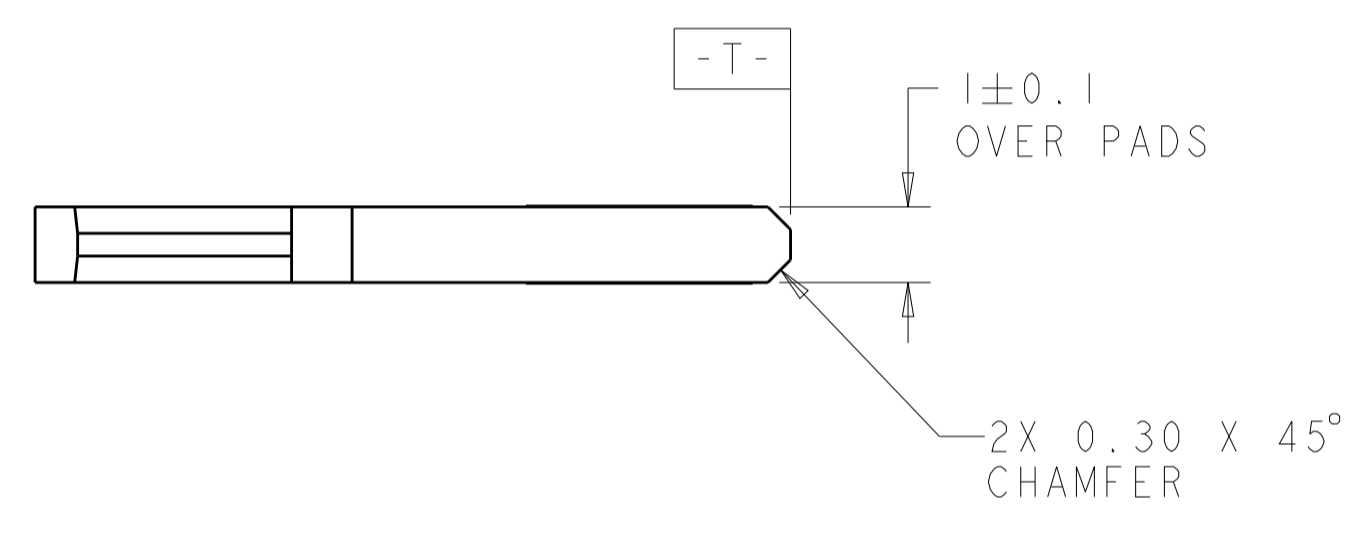
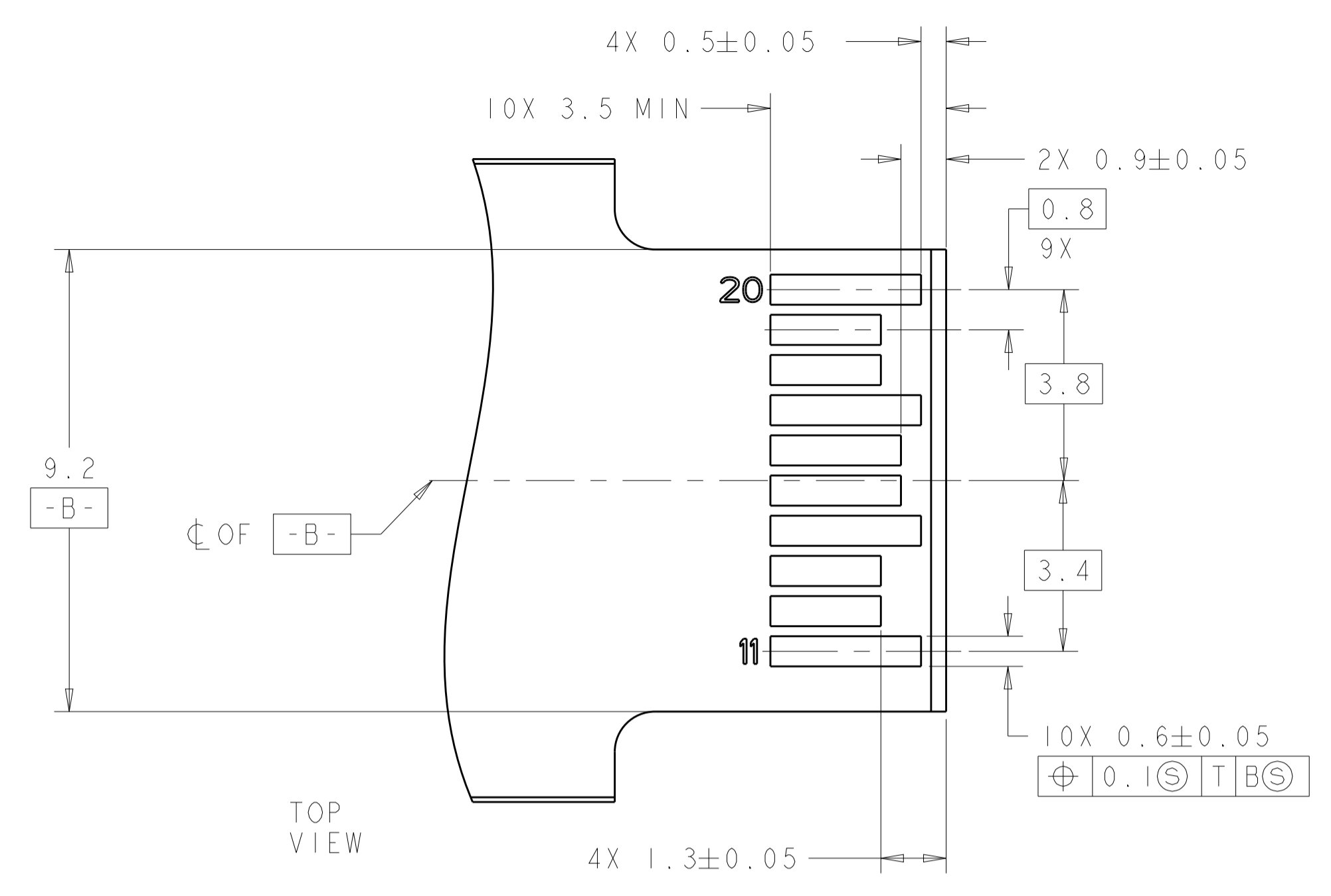
SECTION Y-Y



SFP HOST BOARD  
MECHANICAL LAYOUT  
SCALE 8:1

THIS DRAWING IS A CONTROLLED DOCUMENT.		DWN: JASON YANG 08APR2010 CHK: SUNY ZHAO 08APR2010 APV: STEVEN YAO 08APR2010	TE Connectivity NAME: CAGE AND PT CONNECTOR ASSEMBLY, 1x1, PRESS FIT, SFP
DIMENSIONS: mm 0 PLC ± 1 PLC ±0.1 2 PLC ± 3 PLC ± 4 PLC ± ANGLES ±	TOLERANCES UNLESS OTHERWISE SPECIFIED: FINISH: SEE NOTE	PRODUCT SPEC: 108-2161 APPLICATION SPEC: 114-13121 WEIGHT: - CUSTOMER DRAWING	
SEE NOTE		MATERIAL: - FINISH: - SCALE: 1:1	SIZE: A1 CAGE CODE: - DRAWING NO: C=1932605 SHEET 2 OF 3 REV B

LOC	DIST	REVISIONS			
P	LTH	DESCRIPTION	DATE	DWN	APVD
ES	00	SEE SHEET 1			



RECOMMENDED LAYOUT FOR MATING TRANSCEIVER PCB  
SCALE 10:1

THIS DRAWING IS A CONTROLLED DOCUMENT.		DWN: JASON YANG 08APR2010	TE Connectivity	
DIMENSIONS: mm		CHK: SUNY ZHAO 08APR2010		
TOLERANCES UNLESS OTHERWISE SPECIFIED:		APVD: STEVEN YAO 08APR2010	NAME: CAGE AND PT CONNECTOR ASSEMBLY, 1x1, PRESS FIT, SFP	
0 PLC ±		PRODUCT SPEC	SIZE: A1	
1 PLC ±0.1		APPLICATION SPEC	CAGE CODE: C=1932605	
2 PLC ±		114-13121	RESTRICTED TO:	
3 PLC ±		WEIGHT	SCALE: 11:1	
4 PLC ±		CUSTOMER DRAWING	SHEET 3 OF 3	
ANGLES			REV B	
FINISH				
SEE NOTE				

单击下面可查看定价，库存，交付和生命周期等信息

[>>TE Connectivity\(泰科\)](#)