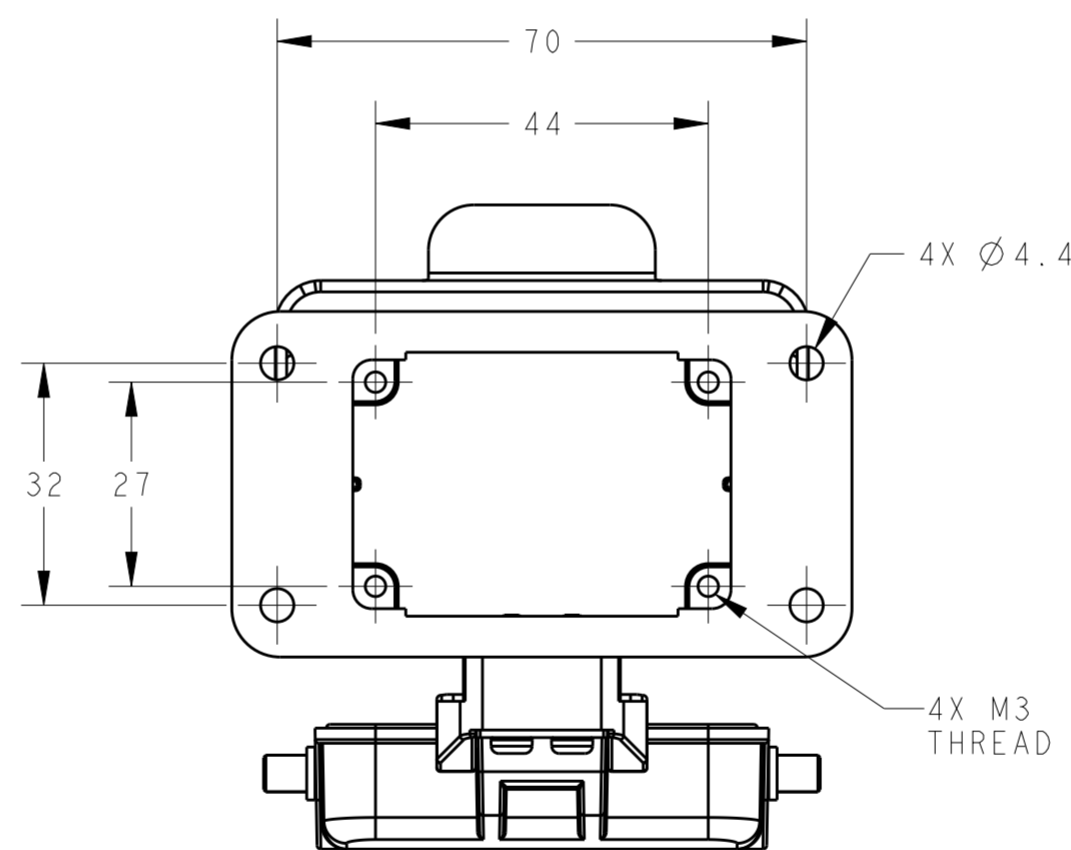
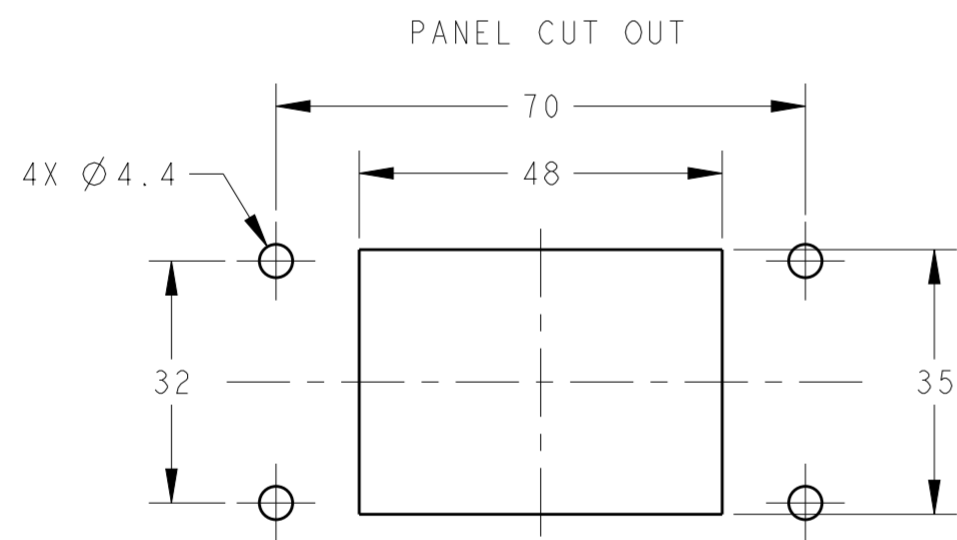
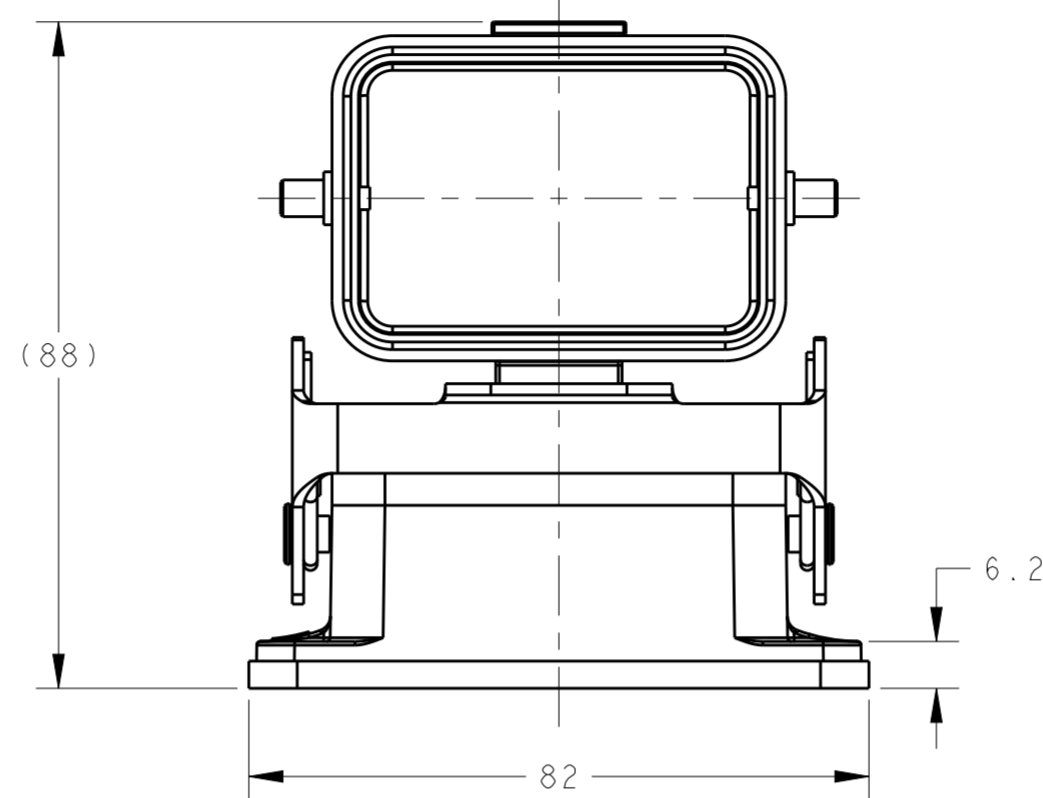
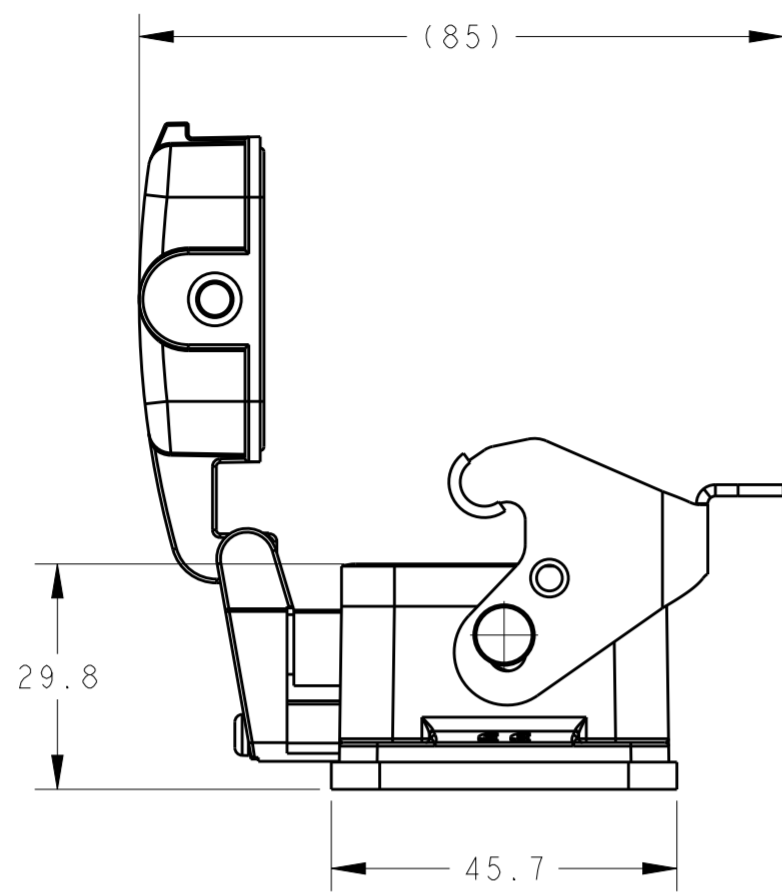


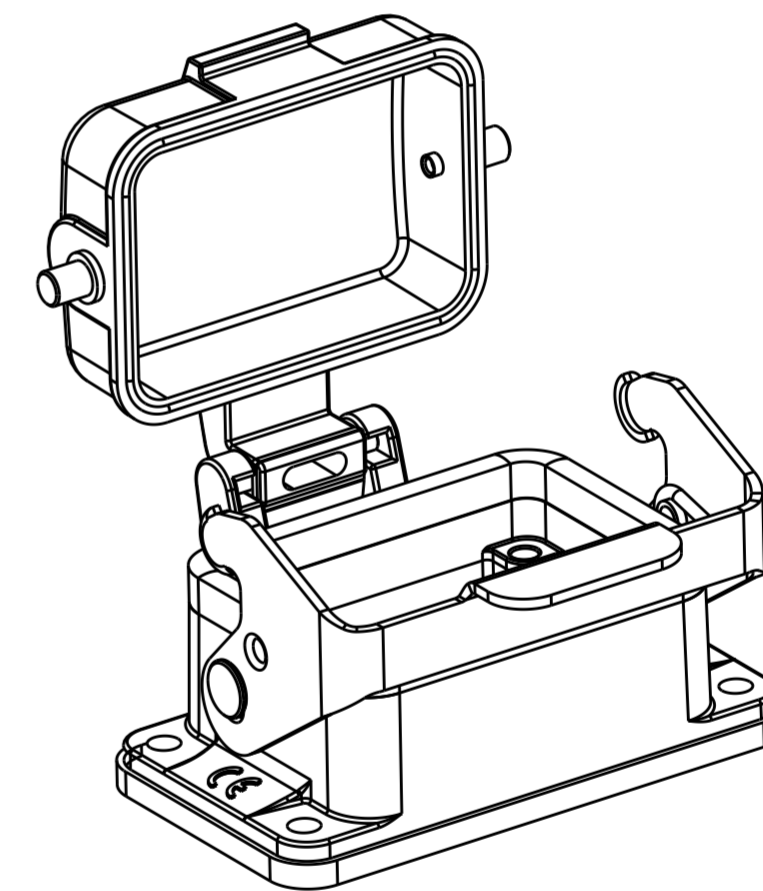
THIS DRAWING IS UNPUBLISHED. RELEASED FOR PUBLICATION 20  
 © COPYRIGHT 20 BY - ALL RIGHTS RESERVED.

REVISIONS					
P	LTR	DESCRIPTION	DATE	DWN	APVD
A		INITIAL	02MAY2016	DW	CW
B		ECR-20-007968	10JUN2020	WOR	CW



NOTES:  
 1. TECHNICAL CHARACTERISTICS:  
 HOUSING MATERIAL: DIE CAST ALUMINIUM ALLOY  
 SURFACE: POWDER COATED, GREY  
 DEGREE OF PROTECTION: IP65 (MATED)

注释:  
 1. 技术参数:  
 下壳材料: 铝合金  
 表面处理: 粉末涂层, 灰色  
 防护等级: IP65 (配合)



T1510063100-000	H6B-ADM	H6B HOUSING, BULKHEAD MOUNTED, METAL SINGLE LOCKING, METAL PROTECTION COVER, POWDER COATED, GREY H6B下壳, 开孔安装, 彩钢罩, 带金属保护盖, 灰色粉末喷涂
PART NUMBER 料号	PART DESCRIPTION 描述	

THIS DRAWING IS A CONTROLLED DOCUMENT.		DWN DAVID WANG 02MAY2016	TE Connectivity																
		CHK CHRIS WANG 02MAY2016																	
		APVD XIANG XU 02MAY2016																	
		PRODUCT SPEC 108-137013																	
DIMENSIONS: mm		TOLERANCES UNLESS OTHERWISE SPECIFIED:	NAME H6B-ADM	RESTRICTED TO															
<table border="1"> <tr><td>0 PLC</td><td>±</td></tr> <tr><td>1 PLC</td><td>±</td></tr> <tr><td>2 PLC</td><td>±</td></tr> <tr><td>3 PLC</td><td>±</td></tr> <tr><td>4 PLC</td><td>±</td></tr> <tr><td>ANGLES</td><td>±</td></tr> <tr><td>FINISH</td><td>-</td></tr> </table>		0 PLC	±	1 PLC	±	2 PLC	±	3 PLC	±	4 PLC	±	ANGLES	±	FINISH	-	APPLICATION SPEC 114-137013	SIZE A2	CAGE CODE 00779	DRAWING NO. T1510063100000
0 PLC	±																		
1 PLC	±																		
2 PLC	±																		
3 PLC	±																		
4 PLC	±																		
ANGLES	±																		
FINISH	-																		
MATERIAL -		WEIGHT -	SCALE 1:1		SHEET 1 OF 1														
		Customer Drawing	REV B																

单击下面可查看定价，库存，交付和生命周期等信息

[>>TE Connectivity\(泰科\)](#)