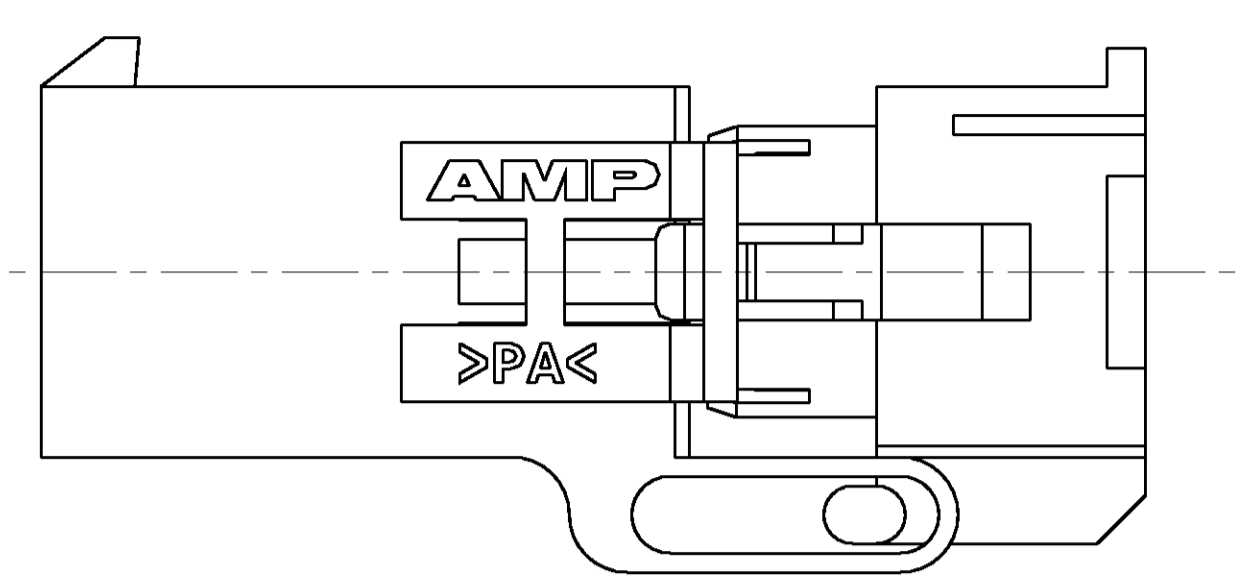
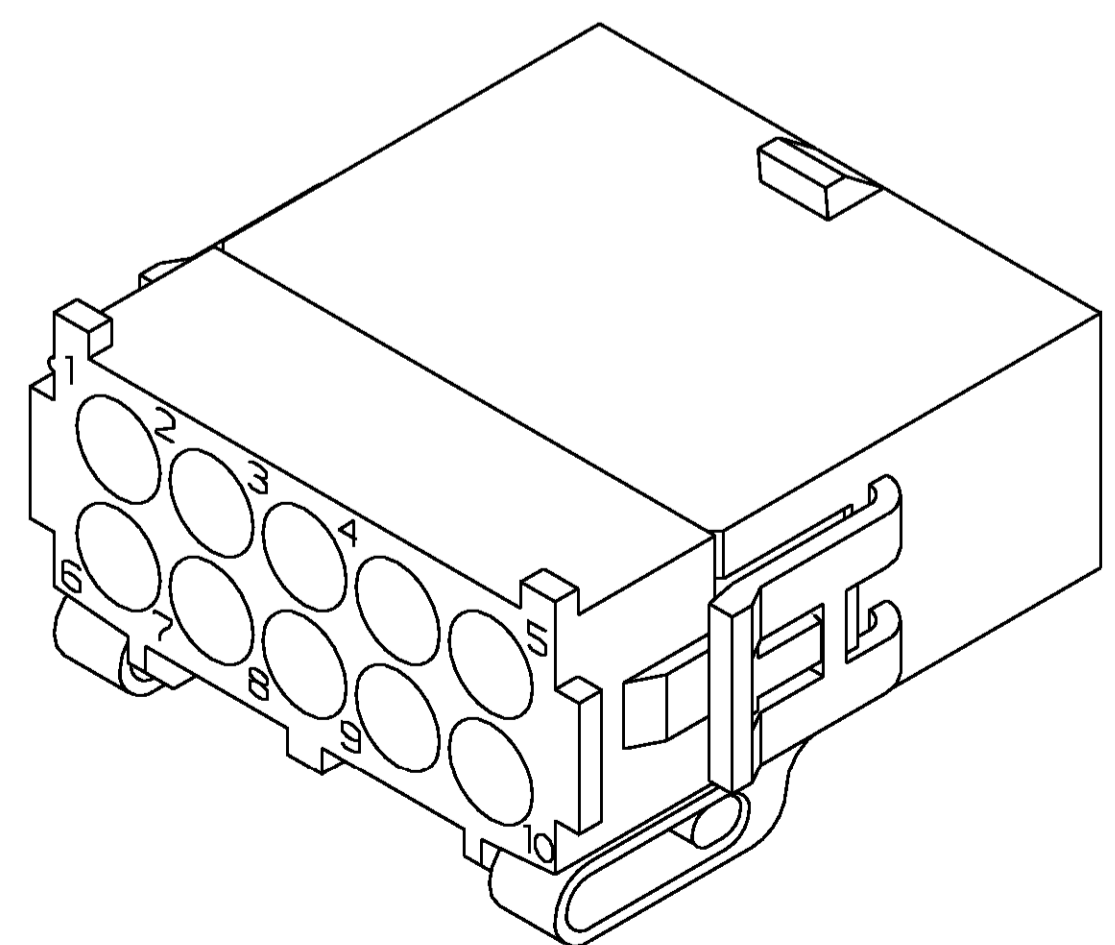
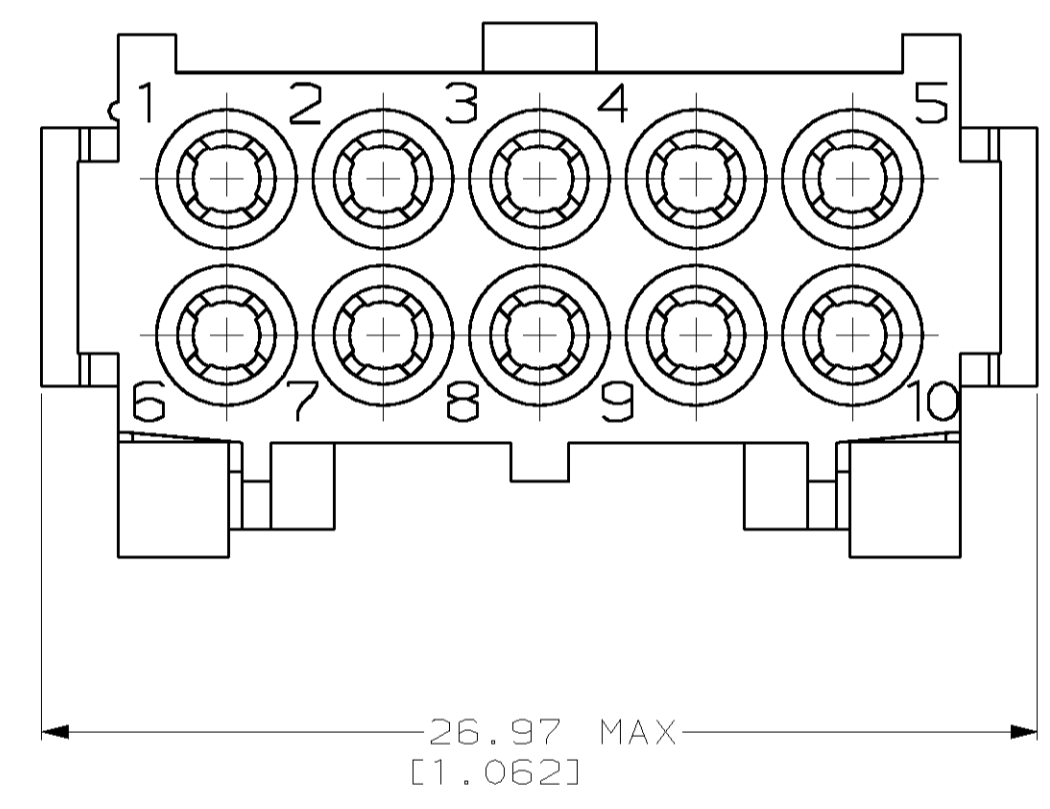
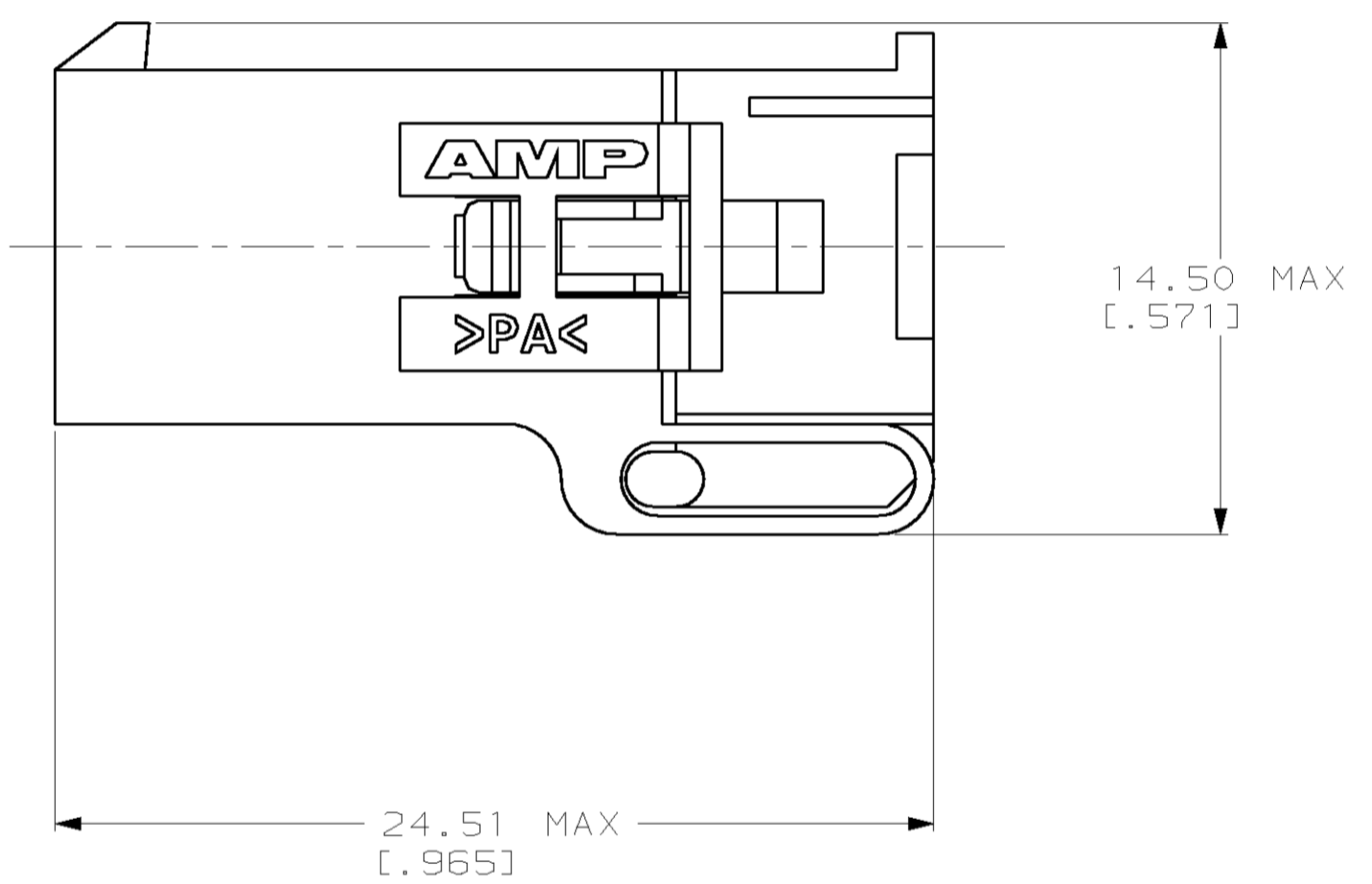
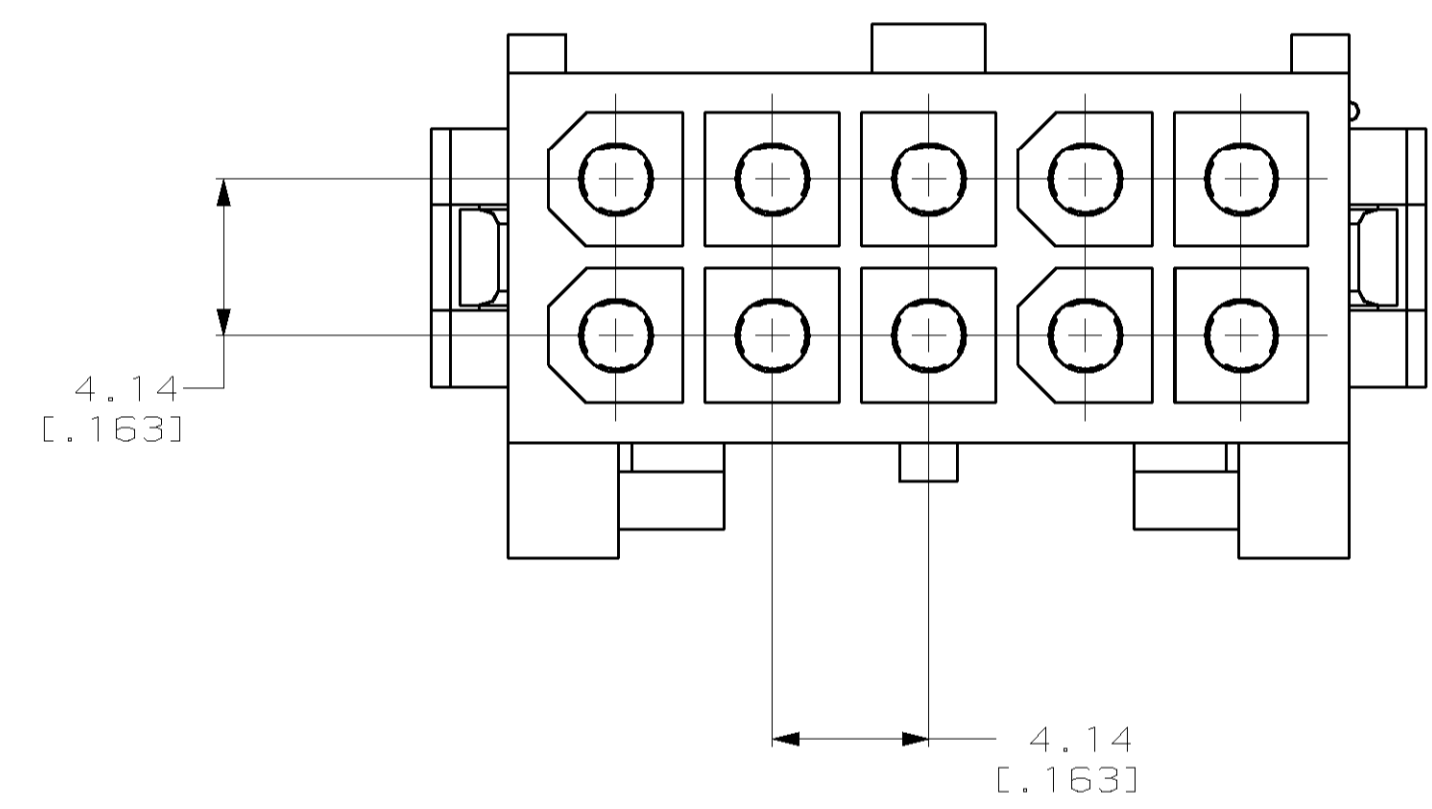


LOC	DIST	REV	PER	EC	DATE	BY	APVD
CM	53	B	REV PER EC	061B-0094-99	23-SEP-99	KW	KC

1. DIMENSIONS IN BRACKETS ARE IN INCHES.



PRE-STAGED CONDITION



3-DIMENSIONAL MODEL
NTS

794197-1
PART NUMBER



THIS DRAWING IS A CONTROLLED DOCUMENT.		DWN K. WHITAKER	5-14-97	AMP AMP Incorporated Harrisburg, PA 17105-3608
		CHK R. SWING	5-14-97	
DIMENSIONS:		APVD S. ORSTAD	5-14-97	NAME CAP, 10 CIRCUIT, MINI UNIVERSAL MATE-N-LOK™ 2
TOLERANCES UNLESS OTHERWISE SPECIFIED:		PRODUCT SPEC		SIZE CAGE CODE DRAWING NO
0 PLC	±	APPLICATION SPEC		A1 00779 C-794197
1 PLC	±	RESTRICTED TO		
2 PLC	±	CUSTOMER DRAWING		
3 PLC	±0.13 [0.005]	SCALE		5:1
4 PLC	±	SHEET		1 OF 1
ANGLES	±	REV		B
MATERIAL NYLON, UL 94V-0, NATURAL	FINISH -	WEIGHT -		

单击下面可查看定价，库存，交付和生命周期等信息

[>>TE Connectivity\(泰科\)](#)