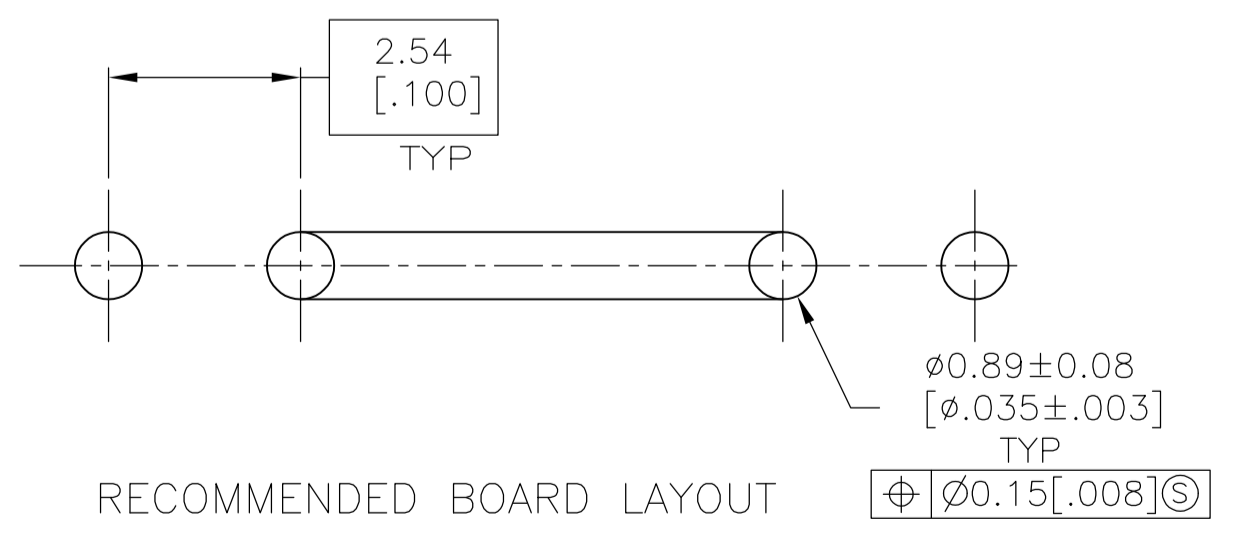
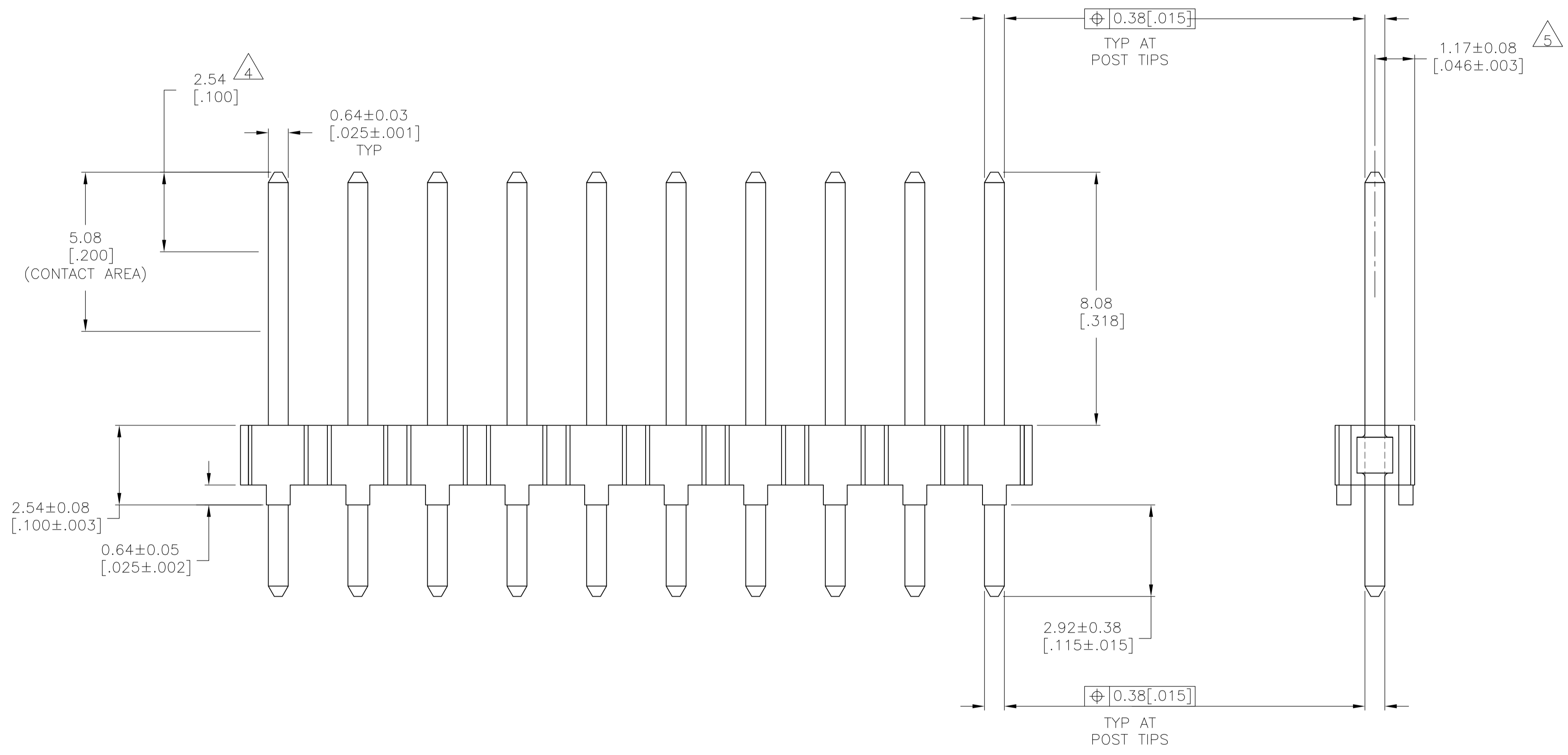
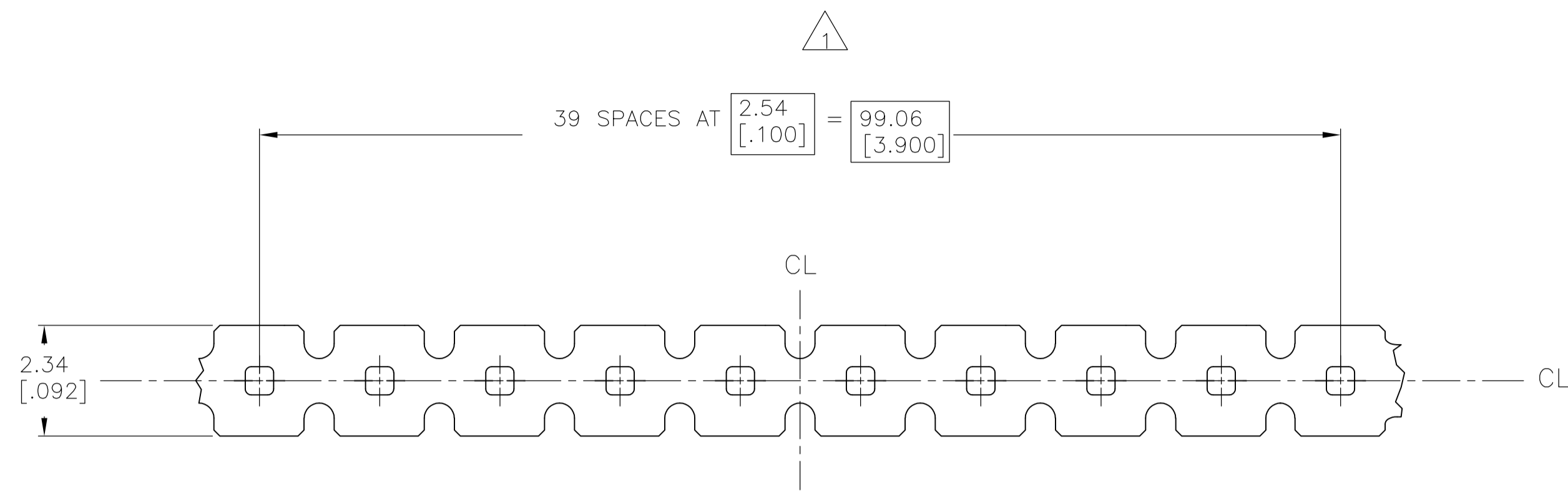


LOC		DIST		REVISIONS			
AD	00	REV	DATE	BY	CHK	APPV	MM
C	REVISED PER	ECO-14-000264	09JUL2014	NK			



- 1 DIMENSION APPLIES OVER 99.06mm [3.900 INCHES].
- 2 HOUSING: BLACK THERMOPLASTIC, 94V-0 RATED, HIGH TEMPERATURE COMPATIBLE. POST: COPPER ALLOY.
- 3 FINISH: 0.00038[0.00015] GOLD IN MATING AREA, 0.00254[0.000100]-0.00508[0.000200] MATTE TIN-LEAD ON SOLDER TAIL, ALL OVER 0.00127[0.000050] NICKEL.
- 4 POINT OF MEASUREMENT FOR PLATING THICKNESS.
- 5 THE NOTED DIMENSION APPLIES AT INTERSECTION OF POST AND HOUSING.
- 6 TRUE POSITION TOLERANCE OF THE POST TIPS APPLIES WHEN THE HEADERS ARE HELD FLAT AGAINST THE PCB.
- 7 PARTS ARE TO BE PACKAGED ON A REEL.
- 8 REELED ASSEMBLIES ARE TO BE BROKEN TO THE DESIRED POSITION SIZE AND USED AS A FUNCTIONAL SUBSTITUTE/ALTERNATIVE TO THE EXISTING AMP PART NUMBER SERIES 102972 AND 146276. THESE ASSEMBLIES ARE THE SAME IN FIT AND FUNCTION, BUT THE FORM WILL BE SLIGHTLY DIFFERENT (i.e. MOLDED HOUSING APPEARANCE AND BOW, DUE TO REELING REQUIREMENTS).
- 9 THIS PART NUMBER SPECIFIES ONE(1) LINE (i.e. PIN).
- 10 FINISH: 0.00038[0.00015] GOLD IN MATING AREA, 0.00254[0.000100]-0.00508[0.000200] MATTE TIN ON SOLDER TAIL, ALL OVER 0.00127[0.000050] NICKEL.

10	5-146860-1	9
3	146860-1	9
PLATING	PART NUMBER	

THIS DRAWING IS A CONTROLLED DOCUMENT.

DIN E. BRANDBERG 05-SEP-97
CHK C. SCHMID 05-SEP-97
APVD C. SCHMID 05-SEP-97

TE Connectivity

NAME: HEADER ASSEMBLY, SINGLE ROW, VERTICAL, REELED, CONTINUOUS

DIMENSIONS: mm [INCHES]	TOLERANCES UNLESS OTHERWISE SPECIFIED:	SIZE	CAGE CODE	DRAWING NO	RESTRICTED TO
0 PLC ± -	1 PLC ± -	A1	00779	146860	-
2 PLC ± 0.13[0.005]	3 PLC ± -	SCALE	10:1	SHEET	1 OF 1
4 PLC ± -	ANGLES ± -	WEIGHT		REV	C

MATERIAL 2 SEE TABLE

CUSTOMER DRAWING

单击下面可查看定价，库存，交付和生命周期等信息

[>>TE Connectivity\(泰科\)](#)