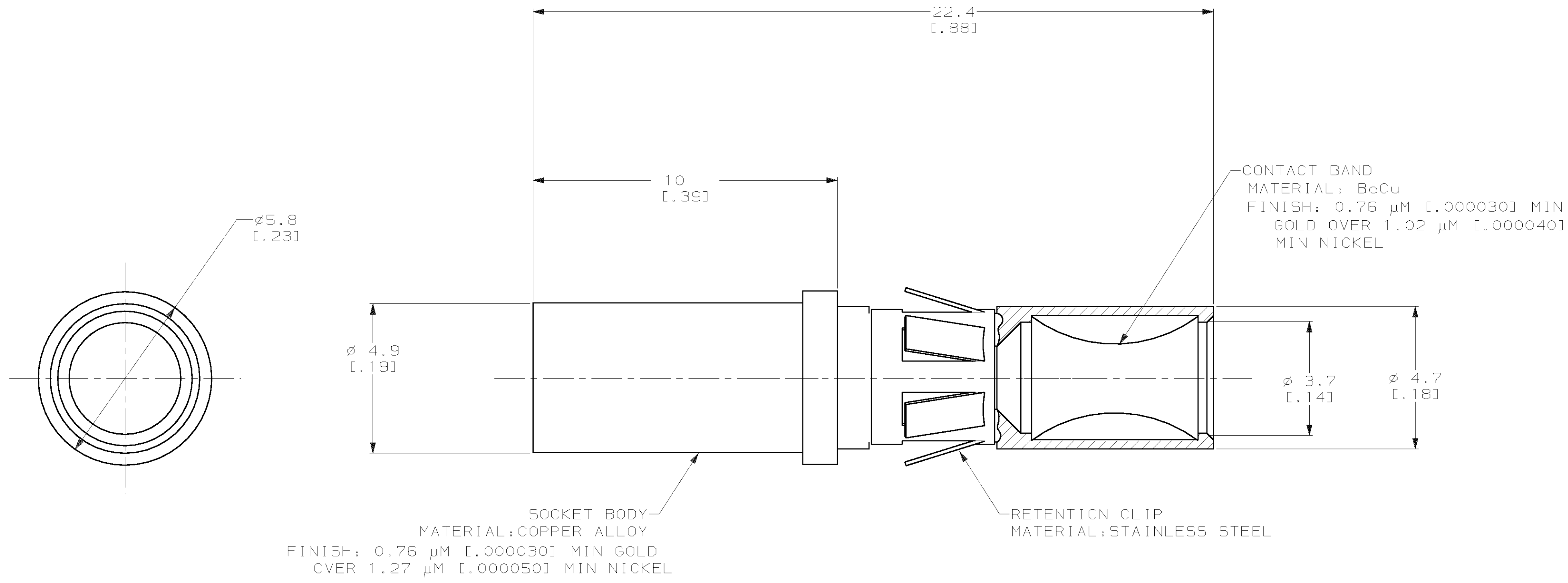


THIS DRAWING IS UNPUBLISHED. RELEASED FOR PUBLICATION, 19 .  
 © COPYRIGHT 19 BY AMP INCORPORATED. ALL INTERNATIONAL RIGHTS RESERVED.

LOC		DIST		P		F		ZONE		LTR		REVISIONS		DATE	APPD
CH	11											C	ECN 95032201	03-22-95	CMS

1. RETROFIT CONTACT FOR METRIMATE AND AMPLIMITE POWER CONTACT.
2. WIRE BARREL WILL ACCEPT #10 AWG WIRE.
3. MATES WITH PN 193642-1.



193643-1  
 PART NO

DO NOT SCALE PRINT. UNLESS SPECIFIED DIMENSIONS IN mm [INCHES] TOLERANCES ON : 2 PLC DEC ± 0.5 [0.02] 3 PLC DEC ± 0.25 [0.010] ANGLES ± -	DR D. WILSON 08-12-92	AMP Incorporated Harrisburg, PA 17105-3608
	CHK R. JAYNE 08-17-92	
MATERIAL	APPD A. GRIFFIN 08-17-92	NAME
-	APPD P. GLASER 08-17-92	SOCKET ASSY, POWER, #10 AWG
FINISH	PRODUCT SPEC	SIZE
-	APPLICATION SPEC	CAGE CODE
-	WEIGHT	DRAWING NO
-	-	C=193643
-	-	SCALE 10:1
-	-	SHEET 1 OF 1

THIS DRAWING IS A CONTROLLED DOCUMENT FOR AMP INCORPORATED. IT IS SUBJECT TO CHANGE AND THE CONTROLLING ENGINEERING ORGANIZATION SHOULD BE CONTACTED FOR THE LATEST REVISION.

单击下面可查看定价，库存，交付和生命周期等信息

[>>TE Connectivity\(泰科\)](#)