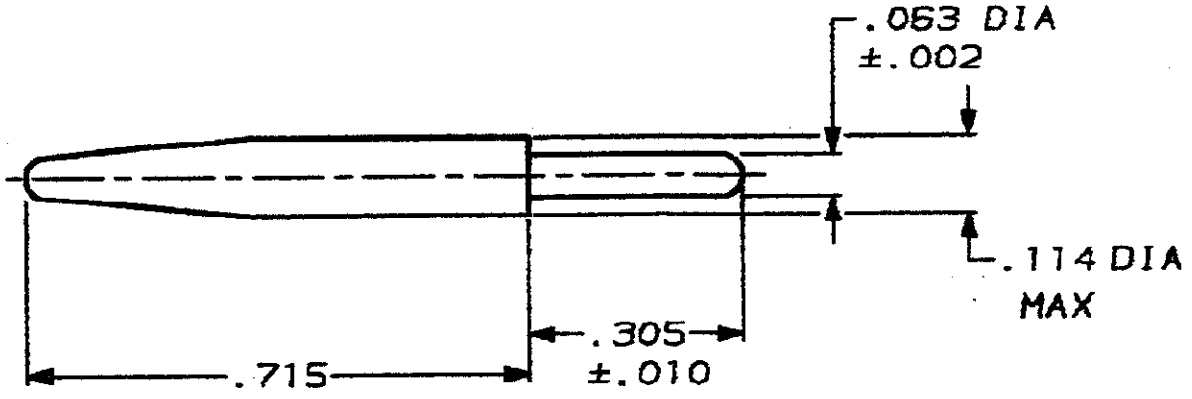


DRAWINGS MADE IN THIRD ANGLE PROJECTION

MOD	LOC	DIST	REVISIONS					
30	BD	39	P	F	LTR	DESCRIPTION	DATE	APPROVED
			✓		B	REDRAWN	7/26/90	<i>KS</i>

THIS DRAWING IS UNPUBLISHED. RELEASED FOR PUBLICATION BY AMP INCORPORATED. ALL INTERNATIONAL RIGHTS RESERVED. © COPYRIGHT 19



208338-1  
PART NO

DO NOT SCALE PRINT. DIMENSIONS IN MM UNLESS SPECIFIED. TOLERANCES ON: DIM PLG DEC \* - DIM PLG DEC ± .015 ANGLES \* - MATERIAL COLOR: TEFLON NATURAL FINISH -

DR 7/26/90 A. STAUD DS  
CHK *O. Muller* 1-2-91  
APPD *K. Beaver* 1-18-91  
APPD *J. Fulmer* 1/25/91  
PRODUCT SPEC -  
APPLICATION SPEC -  
WEIGHT -

**AMP** AMP INCORPORATED  
Harrisburg, Pa. 17105

NAME SEAL PROTECTOR, SOCKET, ECONOSEAL

SIZE	FSCN NO	DRAWING NO
<b>A</b>	00779	208338
SCALE	4:1	SHEET 1 OF 1

单击下面可查看定价，库存，交付和生命周期等信息

[>>TE Connectivity\(泰科\)](#)