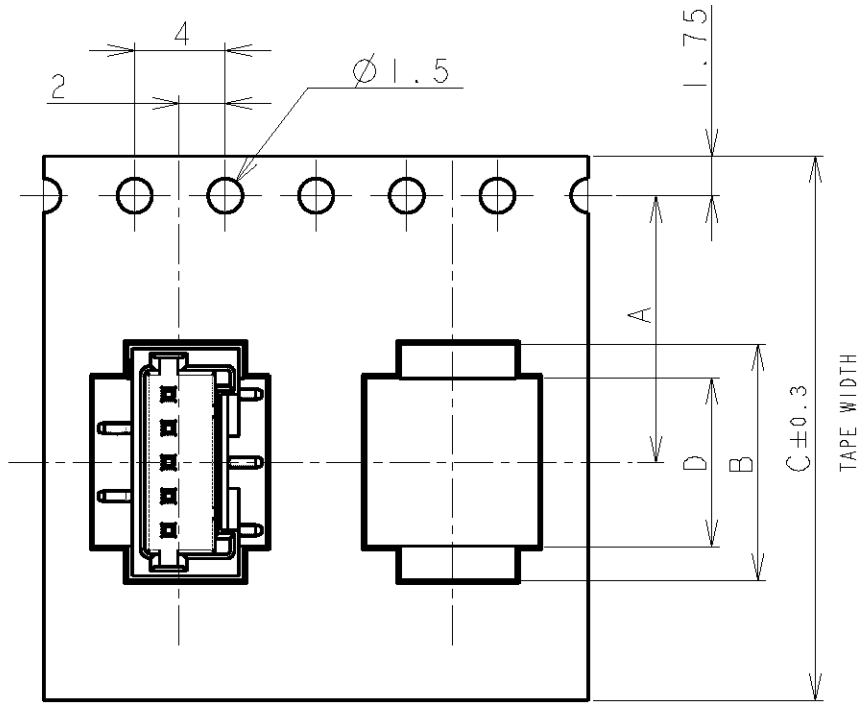


THIS DRAWING IS UNPUBLISHED.

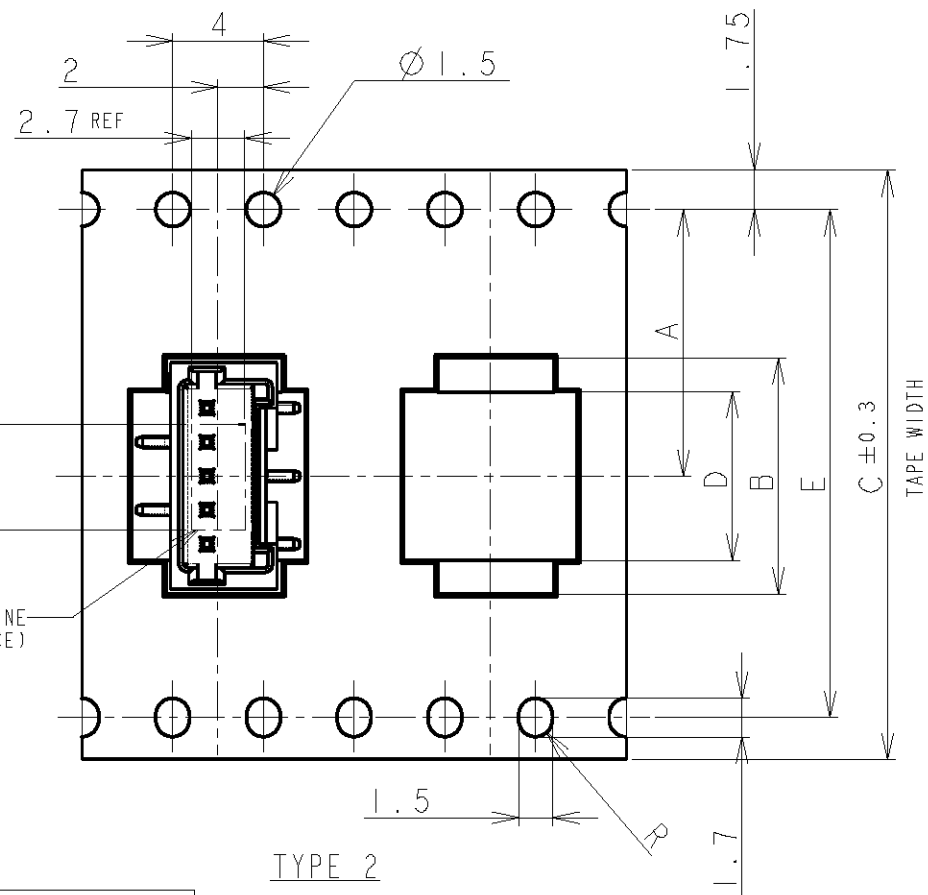
RELEASED FOR PUBLICATION

© COPYRIGHT BY ALL RIGHTS RESERVED.

| LOC | DIST | REVISIONS   |                           |        |      |     |
|-----|------|-------------|---------------------------|--------|------|-----|
| P   | LTR  | DESCRIPTION | DATE                      | DWN    | APVD |     |
| FB  | 00   | B1          | REVISED PER ECO-11-005033 | 2APR11 | RK   | HMR |

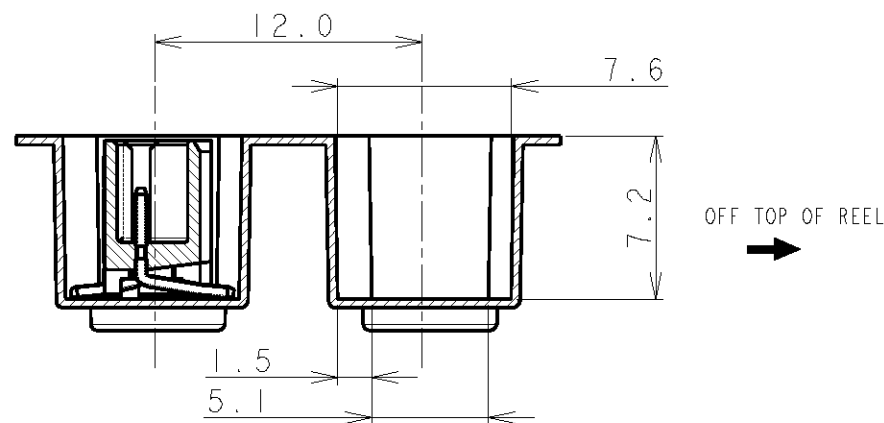
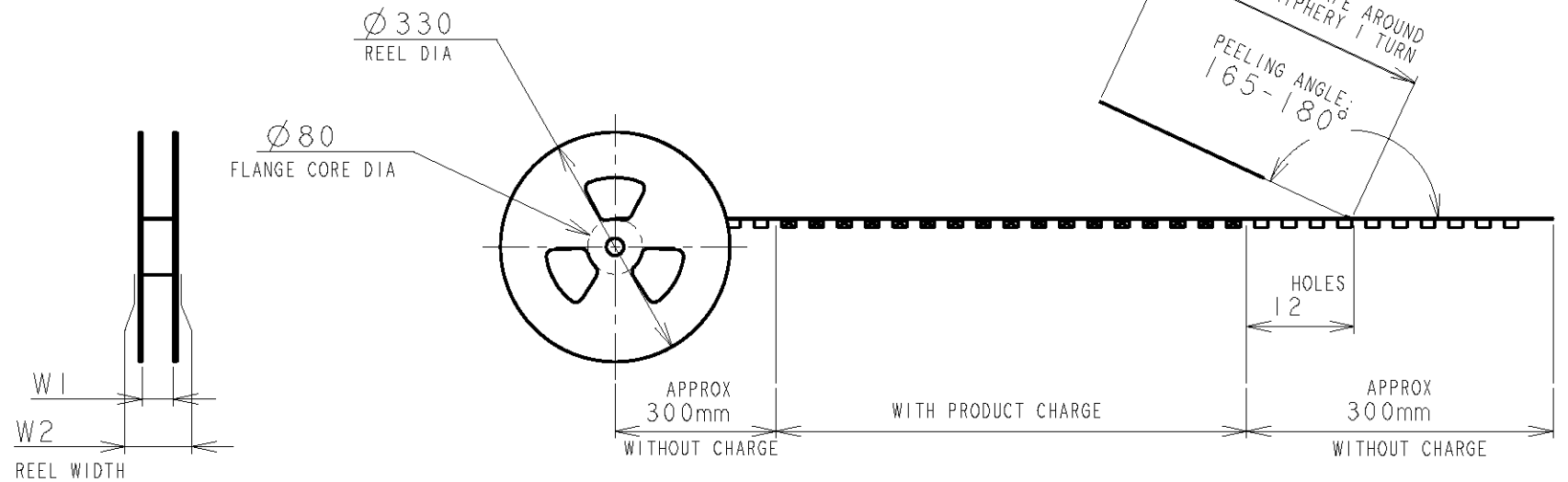
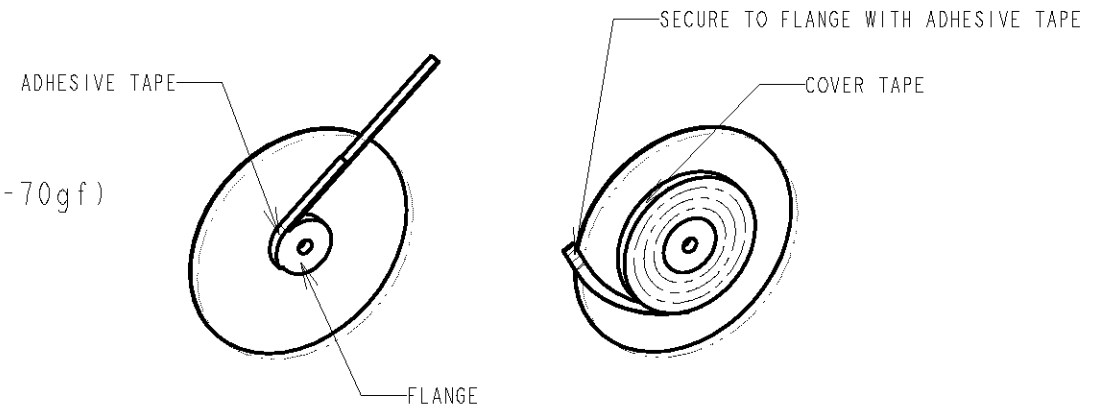


TYPE 1



TYPE 2

NOTE:  
 1. PEELING STRENGTH: 0.20-0.69N (20-70gf)  
 PEELING ANGLE: 165-180°  
 PEELING SPEED: 300mm/MINUTE.



VACUUM NOZZLE OUTLINE (FOR REFERENCE)

TOLERANCES UNLESS OTHERWISE SPECIFIED:

- 10 > : ±0.2
- 30 > \* > 10 : ±0.25
- 100 > \* > 30 : ±0.3
- ANGLE : ±3°

|  |  |   |                 |
|--|--|---|-----------------|
| DWN S.XU 31JAN03                       |  | <b>STE</b> TE Connectivity  |                 |
| CHK S.YAO 31JAN03                      |  |   |                 |
| APVD T.SASAKI 31JAN03                  |  | NAME AMP Mini Common Terminated (CT) Connector 1.5mm PITCH SINGLE ROW POST HDR ASS'Y (V) SMT TYPE WITH BOSS, EMBOSS TAPE PACKAGED |                 |
| PRODUCT SPEC 108-60018                 |  | SIZE A3   | CAGE CODE 00779 |
| APPLICATION SPEC 114-5223              |  | DRAWING NO C-292230   | RESTRICTED TO - |
| MATERIAL - FINISH -                    |  | WGT -   | SCALE NON       |
| DIMENSIONS: mm                         |  | SHEET 1 OF 4  |                 |
| TOLERANCES UNLESS OTHERWISE SPECIFIED: |  | REV B1  |                 |
| 0 PLC ±                                |  | CUSTOMER DRAWING  |                 |
| 1 PLC ±                                |  | SCALE NON   |                 |
| 2 PLC ± SEE L.H.S.                     |  | SHEET 1 OF 4  |                 |
| 3 PLC ±                                |  | REV B1  |                 |
| 4 PLC ±                                |  |   |                 |
| ANGLES ±                               |  |   |                 |

THIS DRAWING IS UNPUBLISHED.

ALL RIGHTS RESERVED.

© COPYRIGHT BY

|     |      |           |     |             |      |     |      |  |
|-----|------|-----------|-----|-------------|------|-----|------|--|
| LOC | DIST | REVISIONS |     |             |      |     |      |  |
| FB  | 00   | P         | LTR | DESCRIPTION | DATE | DWN | APVD |  |
|     |      |           |     | SEE SHEET 1 |      |     |      |  |

| TAPE TYPE  | TYPE 2 | W2         | W1   | F   | E    | D    | C  | B    | A         | QTY/REEL | POS | COLOR      | ON TAPE P/N |            |
|------------|--------|------------|------|-----|------|------|----|------|-----------|----------|-----|------------|-------------|------------|
|            |        | DIMENSIONS |      |     |      |      |    |      |           |          |     |            |             |            |
|            |        | 49.5       | 45.5 | 6.2 | 40.4 | 29.9 | 44 | 32.9 | 20.2±0.15 | 500      | 20  | BLACK      | 7-292230-0  |            |
|            |        | 49.5       | 45.5 | 4.7 | 40.4 | 28.4 | 44 | 31.4 |           | 500      | 19  |            | 6-292230-9  |            |
|            |        | 49.5       | 45.5 | 6.2 | 40.4 | 26.9 | 44 | 29.9 |           | 500      | 18  |            | 6-292230-8  |            |
|            |        | 49.5       | 45.5 | 4.7 | 40.4 | 25.4 | 44 | 28.4 |           | 500      | 17  |            | 6-292230-7  |            |
|            |        | 49.5       | 45.5 | 6.2 | 40.4 | 23.9 | 44 | 26.9 |           | 500      | 16  |            | 6-292230-6  |            |
|            |        | 49.5       | 45.5 | 4.7 | 40.4 | 22.4 | 44 | 25.4 |           | 500      | 15  |            | 6-292230-5  |            |
|            |        | 49.5       | 45.5 | 6.2 | 40.4 | 20.9 | 44 | 23.9 |           | 500      | 14  |            | 6-292230-4  |            |
|            |        | 49.5       | 45.5 | 4.7 | 40.4 | 19.4 | 44 | 22.4 |           | 500      | 13  |            | 6-292230-3  |            |
|            |        | 37.5       | 33.5 | 6.2 | 28.4 | 17.9 | 32 | 20.9 |           | 14.2     | 500 |            | 12          | 6-292230-2 |
|            |        | 37.5       | 33.5 | 4.7 | 28.4 | 16.4 | 32 | 19.4 |           | 14.2     | 500 |            | 11          | 6-292230-1 |
|            |        | 37.5       | 33.5 | 6.2 | 28.4 | 14.9 | 32 | 17.9 | 14.2      | 500      | 10  | 6-292230-0 |             |            |
|            |        | 37.5       | 33.5 | 4.7 | 28.4 | 13.4 | 32 | 16.4 | 14.2      | 500      | 9   | 5-292230-9 |             |            |
|            | TYPE 1 | 29.5       | 25.5 | 6.2 | -    | 11.9 | 24 | 14.9 | 11.5      | 500      | 8   | 5-292230-8 |             |            |
|            |        | 29.5       | 25.5 | 4.7 | -    | 10.4 | 24 | 13.4 | 11.5      | 500      | 7   | 5-292230-7 |             |            |
|            |        | 29.5       | 25.5 | 6.2 | -    | 8.9  | 24 | 11.9 | 11.5      | 500      | 6   | 5-292230-6 |             |            |
|            |        | 29.5       | 25.5 | 4.7 | -    | 7.4  | 24 | 10.4 | 11.5      | 500      | 5   | 5-292230-5 |             |            |
|            |        | 21.5       | 17.5 | 6.2 | -    | 5.9  | 16 | 8.9  | 7.5       | 500      | 4   | 5-292230-4 |             |            |
|            |        | 21.5       | 17.5 | 4.7 | -    | 4.4  | 16 | 7.4  | 7.5       | 500      | 3   | 5-292230-3 |             |            |
|            |        | 21.5       | 17.5 | 2.8 | -    | 2.9  | 16 | 5.9  | 7.5       | 500      | 2   | -          |             |            |
| TAPE TYPE  |        | W2         | W1   | F   | E    | D    | C  | B    | A         | QTY/REEL | POS | COLOR      | ON TAPE P/N |            |
| DIMENSIONS |        |            |      |     |      |      |    |      |           |          |     |            |             |            |

| TAPE TYPE  | TYPE 2 | W2         | W1   | F   | E    | D    | C  | B    | A         | QTY/REEL | POS | COLOR      | ON TAPE P/N |            |
|------------|--------|------------|------|-----|------|------|----|------|-----------|----------|-----|------------|-------------|------------|
|            |        | DIMENSIONS |      |     |      |      |    |      |           |          |     |            |             |            |
|            |        | 49.5       | 45.5 | 6.2 | 40.4 | 29.9 | 44 | 32.9 | 20.2±0.15 | 500      | 20  | BEIGE      | 2-292230-0  |            |
|            |        | 49.5       | 45.5 | 4.7 | 40.4 | 28.4 | 44 | 31.4 |           | 500      | 19  |            | 1-292230-9  |            |
|            |        | 49.5       | 45.5 | 6.2 | 40.4 | 26.9 | 44 | 29.9 |           | 500      | 18  |            | 1-292230-8  |            |
|            |        | 49.5       | 45.5 | 4.7 | 40.4 | 25.4 | 44 | 28.4 |           | 500      | 17  |            | 1-292230-7  |            |
|            |        | 49.5       | 45.5 | 6.2 | 40.4 | 23.9 | 44 | 26.9 |           | 500      | 16  |            | 1-292230-6  |            |
|            |        | 49.5       | 45.5 | 4.7 | 40.4 | 22.4 | 44 | 25.4 |           | 500      | 15  |            | 1-292230-5  |            |
|            |        | 49.5       | 45.5 | 6.2 | 40.4 | 20.9 | 44 | 23.9 |           | 500      | 14  |            | 1-292230-4  |            |
|            |        | 49.5       | 45.5 | 4.7 | 40.4 | 19.4 | 44 | 22.4 |           | 500      | 13  |            | 1-292230-3  |            |
|            |        | 37.5       | 33.5 | 6.2 | 28.4 | 17.9 | 32 | 20.9 |           | 14.2     | 500 |            | 12          | 1-292230-2 |
|            |        | 37.5       | 33.5 | 4.7 | 28.4 | 16.4 | 32 | 19.4 |           | 14.2     | 500 |            | 11          | 1-292230-1 |
|            |        | 37.5       | 33.5 | 6.2 | 28.4 | 14.9 | 32 | 17.9 | 14.2      | 500      | 10  | 1-292230-0 |             |            |
|            |        | 37.5       | 33.5 | 4.7 | 28.4 | 13.4 | 32 | 16.4 | 14.2      | 500      | 9   | 292230-9   |             |            |
|            | TYPE 1 | 29.5       | 25.5 | 6.2 | -    | 11.9 | 24 | 14.9 | 11.5      | 500      | 8   | 292230-8   |             |            |
|            |        | 29.5       | 25.5 | 4.7 | -    | 10.4 | 24 | 13.4 | 11.5      | 500      | 7   | 292230-7   |             |            |
|            |        | 29.5       | 25.5 | 6.2 | -    | 8.9  | 24 | 11.9 | 11.5      | 500      | 6   | 292230-6   |             |            |
|            |        | 29.5       | 25.5 | 4.7 | -    | 7.4  | 24 | 10.4 | 11.5      | 500      | 5   | 292230-5   |             |            |
|            |        | 21.5       | 17.5 | 6.2 | -    | 5.9  | 16 | 8.9  | 7.5       | 500      | 4   | 292230-4   |             |            |
|            |        | 21.5       | 17.5 | 4.7 | -    | 4.4  | 16 | 7.4  | 7.5       | 500      | 3   | 292230-3   |             |            |
|            |        | 21.5       | 17.5 | 2.8 | -    | 2.9  | 16 | 5.9  | 7.5       | 500      | 2   | -          |             |            |
| TAPE TYPE  |        | W2         | W1   | F   | E    | D    | C  | B    | A         | QTY/REEL | POS | COLOR      | ON TAPE P/N |            |
| DIMENSIONS |        |            |      |     |      |      |    |      |           |          |     |            |             |            |

DIMENSIONS: mm

TOLERANCES UNLESS OTHERWISE SPECIFIED:

|        |         |
|--------|---------|
| 0 PLC  | ±       |
| 1 PLC  | ±0.1    |
| 2 PLC  | ±0.01   |
| 3 PLC  | ±0.001  |
| 4 PLC  | ±0.0001 |
| ANGLES | ±       |

DWN

CHK

APVD

PRODUCT SPEC  
SEE SHEET 1 OF 4

APPLICATION SPEC  
SEE SHEET 1 OF 4

WEIGHT

CUSTOMER DRAWING

MATERIAL

FINISH

**STE** TE Connectivity

NAME AMP Mini Common Terminated (CT) Connector 1.5mm PITCH  
SINGLE ROW POST HDR ASS'Y (V)  
SMT TYPE WITH BOSS, EMBOSS TAPE PACKAGED

SIZE A4 CAGE CODE 00779 DRAWING NO G-292230 RESTRICTED TO -

SCALE NON SHEET 2 OF 4 REV B1

Downloaded From [Oneyac.com](http://Oneyac.com)


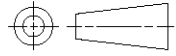


|     |      |           |     |             |      |     |      |
|-----|------|-----------|-----|-------------|------|-----|------|
| LOC | DIST | REVISIONS |     |             |      |     |      |
| FB  | 00   | P         | LTR | DESCRIPTION | DATE | DWN | APVD |
|     |      | -         |     | SEE SHEET 1 | -    | -   | -    |

|            |            |      |      |      |      |            |             |
|------------|------------|------|------|------|------|------------|-------------|
| 0.98       | 31.5       | 32.5 | 30.6 | 28.5 | 20   | 7-292230-0 | 2-292230-0  |
| 0.93       | 30.0       | 31.0 | 29.1 | 27.0 | 19   | 6-292230-9 | 1-292230-9  |
| 0.89       | 28.5       | 29.5 | 27.6 | 25.5 | 18   | 6-292230-8 | 1-292230-8  |
| 0.84       | 27.0       | 28.0 | 26.1 | 24.0 | 17   | 6-292230-7 | 1-292230-7  |
| 0.80       | 25.5       | 26.5 | 24.6 | 22.5 | 16   | 6-292230-6 | 1-292230-6  |
| 0.75       | 24.0       | 25.0 | 23.1 | 21.0 | 15   | 6-292230-5 | 1-292230-5  |
| 0.71       | 22.5       | 23.5 | 21.6 | 19.5 | 14   | 6-292230-4 | 1-292230-4  |
| 0.66       | 21.0       | 22.0 | 20.1 | 18.0 | 13   | 6-292230-3 | 1-292230-3  |
| 0.62       | 19.5       | 20.5 | 18.6 | 16.5 | 12   | 6-292230-2 | 1-292230-2  |
| 0.57       | 18.0       | 19.0 | 17.1 | 15.0 | 11   | 6-292230-1 | 1-292230-1  |
| 0.52       | 16.5       | 17.5 | 15.6 | 13.5 | 10   | 6-292230-0 | 1-292230-0  |
| 0.48       | 15.0       | 16.0 | 14.1 | 12.0 | 9    | 5-292230-9 | 292230-9    |
| 0.43       | 13.5       | 14.5 | 12.6 | 10.5 | 8    | 5-292230-8 | 292230-8    |
| 0.39       | 12.0       | 13.0 | 11.1 | 9.0  | 7    | 5-292230-7 | 292230-7    |
| 0.34       | 10.5       | 11.5 | 9.6  | 7.5  | 6    | 5-292230-6 | 292230-6    |
| 0.30       | 9.0        | 10.0 | 8.1  | 6.0  | 5    | 5-292230-5 | 292230-5    |
| 0.25       | 7.5        | 8.5  | 6.6  | 4.5  | 4    | 5-292230-4 | 292230-4    |
| 0.20       | 6.0        | 7.0  | 5.1  | 3.0  | 3    | 5-292230-3 | 292230-3    |
| 0.17       | 4.5        | 5.5  | 3.6  | 1.5  | 2    | -          | -           |
| WEIGHT (g) | D          | C    | B    | A    | Pos. | BLACK      | BEIGE (NAT) |
|            | DIMENSIONS |      |      |      |      | P/N        |             |

THIS DRAWING IS UNPUBLISHED. ALL RIGHTS RESERVED.

COPYRIGHT BY

|   |  |  |               |
|---|--|--|---------------|
| DIMENSIONS: mm  | DWN  | MATERIAL   | FINISH        |
| TOLERANCES UNLESS OTHERWISE SPECIFIED:  | CHK  | SEE SHEET 1  | SEE SHEET 1   |
| 0 PLC ±   | APVD   |  <b>TE Connectivity</b> |               |
| 1 PLC ±   | PRODUCT SPEC   |  |               |
| 2 PLC ±   | APPLICATION SPEC   | NAME   |               |
| 3 PLC ±   | WEIGHT   | AMP MINI COMMON TERMINATED (CT) CONNECTOR 1.5 mm PITCH   |               |
| 4 PLC ±   |  | SIZE   | CAGE CODE     |
| ANGLES ±  |  | A4   | 00779         |
|  | CUSTOMER DRAWING   | DRAWING NO   | RESTRICTED TO |
|   |  | C-292230   |               |
|   | Downloaded From <a href="http://Oneyac.com">Oneyac.com</a> | SCALE  | SHEET 4 OF 4  |
|   |  | NON  | REV B1        |

单击下面可查看定价，库存，交付和生命周期等信息

[>>TE Connectivity\(泰科\)](#)