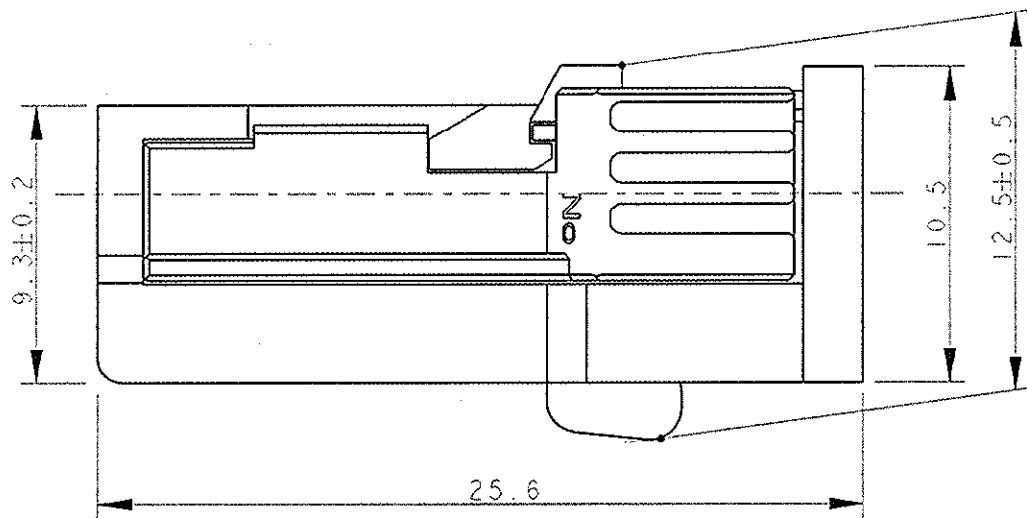
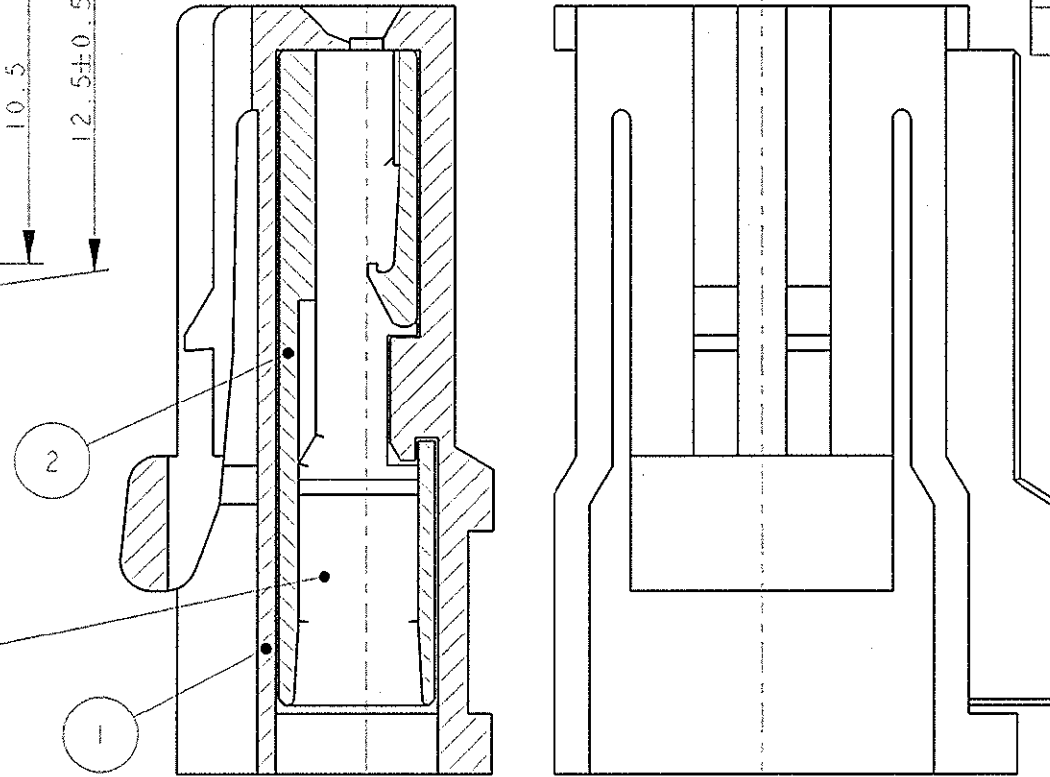


#	LTR	DESCRIPTION	DATE	DWN	APVD
A		FIRST ISSUE - ET00-0038-00	18FEB2000	F.C.	O.C.
B		RELEASED FOR PRODUCTION (ET00-0017-02)	04APR2002	M.P.	O.C.
BI		UPDATED DRAWING (ET00-0253-04)	12JAN2005		

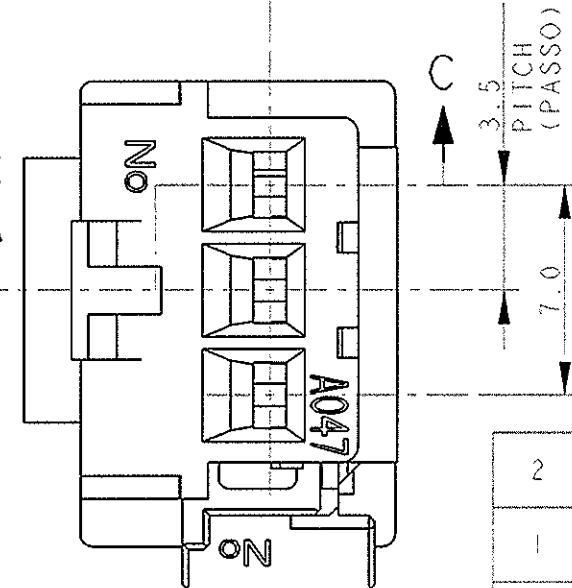
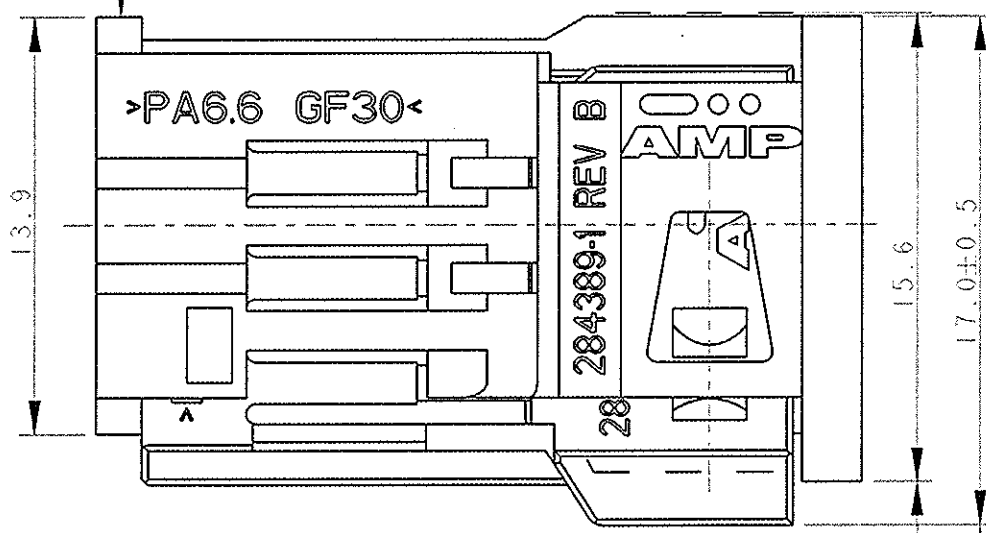
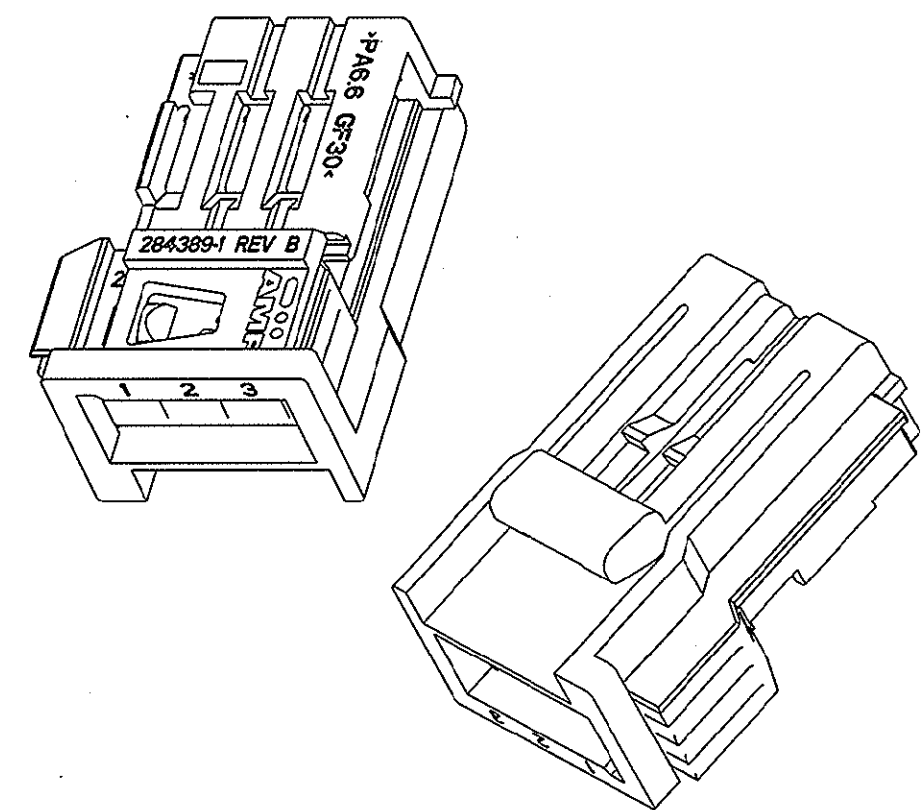


SECTION C-C
(SEZIONE)



3 CAV. FOR NEW GENERATION MULTILOCK RECEPTACLE CONTACT P/N 284087-1, 284088-1 AND 284166-1 (3 CAV. PER CONTATTI FEMMINA NUOVA GENERAZIONE P/N 284087-1, 284088-1 E 284166-1)

SUPPLIED WITH SEC. LOCKING DEVICE ON PRE-ASSEMBLED POSITION (FORNITO CON IL DISPOSITIVO DI AGGANCIO SECONDARIO IN POS. PRE-ASSEMBLATO)



OVERALL DIMENSION WITH SEC. LOCK CLOSED (INGOMBRO CON AGGANCIO SECONDARIO CHIUSO)

OVERALL DIMENSION WITH SEC. LOCK OPENED (INGOMBRO CON AGGANCIO SECONDARIO APERTO)

284387-1 AS SHOWN (COME MOSTRATO)

ITEM	DESCRIPTION (DESCRIZIONE)	FINISH/COLOUR (FINITURA/COLORE)	MATERIAL (MATERIALE)	P/N APPLICATION PANEL (P/N DIMA DI APPLICAZIONE)
2	3 POS. RECEPTACLE HOUSING (BLOCC. PORTA FEMMINE 3 POS.)	WHITE (BIANCO)	PA 6.6 - GF	282594-1
1	SEC. LOCK FOR 3 POS. REC. HSG. (AGGANCIO SECONDARIO PER BLOCC. PORTA FEMMINE 3 POS.)	WHITE (BIANCO)	PA 6.6 - GF	

<small>THIS DRAWING IS A CONTROLLED DOCUMENT FOR AMP INCORPORATED. IT IS SUBJECT TO CHANGE AND THE CONTROLLING ENGINEERING ORGANIZATION SHOULD BE CONTACTED FOR THE LATEST REVISION.</small>		DWN F CRESSEVICH 18FEB2000 CHK O CANUTO 18FEB2000 APVD A GENTA 18FEB2000
DIMENSIONS: mm	TOLERANCES UNLESS OTHERWISE SPECIFIED: 0 PLC ±0.3 1 PLC ±0.3 2 PLC ±0.3 3 PLC ± 4 PLC ± ANGLES ±°	NAME 3 POS. FEMALE CONNECTOR ASS'Y (BLOCCHETTO PORTA FEMMINE 3 VIE ASSEMBLATO NUOVA GENERAZIONE) PRODUCT SPEC 108-20175 APPLICATION SPEC 114-20098 WEIGHT CUSTOMER DRAWING
MATERIAL SEE TABLE (VED. TABELLA)	FINISH SEE TABLE (VED. TABELLA)	SIZE A3 CAGE CODE 00779 DRAWING NO C-284387 SCALE 4:1 SHEET 1 OF 1 REV BI

AMP AMP Italia S.p.A. C.so F.lli Cervi 15 Collegno (TO)

NAME 3 POS. FEMALE CONNECTOR ASS'Y (BLOCCHETTO PORTA FEMMINE 3 VIE ASSEMBLATO NUOVA GENERAZIONE)

SIZE A3 CAGE CODE 00779 DRAWING NO C-284387

SCALE 4:1 SHEET 1 OF 1 REV BI

单击下面可查看定价，库存，交付和生命周期等信息

[>>TE Connectivity\(泰科\)](#)