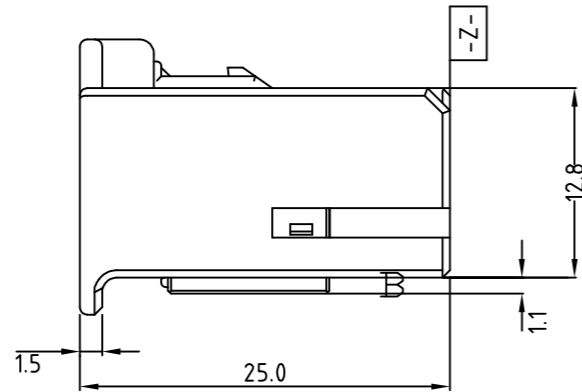
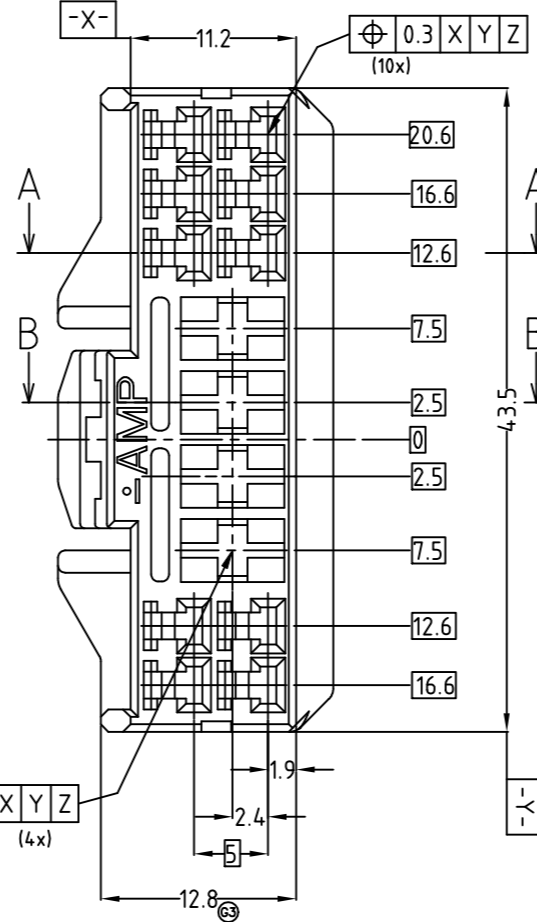
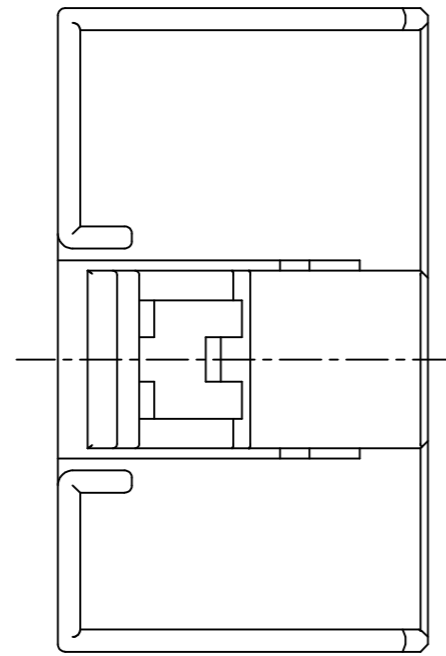
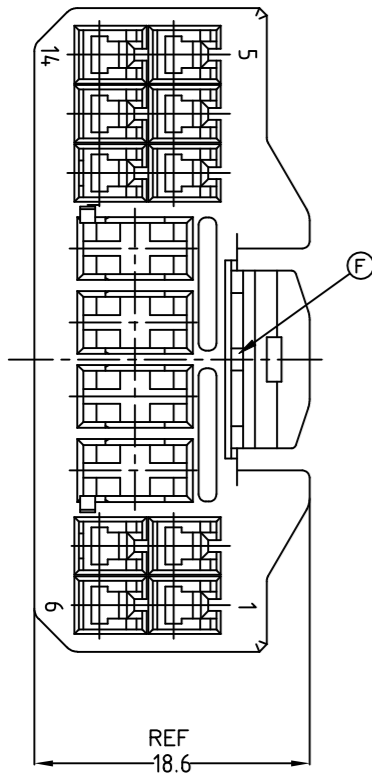
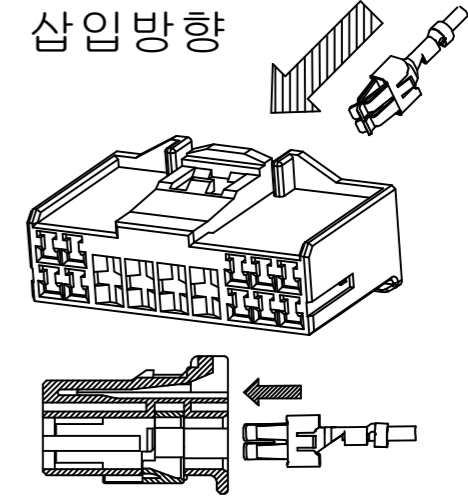


REVISIONS

P	LTR	DESCRIPTION	DATE	DWN	APVD
F1		REVISED (ECR-09-019350)	31.AUG.'09	KT	HG
G		REVISED (ECR-10-014220)	11.AUG.'10	SJ	HG
G1		REVISED (ECR-12-019821)	15.NOV.'12	JM	HG
G2		REVISED (ECR-15-007158)	08.MAR.'15	JM	HG
G3		REVISED (ECR-16-000017)	25.JAN.'16	JM	HG
G4		REVISED (ECR-18-019271)	11DEC2018	JM	YJ

삽입방향



NOTE

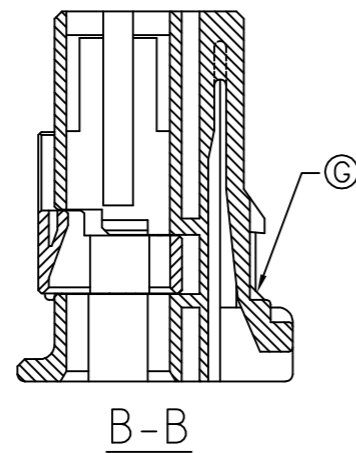
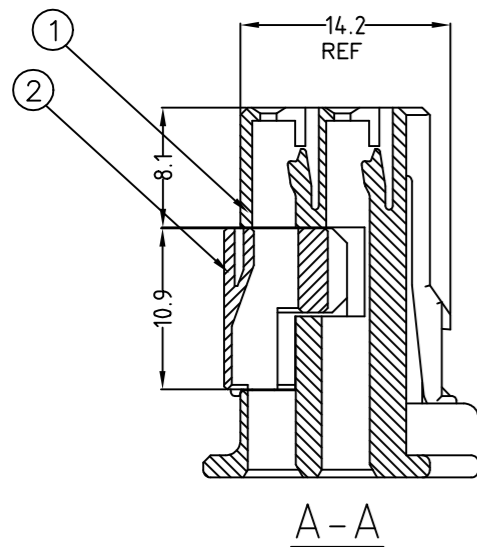
- APPLIED CONTACT P/N;
 090 II- 368083, 368084, 368085
 090 III- 1743654, 1743655, 1743656
 S.P.T.- 927840-2, 927831-2, 927827-2, 927829-2, 964203-1, 964204-1

-주기-

- 적용단자 P/N. ; 090 II - 368083, 368084, 368085
 090 III - 1743654, 1743655, 1743656
 S.P.T. - 927840-2, 927831-2, 927827-2, 927829-2, 964203-1, 964204-1

ASS'Y P/N	368451-1	368451-3	368451-4	368451-8

NO.	COLOR	MATERIAL	DESCRIPTION	QT'Y
2	NATURAL	PBT	.090/.250 HYB 14P DBL	1 1 1 1
1	BLUE	PBT	.090/.250 HYB 14P PLUG	
	BROWN	PBT	.090/.250 HYB 14P PLUG	1
	GRAY	PBT	.090/.250 HYB 14P PLUG	1
	NATURAL	PBT	.090/.250 HYB 14P PLUG	1



THIS DRAWING IS A CONTROLLED DOCUMENT FOR TYCO ELECTRONICS CORPORATION
 IT IS SUBJECT TO CHANGE AND THE CONTROLLING ENGINEERING ORGANIZATION
 SHOULD BE CONTACTED FOR THE LATEST REVISION.

DWN	DWN		
CHK	CHK		
APVD	APVD		
PRODUCT SPEC	-		
APPLICATION SPEC	-		
MATERIAL	SEE TABLE	FINISH	
TE Connectivity		NAME	
.090/.250 HYBRID 14P PLUG ASSEMBLY		RESTRICTED TO	
SIZE	CAGE CODE	DRAWING NO	
A3	00779	C=368451	
CUSTOMER DRAWING		SCALE	SHEET
		2/1	1 OF 1
		REV	G4

单击下面可查看定价，库存，交付和生命周期等信息

[>>TE Connectivity\(泰科\)](#)