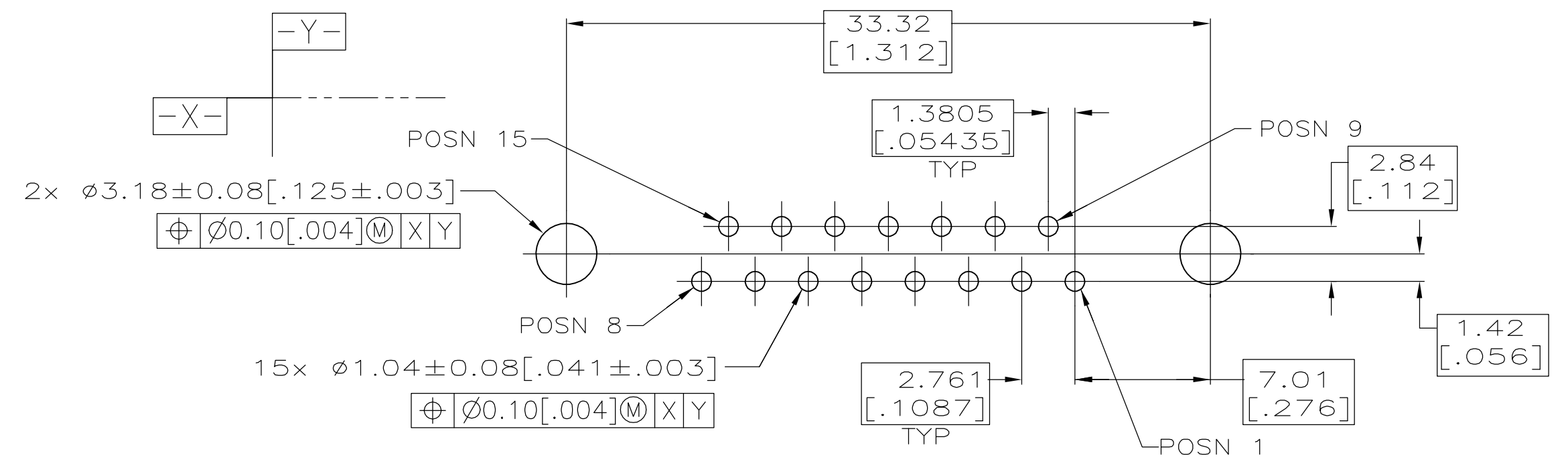
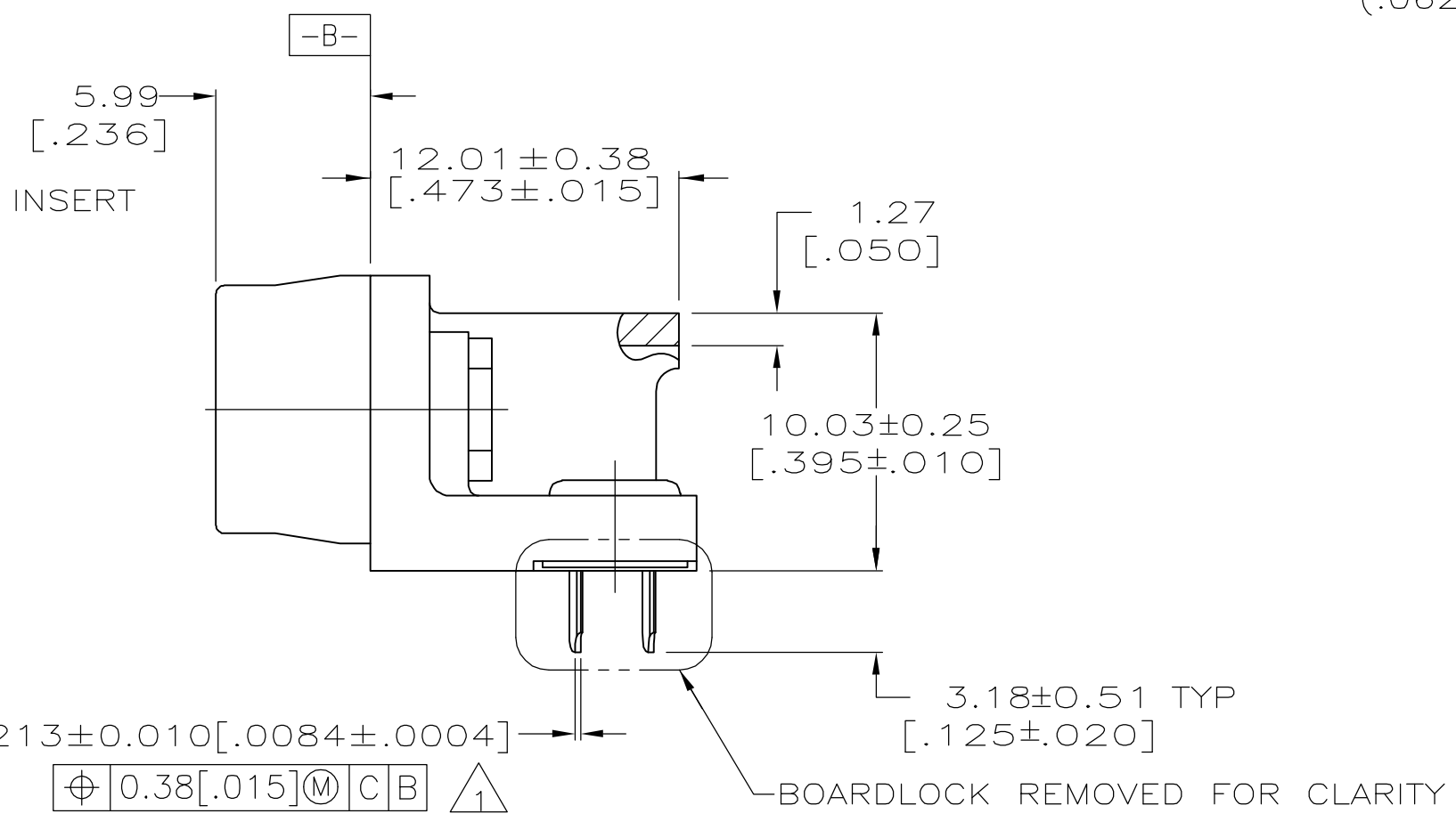
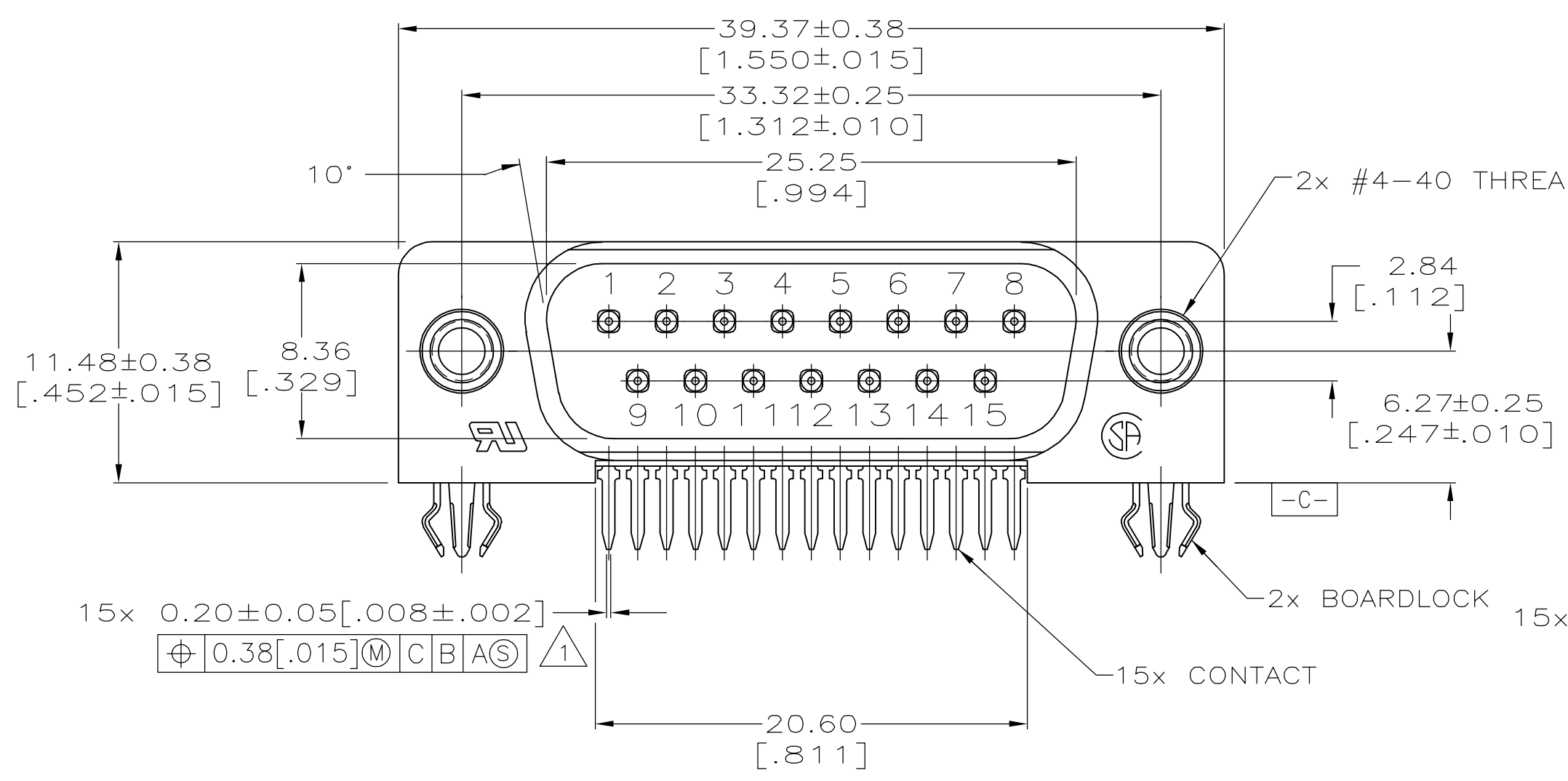


TYCO, PART NO & DATE CODE, MARKED IN AREA INDICATED

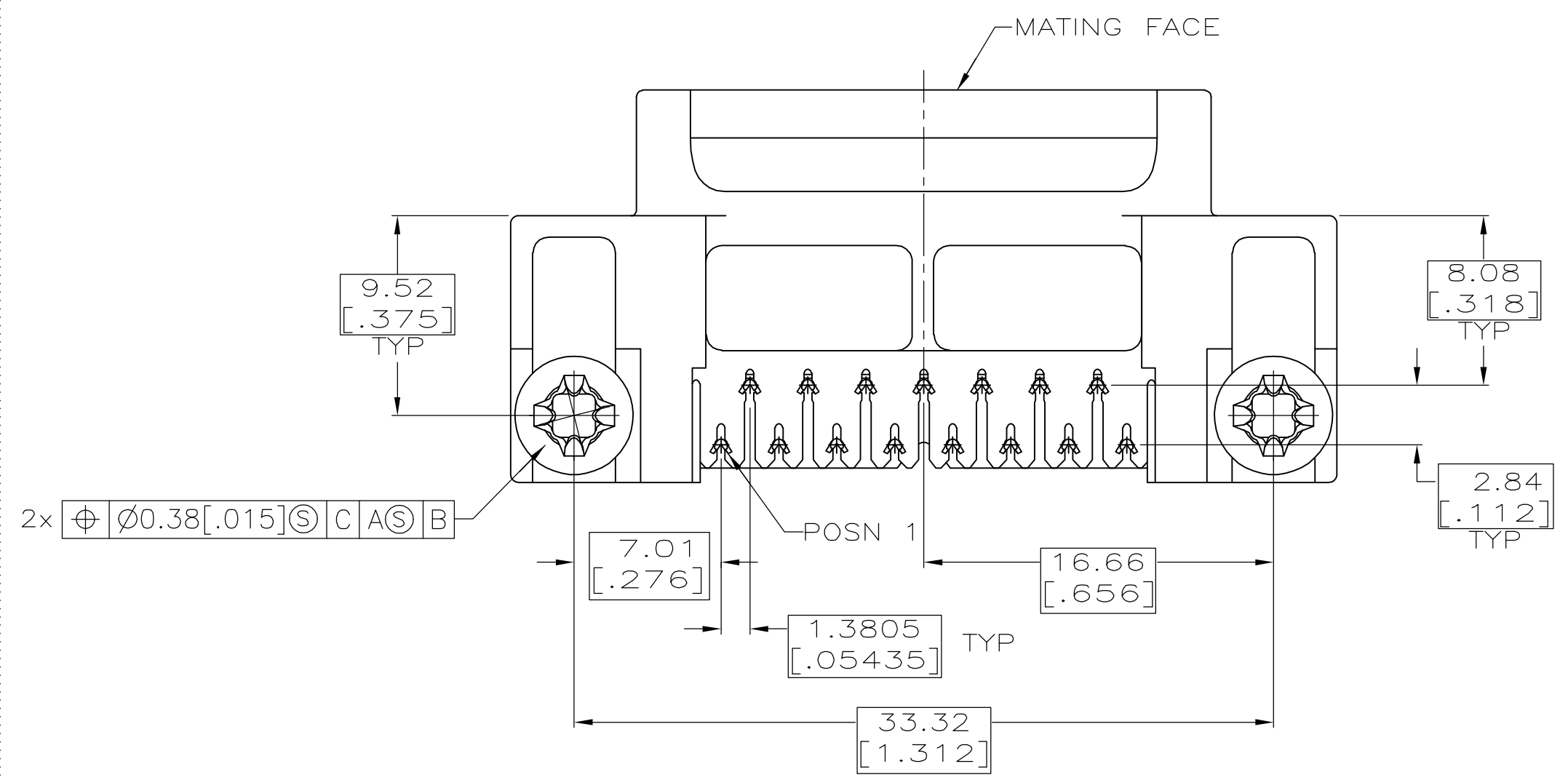
Q OF DATUM A



PC BOARD MOUNTING DIMENSIONS  
 (.062 PC BOARD THICKNESS)



- △ POSITION TOLERANCE APPLIES AT TIP ONLY.
- △ HOUSING: FLAME RETARDANT 94V-0, GLASS FILLED, NYLON OR POLYESTER, COLOR BLACK.
- CONTACTS: BARSS
- EYELETS: BRASS
- INSERTS: ZINC
- BOARDLOCKS: COPPER ALLOY
- △ EYELETS: 2.54 μm [.000100] MIN TIN OVER COPPER FLASH.
- BOARDLOCKS: 3.81 μm [.00015] MIN TIN OVER 1.27 μm [.000050] MIN NICKEL.
- CONTACTS: GOLD PLATED FOR A LENGTH OF 3.81 [.150] MIN FROM MATING END, 0.76 μm [.000030] MIN GOLD IN MATED AREA, 2.54 μm [.0001] MIN TIN FOR A LENGTH OF 3.68 [.145] MIN FROM OPPOSITE END, BOTH OVER 1.27 μm [.000050] MIN NICKEL.
- INSERTS: CLEAR CHROMATE COATING.



5748904-1  
 PART NO

**COPYRIGHT 2005  
 TYCO ELECTRONICS CORP  
 ALL RIGHTS RESERVED**

THIS DRAWING IS A CONTROLLED DOCUMENT.		DWN G.PETERS 20SEP05	20SEP05		Tyco Electronics Corporation Harrisburg, PA 17105-3608	
DIMENSIONS: mm [INCHES]		CHK S.BOLASH 20SEP05	20SEP05		NAME PLUG ASSEMBLY, SIZE 2, 15 POSN, ALL PLASTIC, RIGHT ANGLE, .318 SERIES, AMPLIMITE III	
TOLERANCES UNLESS OTHERWISE SPECIFIED:		APVD M.WALMSLEY 20SEP05	20SEP05	PRODUCT SPEC 108-1226		
0 PLC ± -		APPLICATION SPEC 114-40027		SIZE A1		
1 PLC ± -		WEIGHT		CAGE CODE 00779		
2 PLC ± 0.13 [.005]		CUSTOMER DRAWING		DRAWING NO 5748904		
3 PLC ± -		SCALE 4:1		SHEET 1 OF 1		
4 PLC ± -		RESTRICTED TO		REV 0		
ANGLES ± Z						

单击下面可查看定价，库存，交付和生命周期等信息

[>>TE Connectivity\(泰科\)](#)

[>>点击查看相关商品](#)