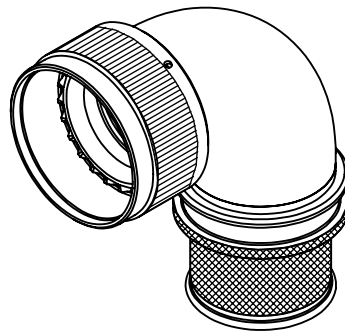


REVISIONS



NOTES:

1. THIS PRODUCT IS DESIGNED TO TERMINATE A BRAIDED CABLE SHIELD BY MEANS OF A BAND STRAP AND A HEAT SHRINKABLE LIPPED BOOT TO A CONNECTOR.
2. SEE DRAWING BND-XXXXX FOR BAND STRAP OPTIONS, DIMENSIONS AND INFORMATION.
3. BACKSHELL TO BE PERMANENTLY MARKED/ BAGGED AND LABELLED WITH PART NUMBER AND BATCH NUMBER. (e.g. BTA3-14-09-1-B-SE P123456)
4. AVAILABLE ENTRY SIZES ARE SHOWN IN TABLE 1. FOR ALTERNATIVE ENTRY SIZES, PLEASE CONTACT DESIGN AUTHORITY.
5. BACKSHELL MATES TO MIL-DTL-26482 SERIES II / MIL-DTL-83723 SERIES I & III

BTA3-14-05-1-C-SE

SERIES _____
 CONNECTOR INTERFACE _____
 ANGLE (3-90°) _____
 SHELL SIZE (TABLE 1) _____
 ENTRY SIZE (TABLE 2) _____
 MATERIAL (TABLE 3) _____
 FINISH (TABLE 3) _____
 SWEEP ELBOW STYLE _____

RELEASED FOR PUBLICATION

ALL RIGHTS RESERVED.

THIS DRAWING IS UNPUBLISHED.

© COPYRIGHT 20 BY

DIMENSIONS: MILLIMETERS	DWN: K.KUTA-WINCZURA 24/10/2019	MATERIAL: SEE TABLE 3	FINISH: SEE TABLE 3		
	CHK: DIW 28/10/2019	STE TE Connectivity			
TOLERANCES UNLESS OTHERWISE SPECIFIED:	APVD: M.PAUL 28/10/2019			PART NUMBER:	BTA(SE) SERIES
GENERAL TOL LINEAR ±0,25MM ANGULAR ±1°	PRODUCT SPEC:	NAME:			
	APPLICATION SPEC:	BANDING BACKSHELL, 90DEG			
	WEIGHT:	SIZE	CAGE CODE	DRAWING NO	RESTRICTED TO
	CUSTOMER DRAWING	A4	U5792	Ⓒ-P42404	
		SCALE	SHEET	REV	
		1:1	1 OF 2	AD	

REVISIONS

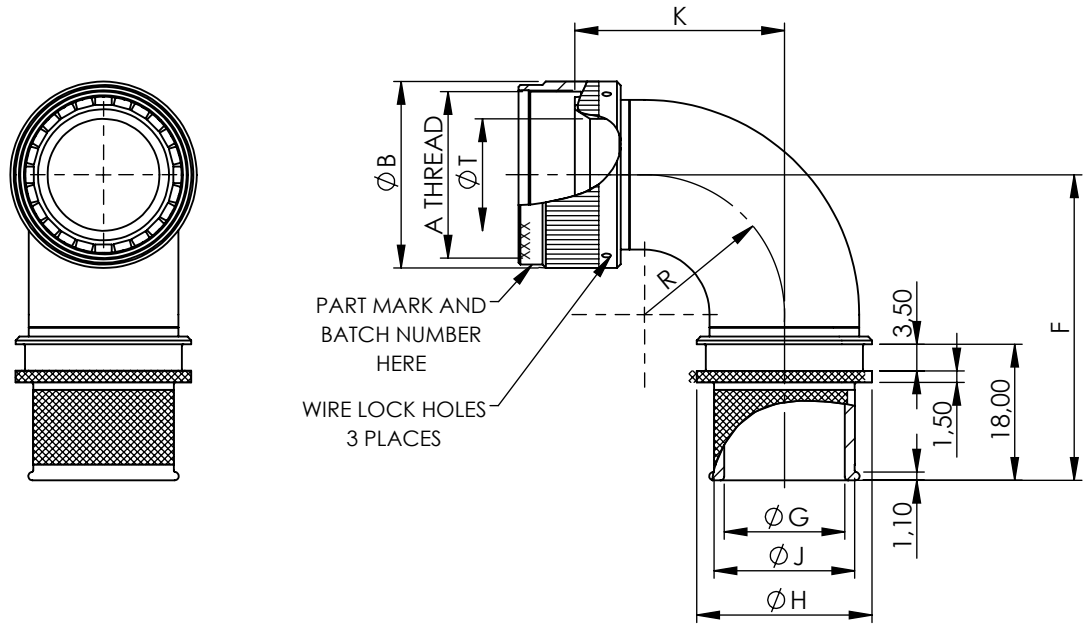


TABLE 1

SHELL SIZE	A THREAD	$\varnothing B$ MAX	K MAX	F MAX	R REF.	$\varnothing T$ MIN	ENTRY SIZES
08	1/2 -20UNF	15,6	19,2	31,9	9,0	6,6	04
10	5/8 - 24UNEF	18,6	22,4	35,1	12,2	9,3	04, 05
12	3/4 - 20UNEF	21,7	25,6	38,3	15,4	12,8	06, 08
14	7/8 - 20UNEF	24,9	28,7	41,4	18,5	14,7	07, 09
16	1 - 20UNEF	28,2	31,9	44,6	21,7	17,8	09, 11
18	1 1/16 - 18UNEF	30,9	35,1	47,8	24,9	19,8	10, 12
20	1 3/16 - 18UNEF	34,1	38,3	51,0	28,1	23,0	11, 14
22	1 5/16 - 18UNEF	37,3	41,4	54,1	31,2	26,2	13, 16
24	1 7/16 - 18UNEF	40,4	44,6	57,3	34,4	29,1	15, 18

TABLE 2

ENTRY SIZE	$\varnothing G$	$\varnothing J$	$\varnothing H$ MAX
04	6,35	9,40	13,99
05	7,92	11,00	15,56
06	9,53	12,50	17,16
07	11,12	14,10	18,76
08	12,70	15,70	20,34
09	14,27	17,30	21,91
10	15,87	18,80	23,52
11	17,47	20,50	25,11
12	19,05	22,00	26,69
13	20,62	23,60	28,26
14	22,23	25,20	29,87
15	23,82	26,80	31,46
16	25,40	28,40	33,04
18	28,60	31,60	36,30

TABLE 3


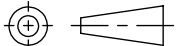
CODE	MATERIAL / PLATING
1-B	ALUMINIUM ALLOY / CADMIUM OLIVE DRAB OVER ELECTROLESS NICKEL
1-C	ALUMINIUM ALLOY / ELECTROLESS NICKEL
1-ZN	ALUMINIUM ALLOY / ZINC NICKEL BLACK PASSIVATE OVER ELECTROLESS NICKEL
4-J	STAINLESS STEEL / PASSIVATE

RELEASED FOR PUBLICATION

ALL RIGHTS RESERVED.

THIS DRAWING IS UNPUBLISHED.

© COPYRIGHT 20 BY

DIMENSIONS: MILLIMETERS	DWN: K.KUTA-WINCZURA 24/10/2019	MATERIAL: SEE TABLE 3	FINISH: SEE TABLE 3
	CHK: DIW 28/10/2019	 TE Connectivity	
TOLERANCES UNLESS OTHERWISE SPECIFIED:	APVD: M.PAUL 28/10/2019		
GENERAL TOL LINEAR $\pm 0,25$ MM ANGULAR $\pm 1^\circ$	PRODUCT SPEC: -	NAME: BANDING BACKSHELL, 90DEG	
	APPLICATION SPEC: -	SIZE: A4	CAGE CODE: U5792
	WEIGHT:	DRAWING NO: C-P42404	RESTRICTED TO
	CUSTOMER DRAWING	SCALE: 1:1	SHEET: 2 OF 2
		REV: AD	

单击下面可查看定价，库存，交付和生命周期等信息

[>>TE Connectivity\(泰科\)](#)