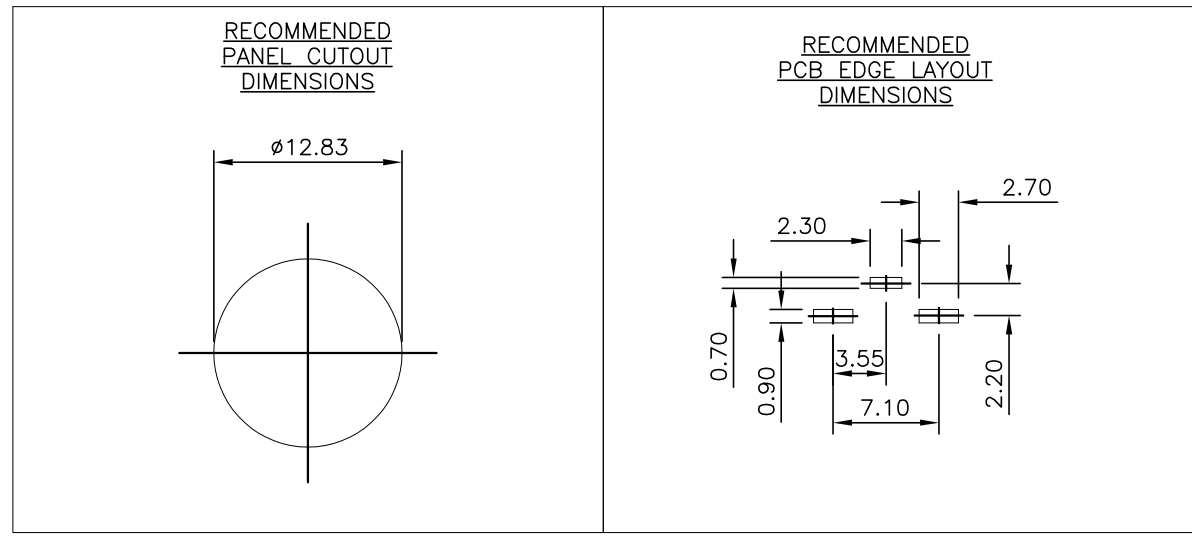
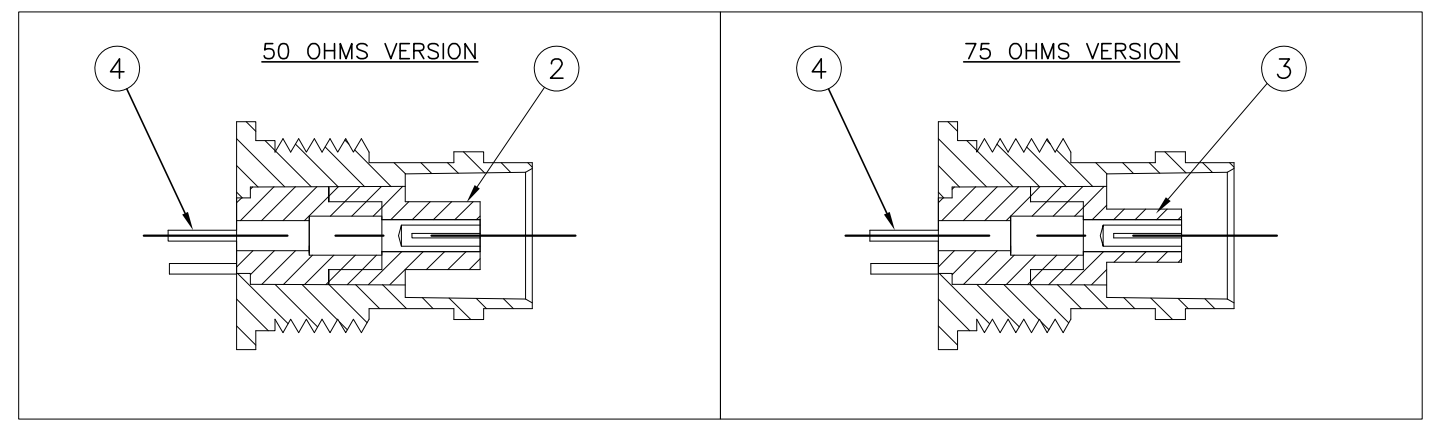
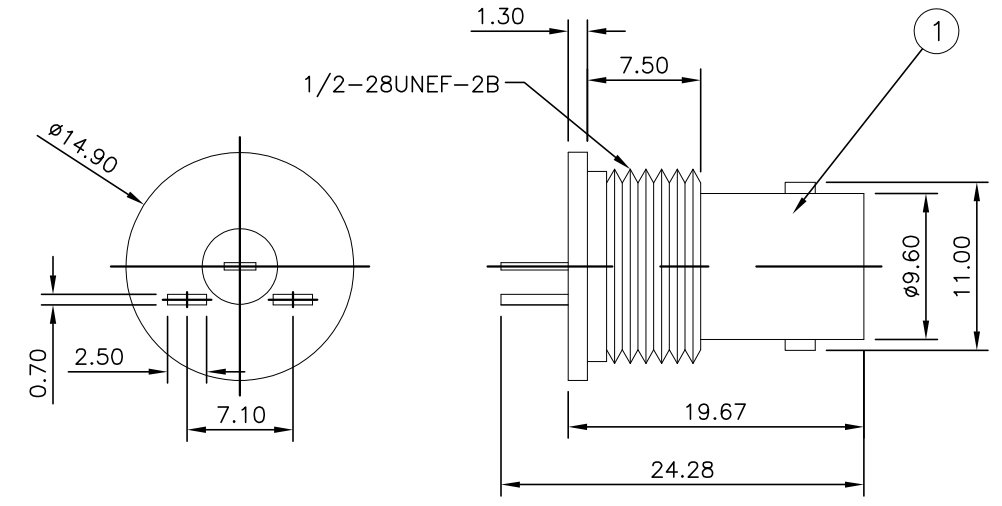


THIS DRAWING IS UNPUBLISHED. RELEASED FOR PUBLICATION MAR ,2006.  
 © COPYRIGHT 2006 By - ALL RIGHTS RESERVED.

LOC	DIST	REVISIONS			
P	LTR	DESCRIPTION	DATE	DWN	APVD
E	B	D1	REVISED PER ECO-11-005033	01APR11	RK HMR
E		ECO-12-014680	20Aug2012	TITAN	MARTIN

- NOTES**
- 1 100 TRAY PACK IN ACCORDANCE WITH AMP SPEC 107-3275
  - 2 SINGLE PACK IN ACCORDANCE WITH AMP SPEC 107-3275
  - 3 Au PLATING
  - 4 Ni PLATING
  - 5 FOR TECHNICAL DATA REFER TO YOUR LOCAL TE CONNECTIVITY SALES OFFICE
  - 6 ALL DIMENSIONS ARE NOMINAL FOR REFERENCE ONLY UNLESS OTHERWISE STATED



	Obsolete	Obsolete	Obsolete					
	1	1	1	1	PHOS BRONZE	3	CONTACT	4
	1	1	-	-	POLYMETHYLPENTENE		INSULATOR	3
	1	-	1	1	POLYMETHYLPENTENE		INSULATOR	2
	1	1	1	1	ZINC ALLOY	4	BODY	1
	5--3	5--2	5--1	5--0				
	2	1	2	1				
QUANTITY PER ASSY				PARTS LIST				

THIS DRAWING IS A CONTROLLED DOCUMENT.

DWN RITA ZUO 14 Feb 09  
 CHK ANSON MA 14 Feb 09  
 APVD BOB ZHAO 14 Feb 09

**STE** TE Connectivity

NAME: BNC BULKHEAD SOCKET EDGE MOUNT

PRODUCT SPEC: 108-112000

APPLICATION SPEC: -

SIZE: A3 CAGE CODE: 00779 DRAWING NO: C-1634521 RESTRICTED TO: -

MATERIAL: SEE TABLE FINISH: -

WEIGHT: -

CUSTOMER DRAWING SCALE: NTS SHEET: 1 OF 1 REV: E

单击下面可查看定价，库存，交付和生命周期等信息

[>>TE Connectivity\(泰科\)](#)