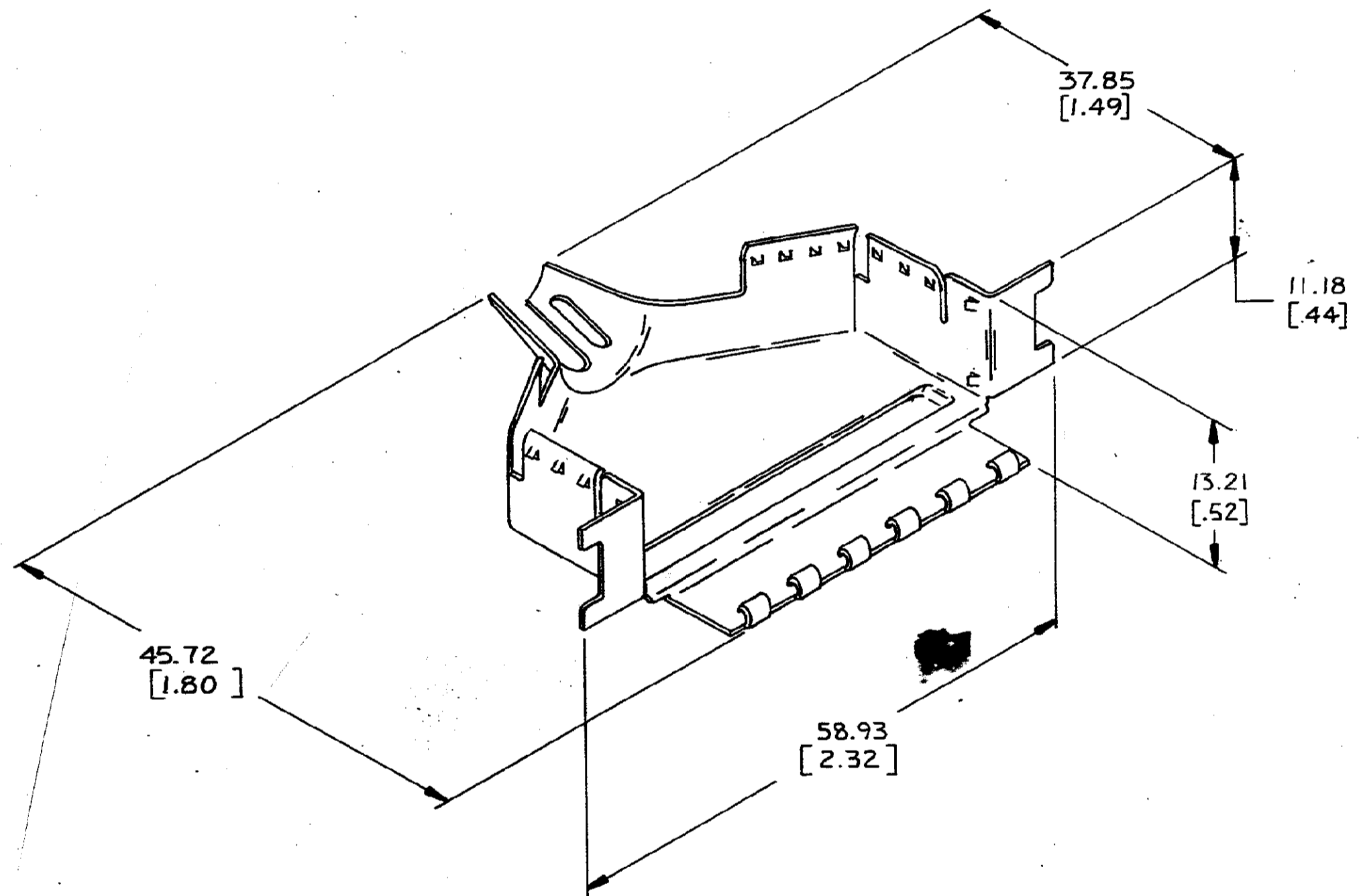


DRAWING MADE IN THIRD ANGLE PROJECTION

THIS DRAWING IS UNPUBLISHED. RELEASED FOR PUBLICATION 19
 © COPYRIGHT 19 BY AMP INCORPORATED, HARRISBURG, PA. ALL INTERNATIONAL RIGHTS RESERVED. AMP PRODUCTS MAY BE COVERED BY U.S. AND FOREIGN PATENTS AND/OR PATENTS PENDING.

LOC		DIST	
AA		15/2	
REVISIONS			
P	F	ZONE	DESCRIPTION
A		A	REVISED PER ECN AA-450
			DATE
			1-12-84
			APPROVED
			PAC AH

1. DIMENSIONS IN BRACKETS [] ARE IN INCHES.
2. CABLE RANGE: .250-.500 DIA



554254-1 AS SHOWN

UNLESS OTHERWISE SPECIFIED DIMENSIONS ARE IN MM. TOLERANCES ON: DECIMALS .05 ANGLES 1°		CONTRACT NO		PART NO	
MATERIAL		CONTRACT NO		AMP AMP INCORPORATED Harrisburg, Pa. 17105	
CARBON STEEL		DR <i>J. Dunbar</i> 9-9-83		NAME	
FINISH		CHK <i>MD</i> 9-9-83		SHIELD, INSIDE, EMI, 180°, PLUG, 36 POSITION, BAIL LOCK	
BRIGHT NICKEL PLATE		APPD <i>W. J. P. Kelly</i> 2/13/83		SIZE	
		APPD <i>W. J. P. Kelly</i> 9/13/83		C 00779	
		DSGN APPD		DRAWING NO	
		OTHER APPD		554254	
				SCALE 2:1	
				SHEET 1 OF 1	



CUSTOMER DRAWING

554254

单击下面可查看定价，库存，交付和生命周期等信息

[>>TE Connectivity\(泰科\)](#)