

THIS DRAWING IS UNPUBLISHED.

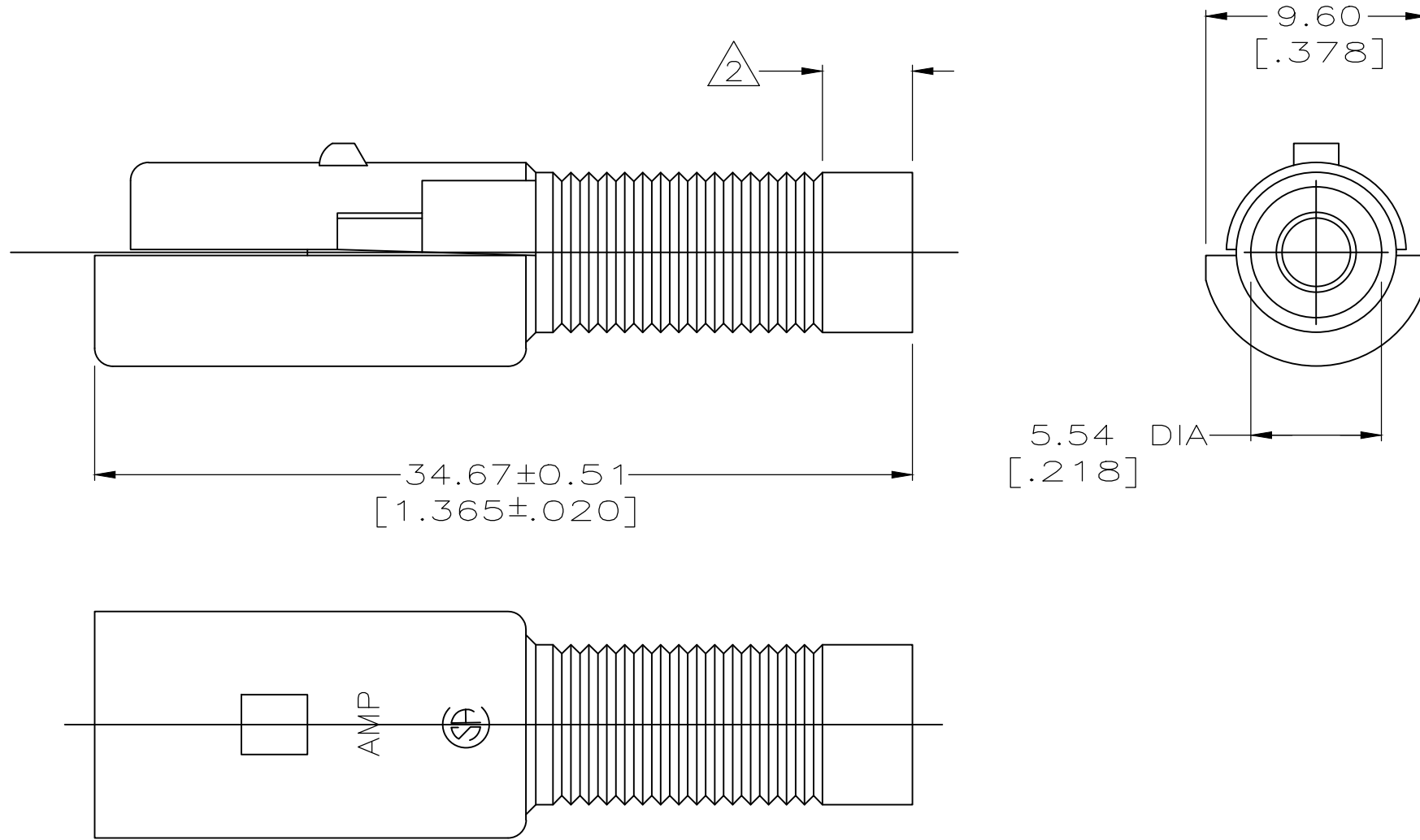
RELEASED FOR PUBLICATION

© COPYRIGHT - TE Connectivity Ltd.

ALL RIGHTS RESERVED.

REVISIONS

P	LTR	DESCRIPTION	DATE	DWN	APVD
E1		REV PER EC 0020-521-93	05/03/93	-	AT
F		REVISED PER ECO-20-001558	06FEB2020	SG	MZ



211076-1
PART NUMBER

1. PRODUCT PERFORMANCE IN COMPLIANCE WITH APPLICABLE PORTIONS OF AMP PRODUCT SPECIFICATION 108-10033.

△2 SERRATIONS IN THIS AREA OPTIONAL.

△3 HOUSING MATERIAL: PA66, BLACK, UL 94 V-0 RATED.

THIS DRAWING IS A CONTROLLED DOCUMENT.		DWN J GALLUCCI BG 8-16-91	TE Connectivity HERMAPHRODITIC SINGLE POSITION HOUSING, SPECIAL METRIMATE			
DIMENSIONS: mm [INCHES]		CHK J.McCLINTON 9-23-91				
TOLERANCES UNLESS OTHERWISE SPECIFIED:		APVD A NAMEVIS 9-23-91	SIZE	CAGE CODE	DRAWING NO	RESTRICTED TO
0 PLC ± - 1 PLC ± - 2 PLC ± - 3 PLC ± 0.25[.010] 4 PLC ± - ANGLES ± -		PRODUCT SPEC W.T.PARKER	A3	00779	C-211076	-
MATERIAL △3	FINISH -	APPLICATION SPEC -	WEIGHT -	CUSTOMER DRAWING		SCALE 4:1
			SHEET 1 OF 1	REV F		

单击下面可查看定价，库存，交付和生命周期等信息

[>>TE Connectivity\(泰科\)](#)