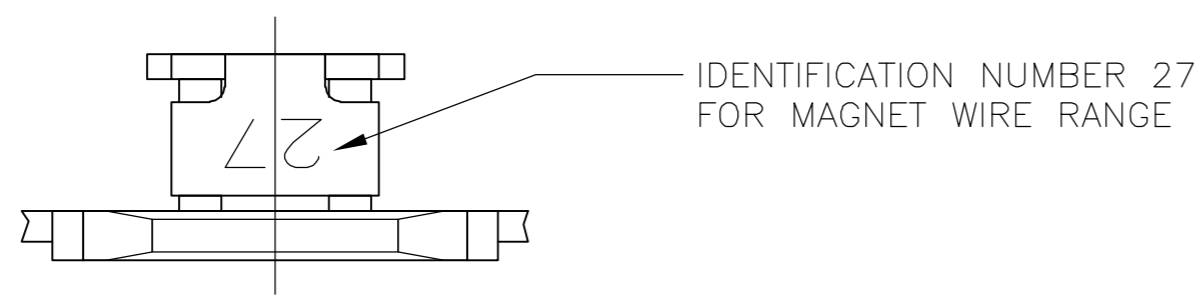
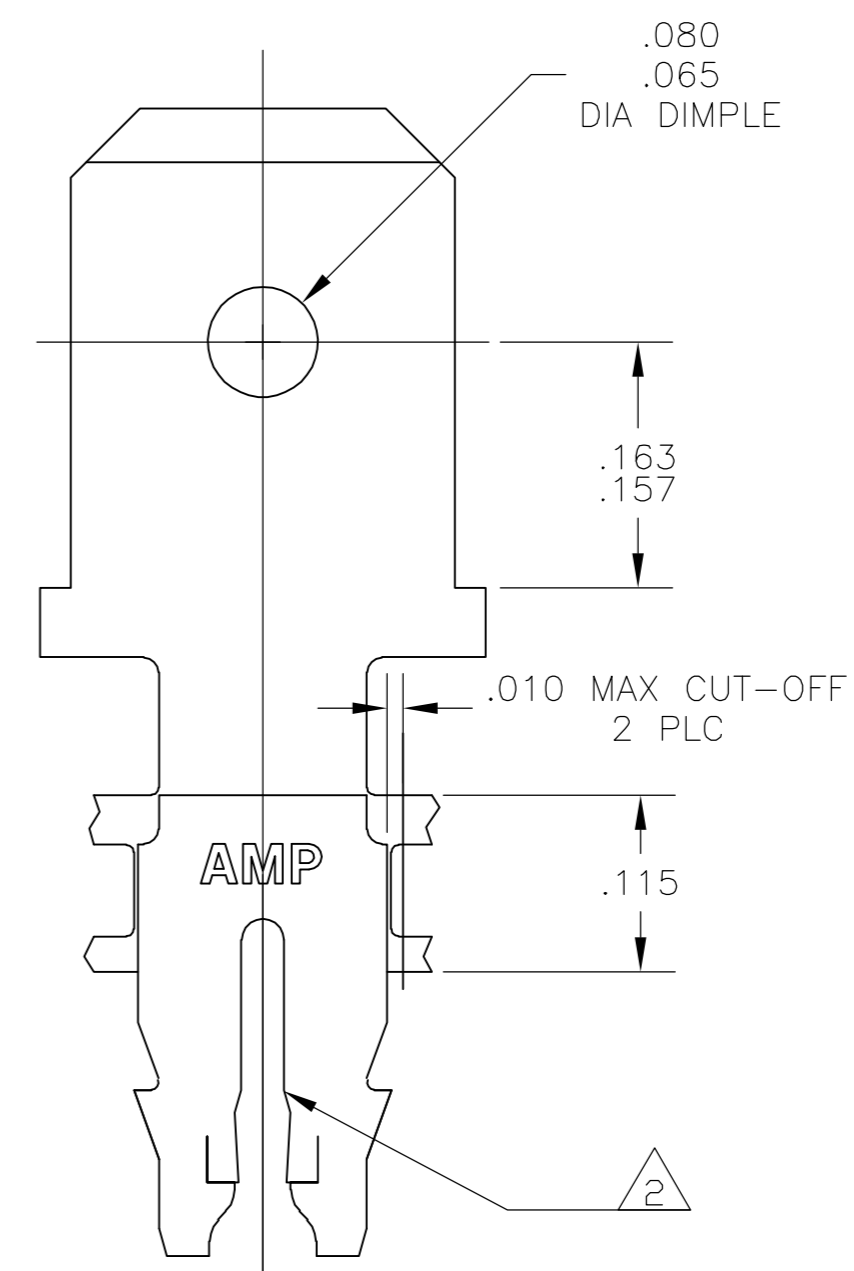
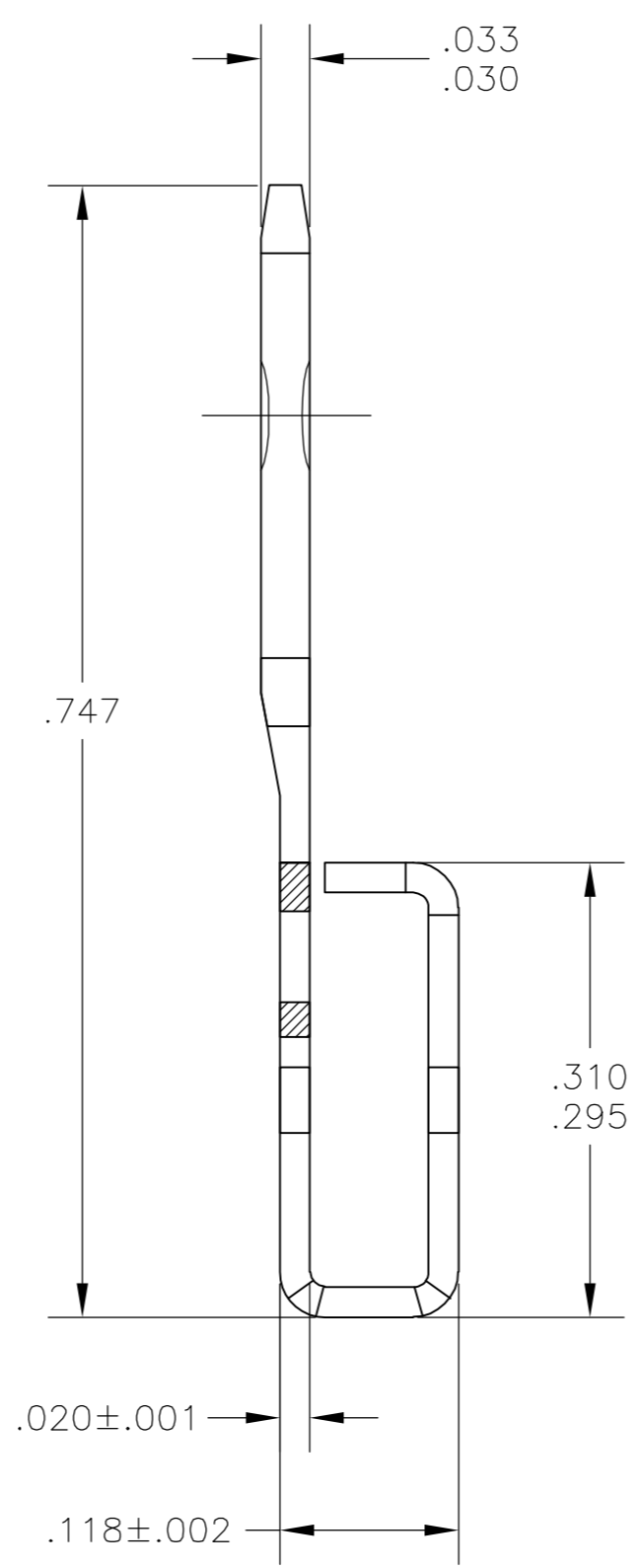
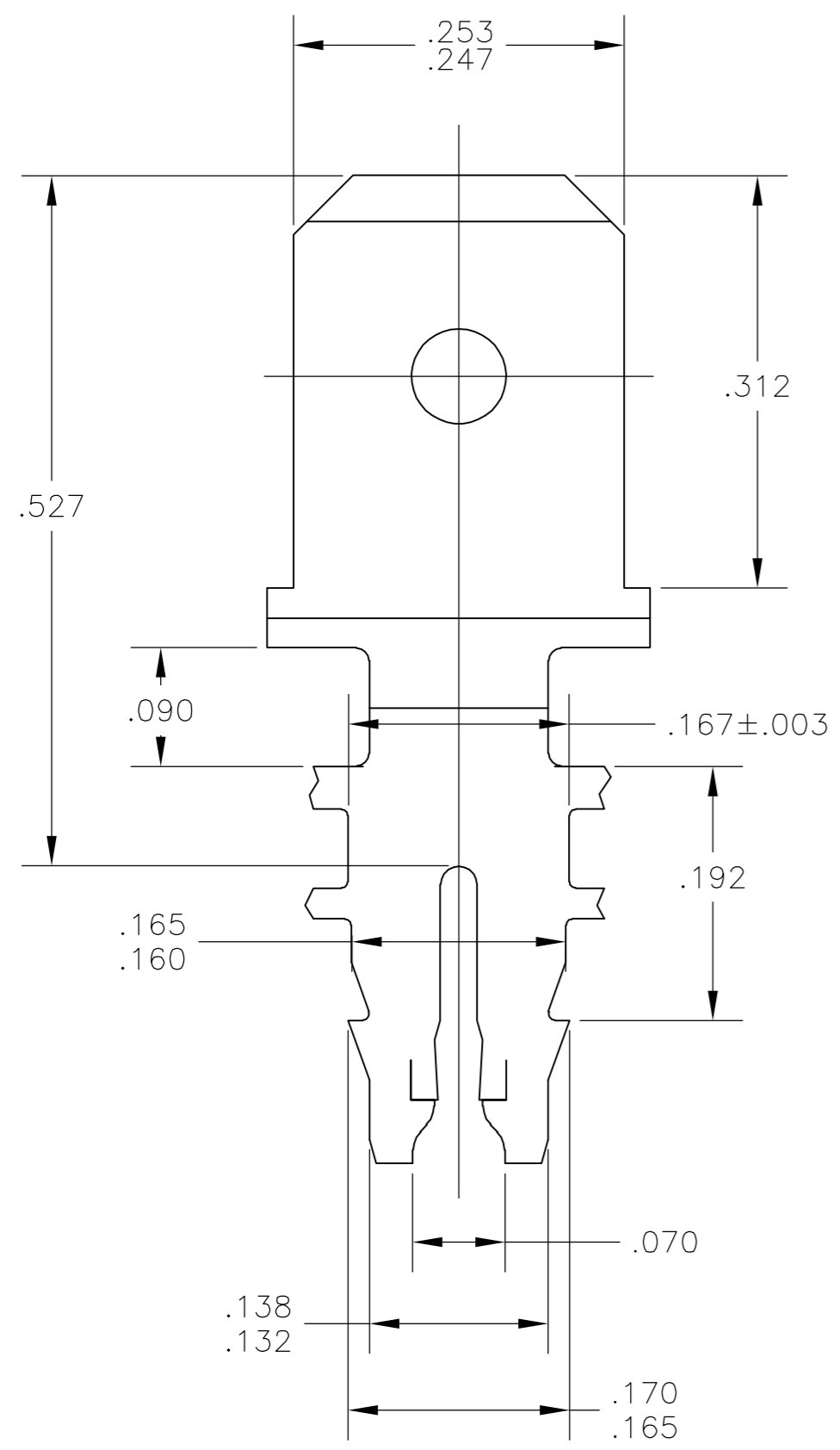


THIS DRAWING IS UNPUBLISHED. RELEASED FOR PUBLICATION
 © COPYRIGHT BY TYCO ELECTRONICS CORPORATION. ALL RIGHTS RESERVED.

LOC		DIST		REVISIONS			
P	LTR	DESCRIPTION	DATE	DWN	APVD		
AF	50	A1	REVISED PER ECR-06-028831	14DEC06	MF KR		



- 1 CONTINUOUS STRIP ON REELS WITH TERMINALS LOCATED ON $.330 \pm .003$ CENTERS
- 2 SLOT TERMINATES A SINGLE OR DOUBLE MAGNET WIRE OF THE SAME SIZE AND TYPE. COPPER RANGE: #19-#17 AWG
- 3 AFTER INSERTION INTO PLASTIC HOLDER TAB PORTION MUST BE BENT OVER 45° TO 90° OR POTTED-IN TO PREVENT PULL-OUT WHEN MATING RECEPTACLE IS DISCONNECTED.
- 4 SPECIAL CAVITY ANVIL HEIGHT REQUIRED $.130 \pm .003$ REF APPLICATION SPEC 114-2046, SEC. 3.2, NOTE 7
- 5 $.000080 - .000250$ TIN PLATE



1742398-1
PART NO

THIS DRAWING IS A CONTROLLED DOCUMENT.		DWN jr ruth 07FEB06	Tyco Electronics Corporation Harrisburg, PA 17105-3608		
DIMENSIONS: INCHES		CHK K RANDOLPH 07FEB06			
TOLERANCES UNLESS OTHERWISE SPECIFIED:		APVD K RANDOLPH 07FEB06	NAME K RANDOLPH		
0 PLC ± - 1 PLC ± - 2 PLC ± - 3 PLC ± .010 4 PLC ± - ANGLES ± - FINISH 5		PRODUCT SPEC 108-2012	TERMINAL, TAB, .250 FASTON, 300 SERIES MAG-MATE		
MATERIAL 4M PRE-MILLED BRASS		APPLICATION SPEC 114-2046 4	SIZE A2	CAGE CODE 00779	DRAWING NO C=1742398
		WEIGHT -	RESTRICTED TO -	SCALE 10:1	SHEET 1 of 1
		CUSTOMER DRAWING	REV A1		

单击下面可查看定价，库存，交付和生命周期等信息

[>>TE Connectivity\(泰科\)](#)