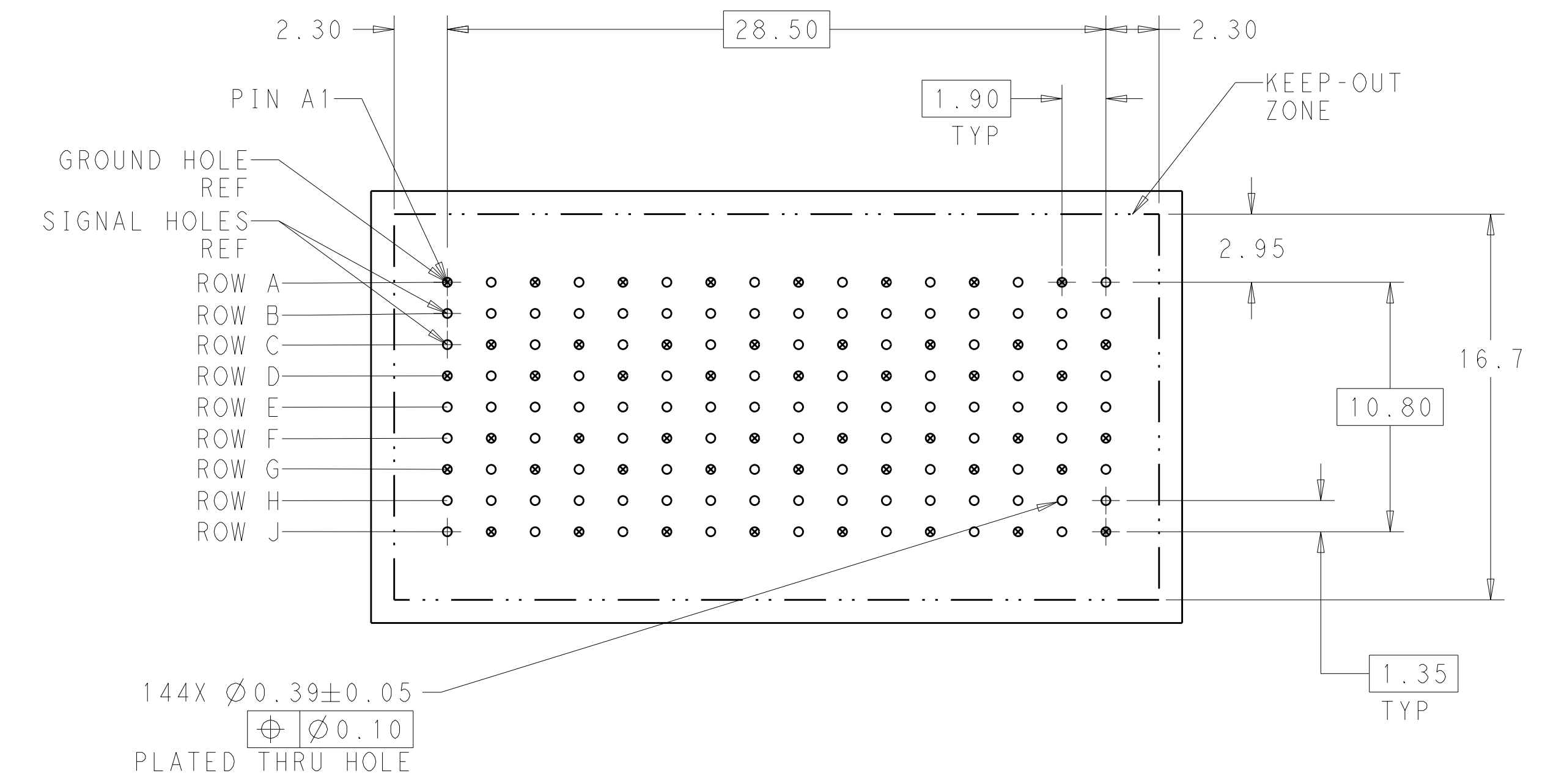
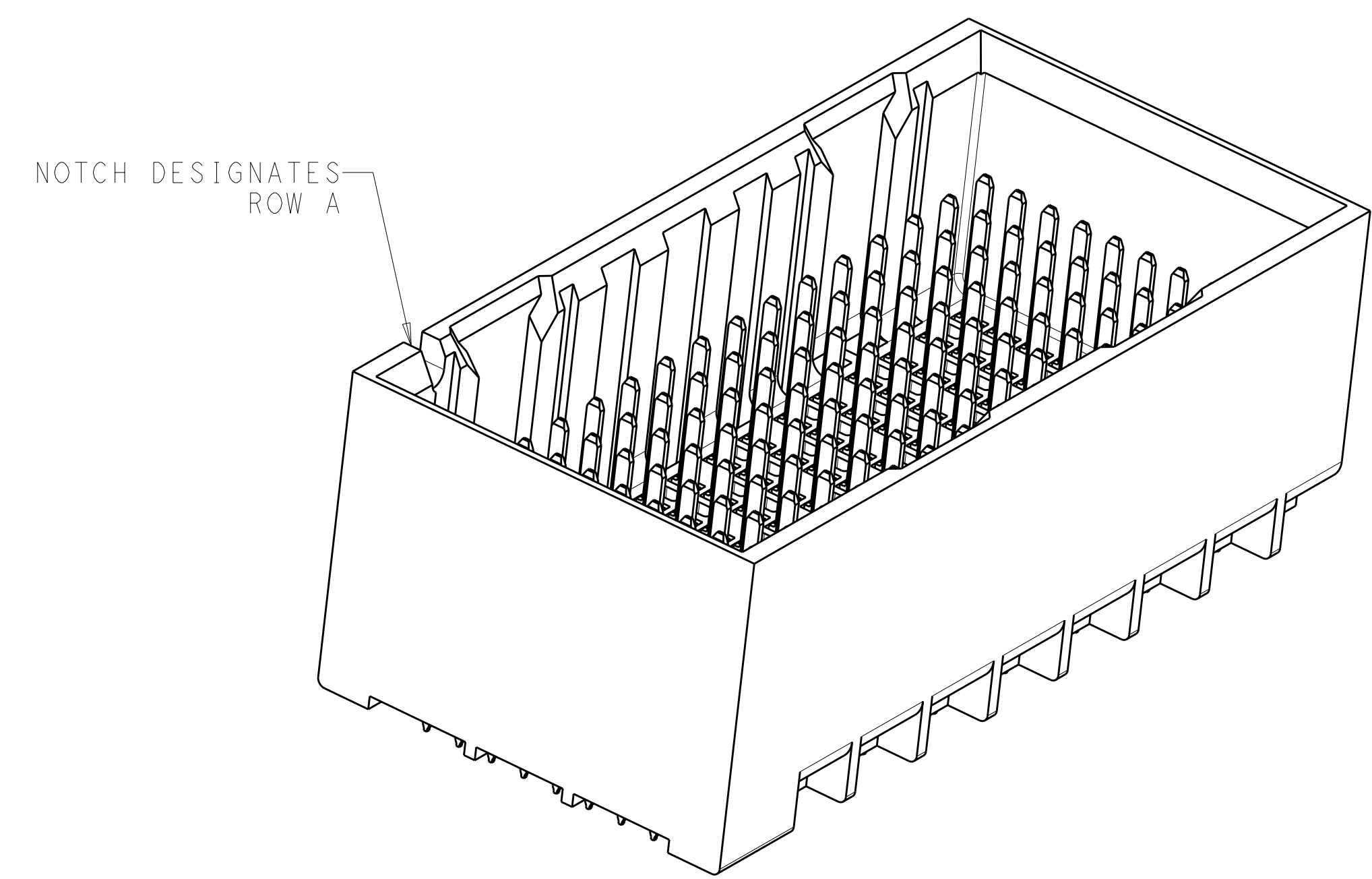
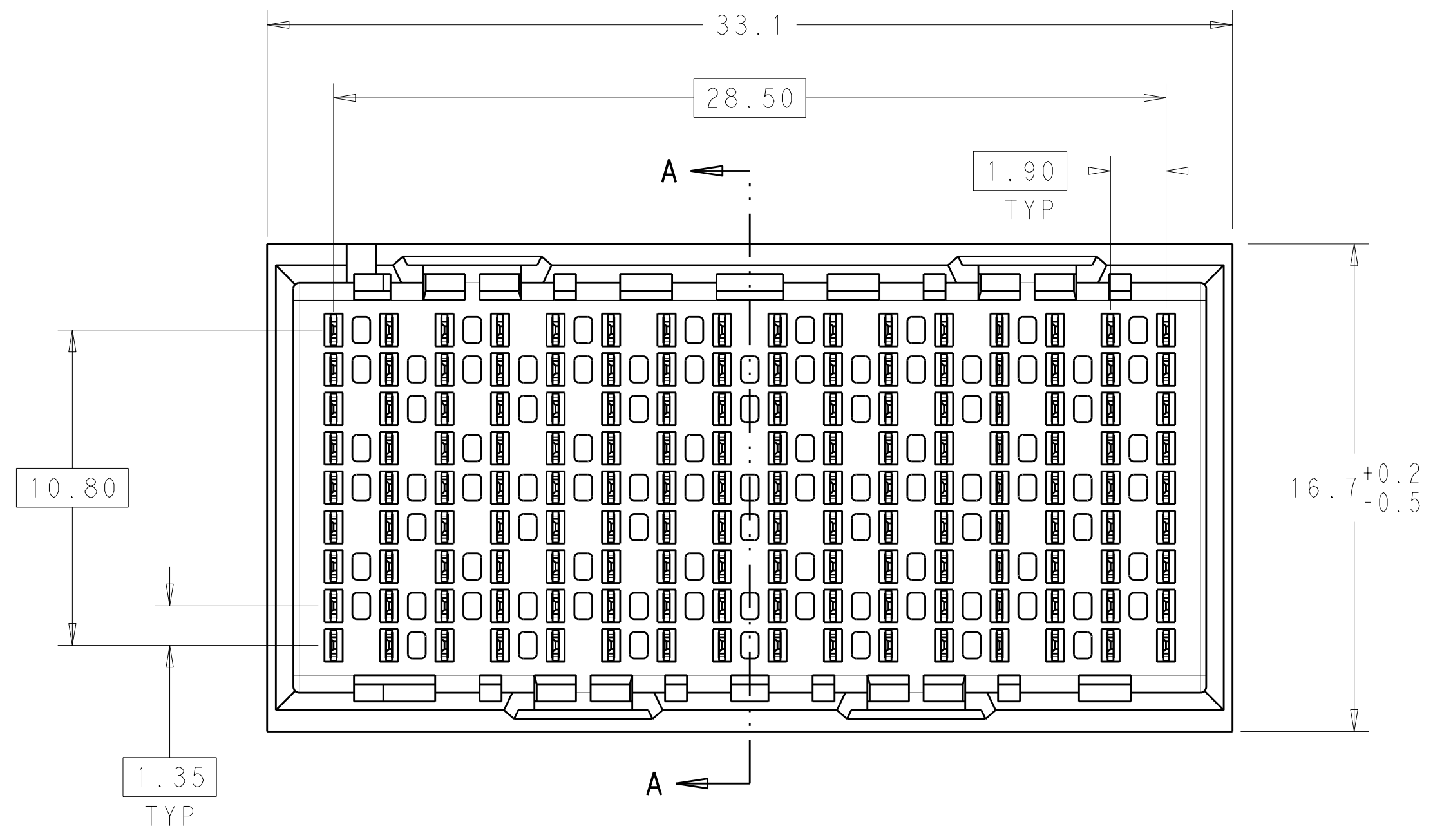
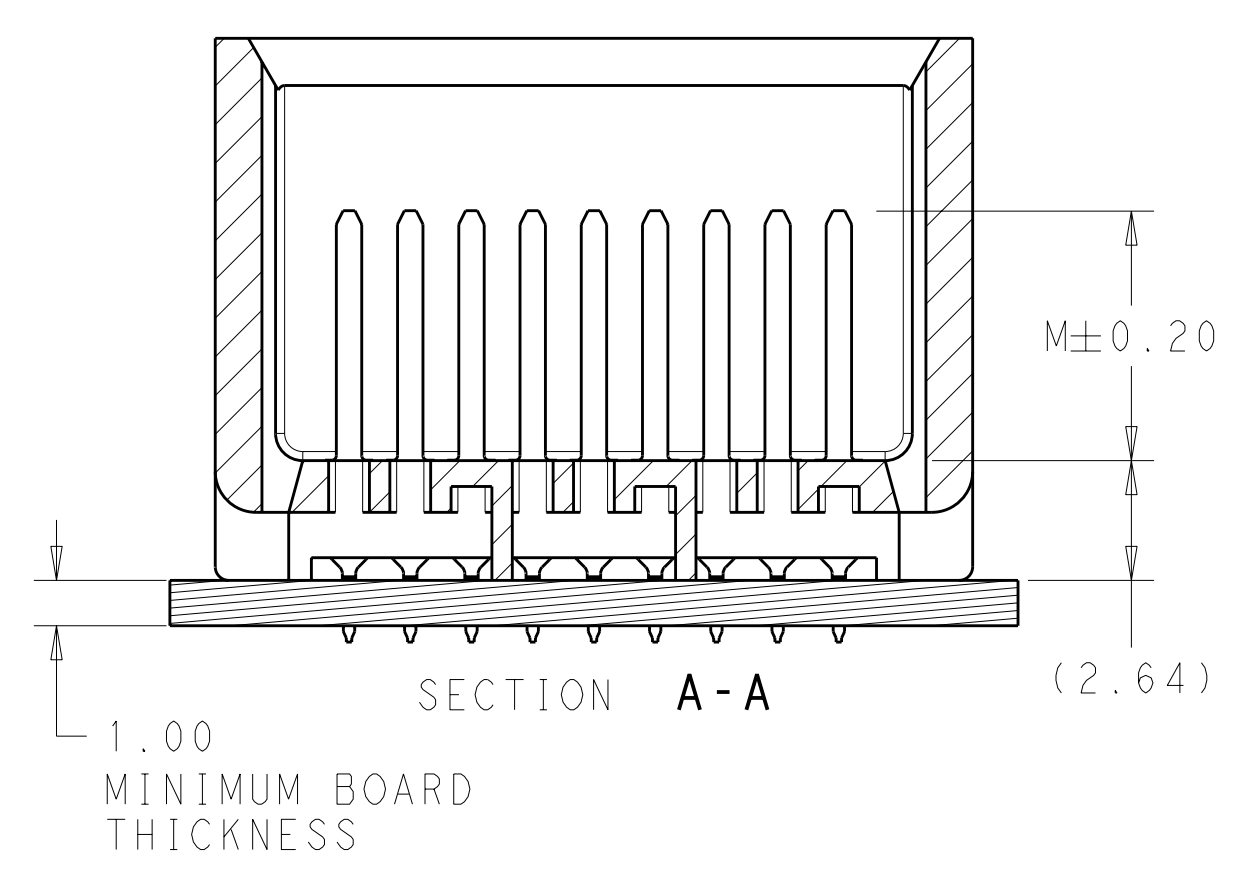
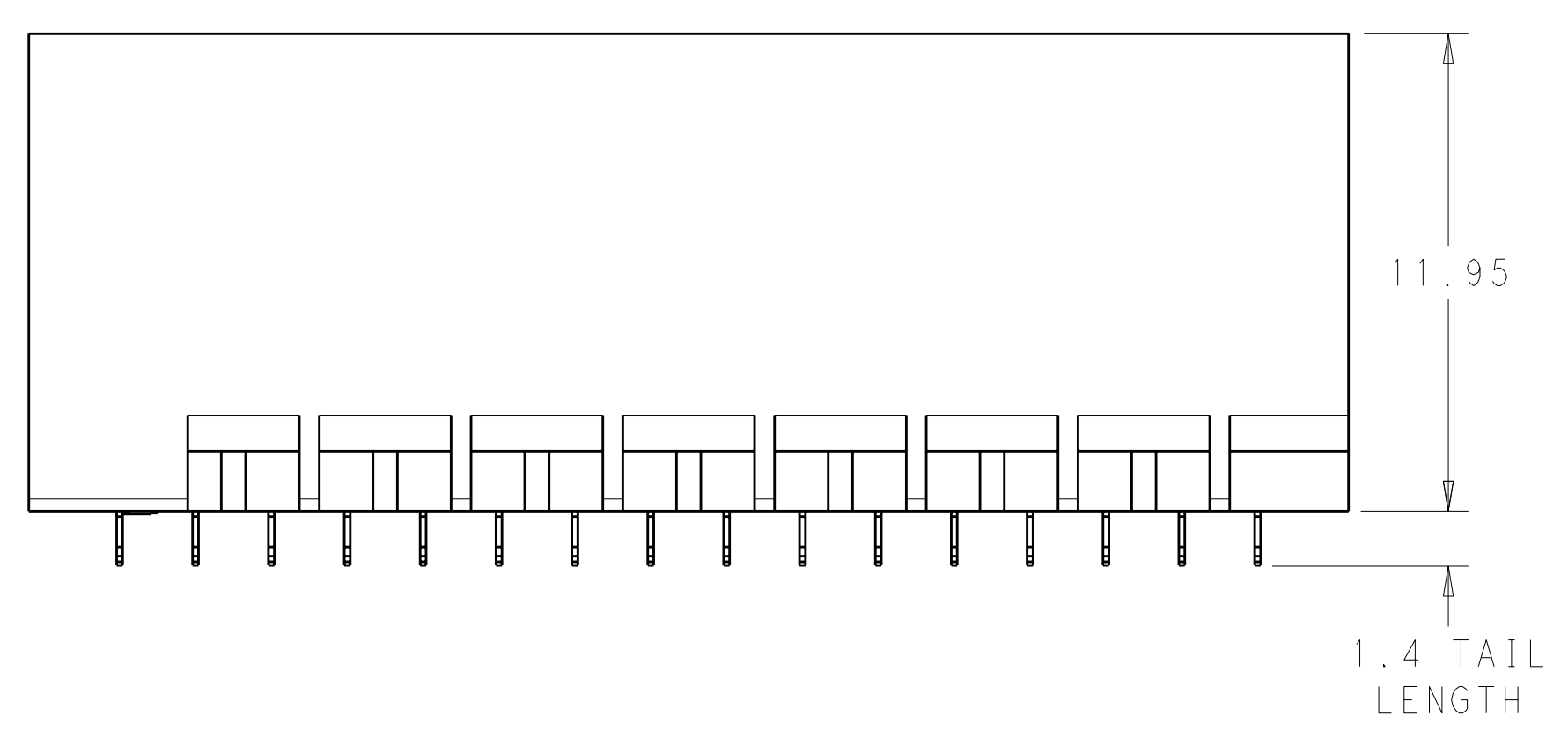


LOC		DIST		REVISIONS			
AD	00	P	LTB	DESCRIPTION	DATE	DWN	APVD
		C		REVISED PER ECO-11-025276	26DEC11	KH	DY



- 1 MATERIAL:  
HOUSING: LCP, GLASS FILLED, UL94V-0.  
TERMINALS: HIGH PERFORMANCE COPPER ALLOY.
- 2 FINISH:  
30µ" MIN GOLD IN CONTACT AREA. SELECTIVE TIN  
ON PCB TAILS, NICKEL OVERALL.
- 3 FINISH:  
30µ" MIN GOLD IN CONTACT AREA. SELECTIVE TIN-LEAD  
ON PCB TAILS, NICKEL OVERALL.




THIS DRAWING IS A CONTROLLED DOCUMENT.		DWN J. K. SHOBER 26DEC11	TE Connectivity
DIMENSIONS: mm		CHK J. EBY 26DEC11	
TOLERANCES UNLESS OTHERWISE SPECIFIED:		APVD J. EBY 26DEC11	NAME
0 PLC ±		PRODUCT SPEC	IMPACT, 3 PAIR, 16 COLUMN, HEADER
1 PLC ±0.25		APPLICATION SPEC	UNGUIDED, DUAL END WALL
2 PLC ±0.13		WEIGHT	SIGNAL MODULE, 0.39 PTH
3 PLC ±		SIZE CAGE CODE DRAWING NO	A1100779C=2007806
4 PLC ±		RESTRICTED TO	
ANGLES ±		CUSTOMER DRAWING	
FINISH SEE TABLE		SCALE 6:1	SHEET 1 OF 2
			REV C

THIS DRAWING IS UNPUBLISHED. RELEASED FOR PUBLICATION 20  
 © COPYRIGHT 20 . . . ALL RIGHTS RESERVED.

LOC	DIST	REVISIONS				
AD	00	P	LTB	DATE	DWN	APVD
		-	-	SEE SHEET 1	-	-

FINISH	DIM M	PART NUMBER
$\triangle_3$	5.5	2007806-6
$\triangle_3$	4.9	2007806-5
$\triangle_3$	4.5	2007806-4
$\triangle_2$	5.5	2007806-3
$\triangle_2$	4.9	2007806-2
$\triangle_2$	4.5	2007806-1

REFER TO WWW.TE.COM  
FOR PRODUCT AVAILABILITY

THIS DRAWING IS A CONTROLLED DOCUMENT.		DWN J. K. SHOBER	26DECT1	 TE Connectivity
DIMENSIONS: mm		CHK J. EARY	26DECT1	
TOLERANCES UNLESS OTHERWISE SPECIFIED: 9 PLC ± 7 PLC ±0.25 5 PLC ±0.13 4 PLC ± ANGLES ±		APVD J. EARY	26DECT1	NAME IMPACT, 3 PAIR, 16 COLUMN, HEADER UNGUIDED, DUAL END WALL SIGNAL MODULE, 0.39 PTH
MATERIAL -		FINISH SEE TABLE		RESTRICTED TO -
-		WEIGHT -		SIZE CAGE CODE DRAWING NO A1100779C=2007806
-		CUSTOMER DRAWING		SCALE 5:1 SHEET 2 OF 2 REV C

单击下面可查看定价，库存，交付和生命周期等信息

[>>TE Connectivity\(泰科\)](#)