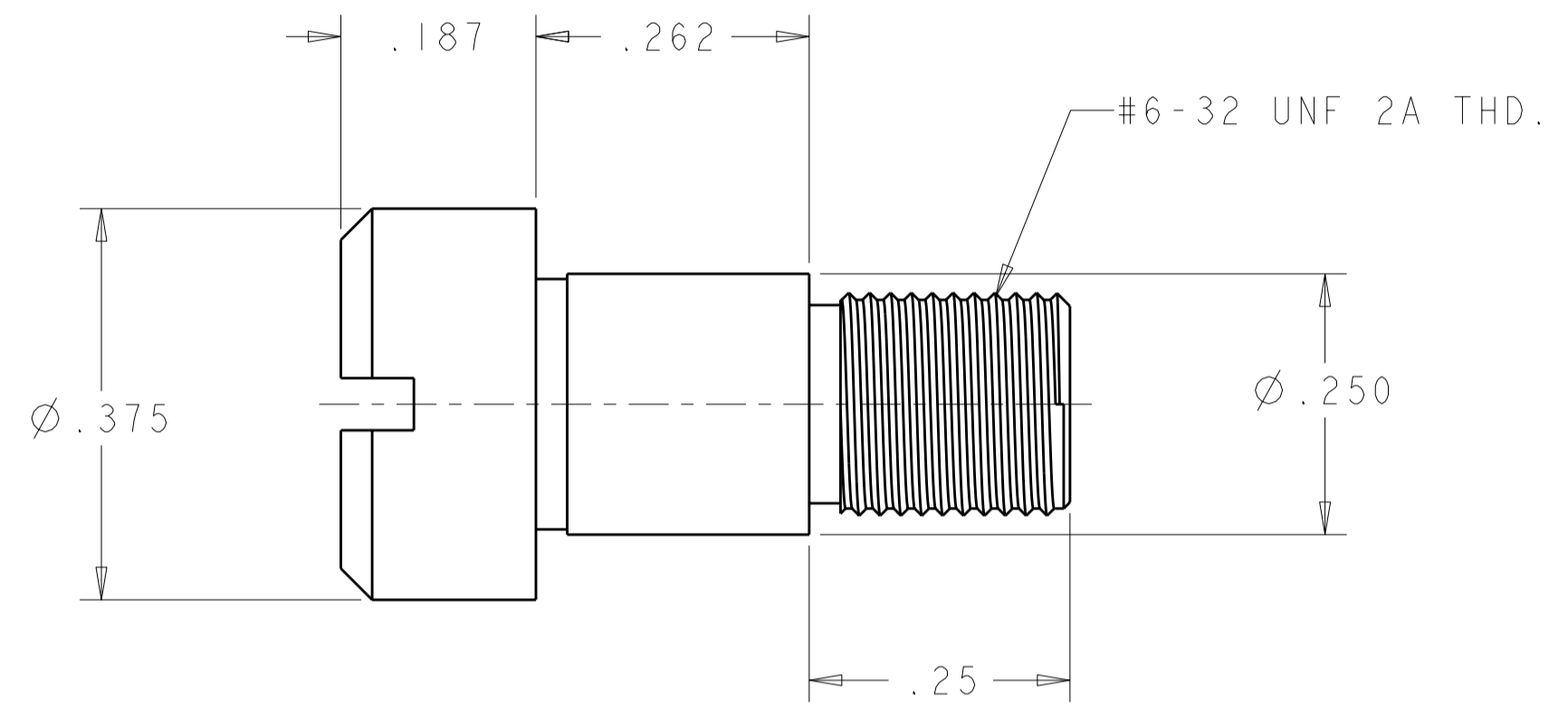
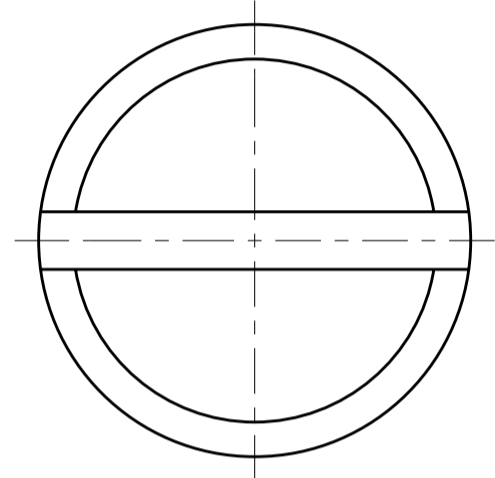


THIS DRAWING IS UNPUBLISHED. RELEASED FOR PUBLICATION 20  
 © COPYRIGHT 20 BY TYCO ELECTRONICS CORPORATION. ALL RIGHTS RESERVED.

LOC	DIST	REVISIONS			
P	LTR	DESCRIPTION	DATE	DWN	APVD
GP	00	A	RELEASED	02SEP2008	RG DO



- 1 MATERIAL: STAINLESS STEEL
- 2. PART NUMBER CHANGES AND/OR DESIGN CHANGES AFFECTING THE INTERCHANGEABILITY REQUIRE PRIOR TYCO ELECTRONICS APPROVAL AND AUTHORIZATION BY REVISION TO THIS DRAWING.
- 3 FINISH: PASSIVATE
- 4. ITEMS PROVIDED TO THIS SPECIFICATION TO BE PERMANENTLY IDENTIFIED ON THE CONTAINER PER THE FOLLOWING IDENTIFIER:

TYCO ELECTRONICS P/N: XXXXXXXX-X  
 DATE CODE (e.g. 0216): YEAR WEEK  
 XXXX

AS SHOWN	1926939-1
DESCRIPTION	PART NO.

<small>THIS DRAWING IS A CONTROLLED DOCUMENT FOR TYCO ELECTRONICS CORPORATION. IT IS SUBJECT TO CHANGE AND THE CONTROLLING ENGINEERING ORGANIZATION SHOULD BE CONTACTED FOR THE LATEST REVISION.</small>		DWN: 20AUG2008 R. GRZYBOWSKI CHK: 20AUG2008 D. ORRIS APVD: 20AUG2008 M. PERCHERKE	Tyco Electronics Harrisburg, PA 17105-3608
DIMENSIONS: INCHES 	TOLERANCES UNLESS OTHERWISE SPECIFIED: 0 PLC ± 1 PLC ± 2 PLC ±.02 3 PLC ±.010 4 PLC ± ANGLES ±5 FINISH	PRODUCT SPEC APPLICATION SPEC WEIGHT CUSTOMER DRAWING	NAME: SCREW, SHOULDER PRECISION No. 6-32 UNF, DRAWER SIZE: A200779 CAGE CODE: C-1926939 DRAWING NO: 1926939-1 RESTRICTED TO: -
MATERIAL: 1 - 3		SCALE: 6:1 SHEET 1 OF 1 REV A	

ELCON DRAWER

单击下面可查看定价，库存，交付和生命周期等信息

[>>TE Connectivity\(泰科\)](#)