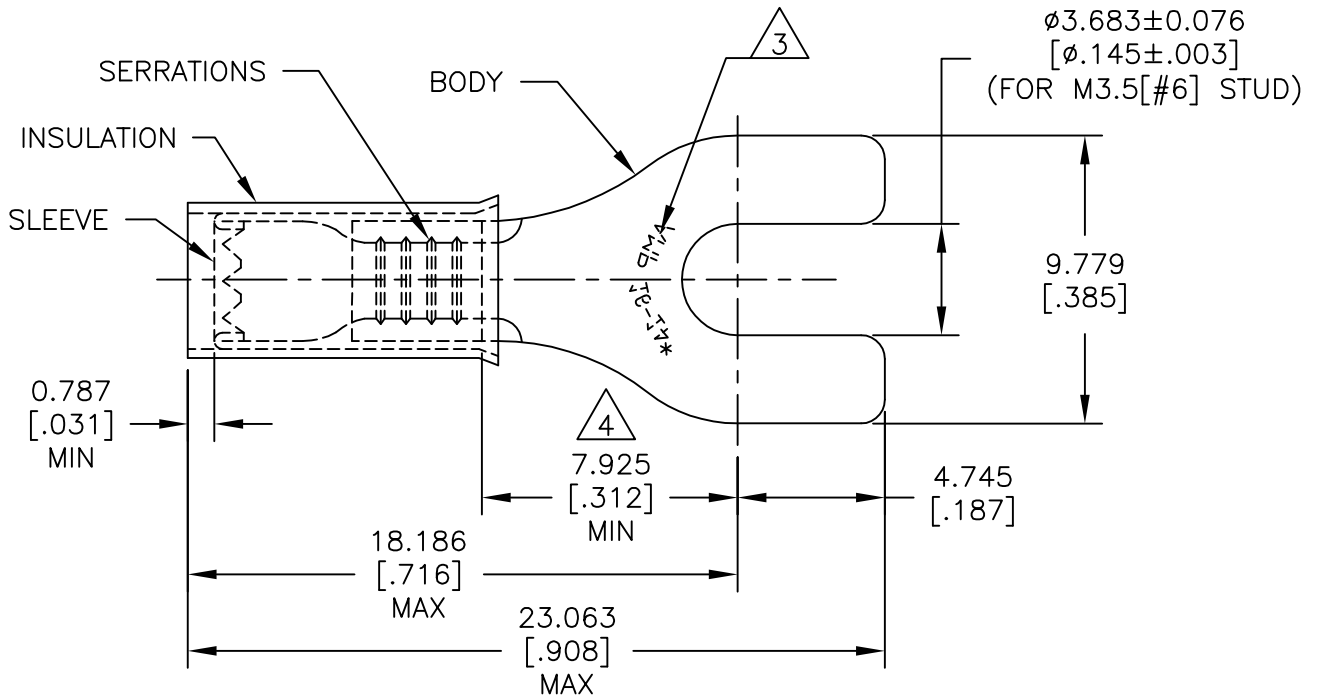


REVISIONS				
P	LTR	DESCRIPTION	DATE	APVD
	E1	REDRAWN PER ECO-17-007400	13DEC2017	DR

<b>AMP</b> WIRE RANGE	Listed FILE E13288	LR7189 Certified
16-14 AWG SOLID OR STRANDED	16-14 AWG SOLID OR STRANDED	16-14 AWG SOLID OR STRANDED



- 1 BODY MATERIAL THICKNESS: 0.787±0.051[.031±.002]
- 2 FOR ø2.921[ø.115] TO ø4.318[ø.170] WIRE INSULATION.
- 3 STAMP AMP 16-14\* APPROX AS SHOWN.
- 4 APPLIES FROM EDGE OF METAL WIRE BARREL TO CENTER OF STUD HOLE.
- 5 MATERIAL:  
BODY & SLEEVE: COPPER PER ASTM B152  
INSULATION: NYLON.
- 6 FINISH:  
BODY & SLEEVE: TIN PLATE PER ASTM B545  
INSULATION: COLOR - BLUE.

1000	LOOSE PIECE	32058
QTY.	PACKAGE TYPE	PART NO.

THIS DRAWING IS UNPUBLISHED.  
 ALL RIGHTS RESERVED.  
 COPYRIGHT - TE Connectivity Ltd.

DIMENSIONS: mm [INCHES]	DWN RAVI S	13DEC2017	MATERIAL	5	FINISH	6
	CHK ROHDE DANIEL F	13DEC2017	TE Connectivity			
TOLERANCES UNLESS OTHERWISE SPECIFIED:	APVD ROHDE DANIEL F	13DEC2017				
0 PLC ± -	PRODUCT SPEC	UL 486 A-B	NAME WIRE TERMINAL, P.I.D.G.- SPADE, WIRE SIZE : 16-14 AWG			
1 PLC ± -	APPLICATION SPEC	114-2157	SIZE	CAGE CODE	DRAWING NO	RESTRICTED TO
2 PLC ± -			A4	00779	32058	-
3 PLC ± 0.127[.005]	WEIGHT	-	CUSTOMER DRAWING			
4 PLC ± -			SCALE	6:1	SHEET	1 OF 1
ANGLES ± 5°					REV	E1

单击下面可查看定价，库存，交付和生命周期等信息

[>>TE Connectivity\(泰科\)](#)