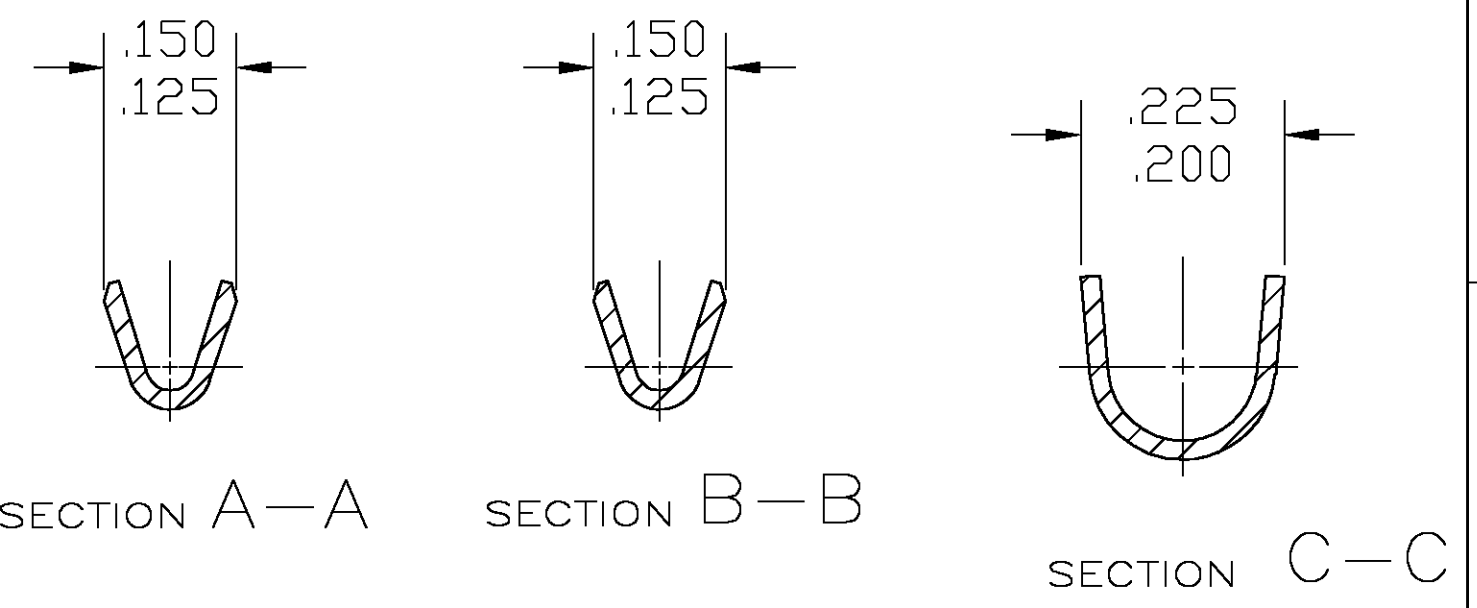
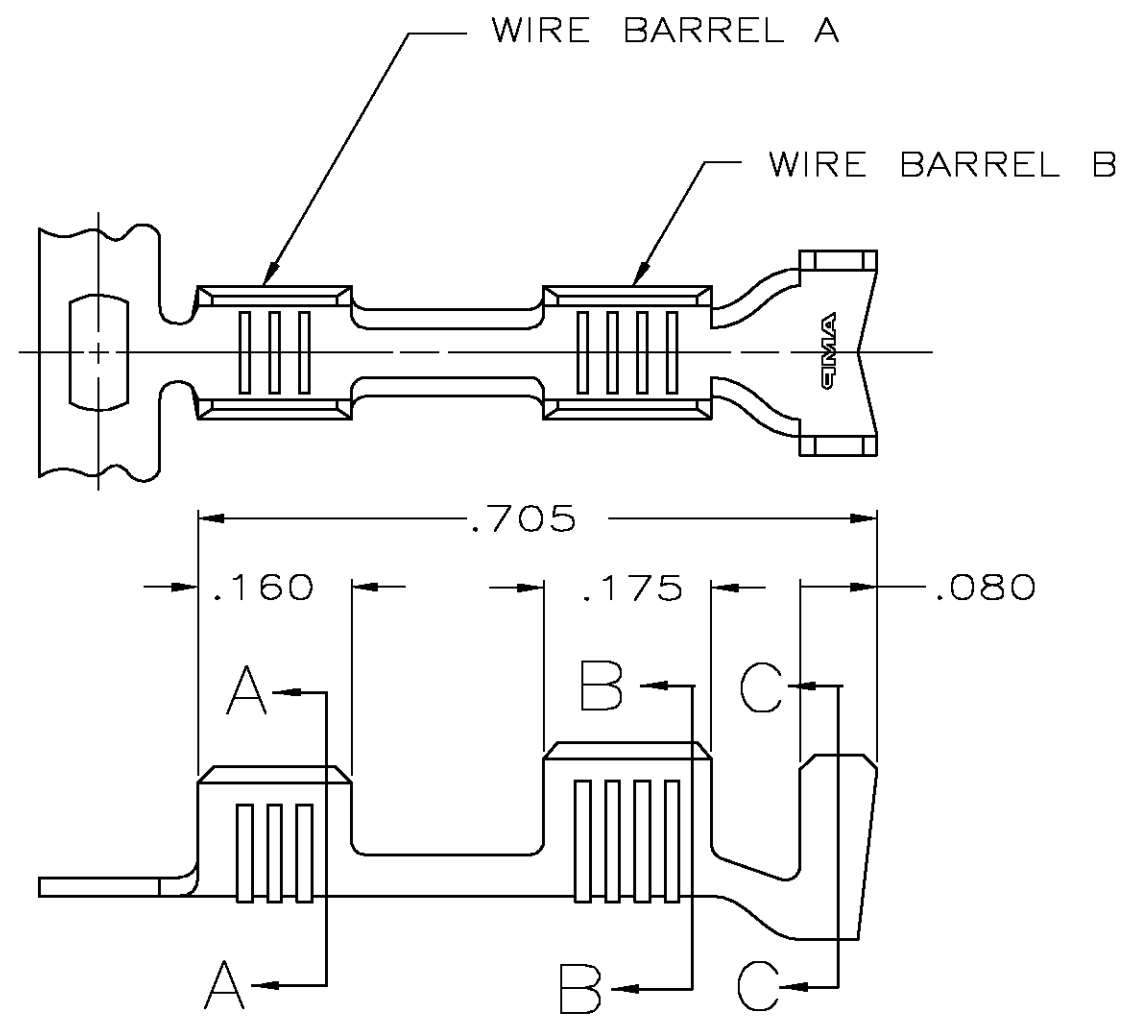


THIS DRAWING IS UNPUBLISHED. RELEASED FOR PUBLICATION  
 © COPYRIGHT BY TYCO ELECTRONICS CORPORATION. ALL RIGHTS RESERVED.

LOC	DIST	REVISIONS				
P	LTR	DESCRIPTION	DATE	DWN	APVD	
AF	50	L	REV PER 0G3A-0148-05	28FEB05	JR GP	

1 CONTINUOUS STRIP ON REELS WITH TERMINALS LOCATED ON .535 CENTERS.



.135-.170 DIA	#18-#16 AWG	#18-#14 AWG	NICKEL	TEMP 3 STEEL	62419-3
			NONE	082 BRASS	62419-2
			TIN	082 BRASS	62419-1
INSULATION RANGE	BARREL A WIRE RANGE		FINISH	MATERIAL	PART NO.
THIS DRAWING IS A CONTROLLED DOCUMENT.			DWN JR RUTH 28FEB05	Tyco Electronics Corporation Harrisburg, Pa 17105-3608	
DIMENSIONS: INCHES		TOLERANCES UNLESS OTHERWISE SPECIFIED:	CHK G PORTA 28FEB05		
		0 PLC ± -	APVD G PORTA 28FEB05	NAME	
		1 PLC ± -	PRODUCT SPEC	SPLICE, BUTT	
MATERIAL SEE TABLE		2 PLC ± -	APPLICATION SPEC	SIZE	CAGE CODE
		3 PLC ± .015	FINISH	DRAWING NO	
SEE TABLE		4 PLC ± -	WEIGHT	A300779 C-62419	
		ANGLES ± -	CUSTOMER DRAWING		
SCALE 5:1			SHEET 1 OF 1	REV L	RESTRICTED TO

单击下面可查看定价，库存，交付和生命周期等信息

[>>TE Connectivity\(泰科\)](#)