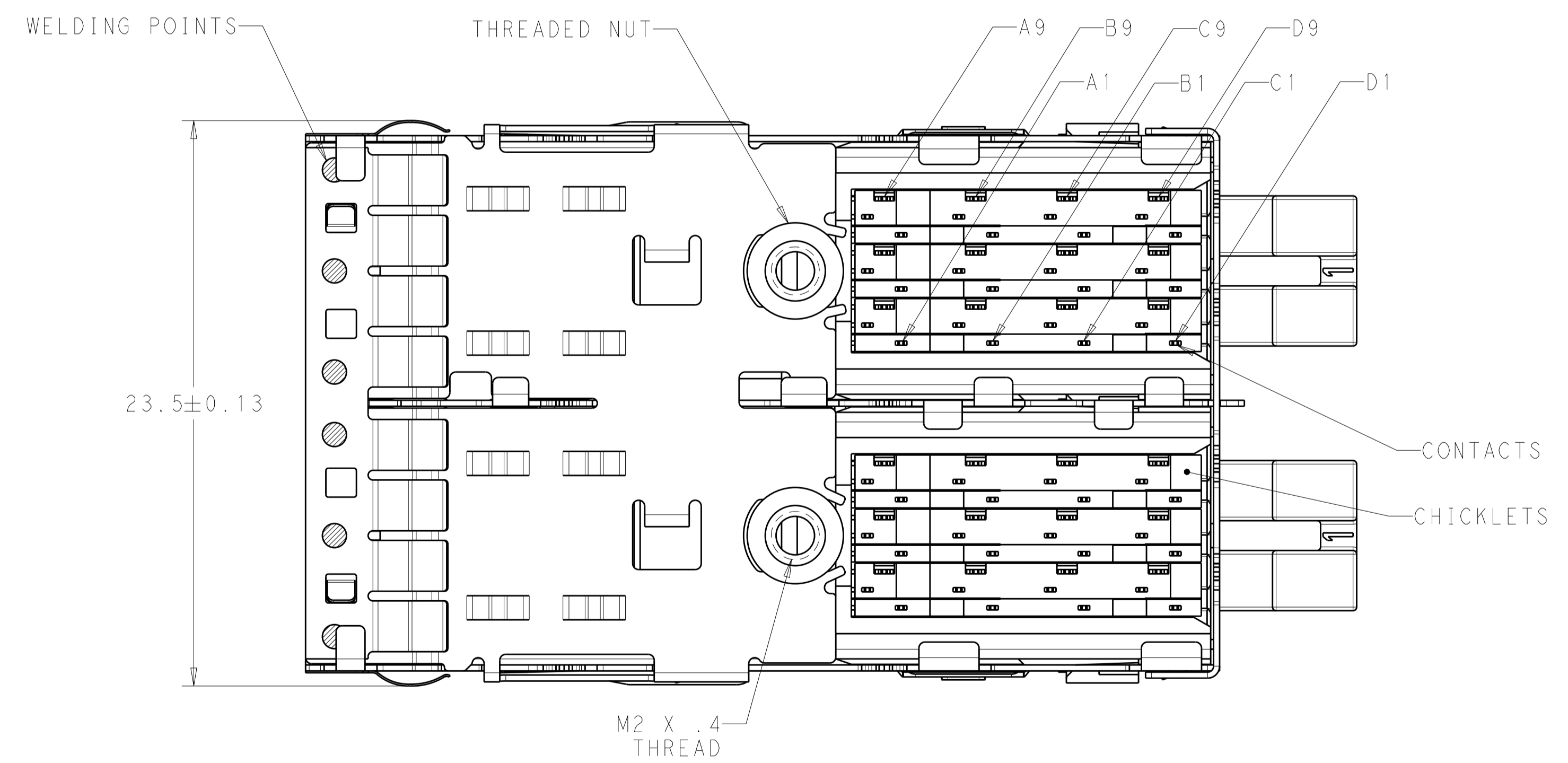
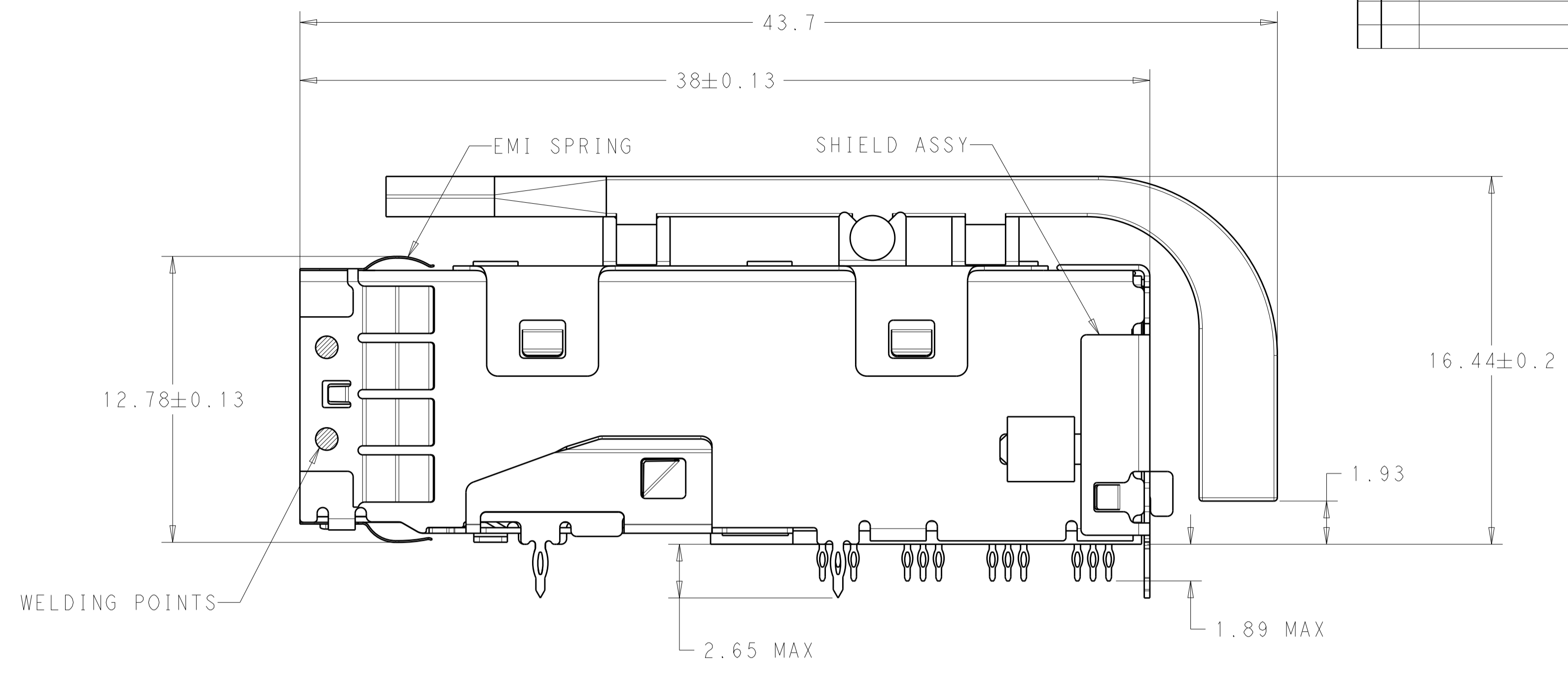
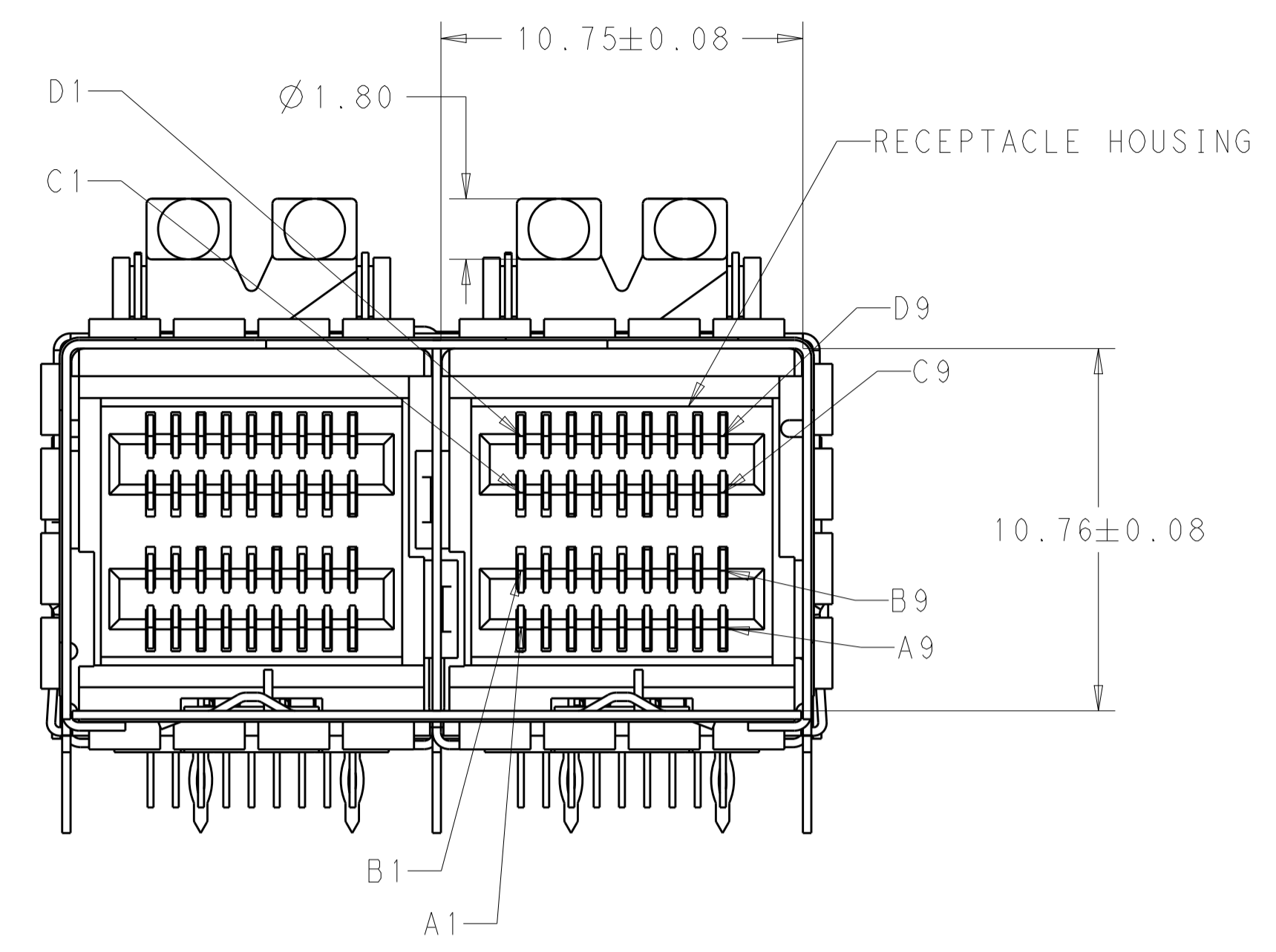


LOC	DIST	REVISIONS					
GP	00	P	LTN	DESCRIPTION	DATE	DMN	APVD
		A		INITIAL RELEASE	21FEB2014	BM	DG
		B		REVISED PER ECO-15-013506	03MAY2016	JY	SH



- MATERIALS**  
 RECEPTACLE HOUSING: LCP, BLACK, UL94V-0 RATED  
 SHIELD ASSY: NICKEL-SILVER COPPER ALLOY  
 CONTACTS: COPPER ALLOY  
 EMI SPRING: COPPER ALLOY  
 THREADED NUT: BRASS  
 CHICKLETS: LCP, BLACK, UL 94V-0 RATED  
 LIGHTPIPE CLIP: STAINLESS STEEL  
 LIGHTPIPE: POLYCARBONATE
- FINISH**  
 EMI SPRING: TIN PLATE OVER NICKEL PLATE. NON-PLATED EDGES PERMISSABLE  
 THREADED NUT: NICKEL PLATE
- CONTACT MATING AREA:**  $0.76 \mu\text{m}$  MIN GOLD IN CONTACT AREA,  $1.75 \mu\text{m}$  MIN TIN ON PCB TAILS. ALL OVER  $1.27 \mu\text{m}$  MIN NICKEL UNDERPLATE.  
 NEEDLE EYE:  $1.25 \mu\text{m}$  MIN TIN OVER  $1.27 \mu\text{m}$  MIN NICKEL.  
 REMINDER OF CONTACT:  $0.76 \mu\text{m}$  MIN NICKEL.
- THREAD LENGTH OF FASTENER = PCB THICKNESS+1.45 MAX
- THIS PRODUCT HAS NOT COMPLETED VALIDATION/QUALIFICATION TESTING
- RECOMMENDED TRACE KEEP OUT ZONE
- RECEPTACLE ASSEMBLY AND LIGHT PIPE ASSEMBLY ARE PACKAGED INDIVIDUALLY, THEN KIT PACKAGED.

LOWER HEIGHT	14.53	2274684-2
STANDARD HEIGHT	15.54	2274684-1
LIGHT PIPE	H HOLE HEIGHT OF LP	PART NUMBER

THIS DRAWING IS A CONTROLLED DOCUMENT. DIMENSIONING AND TOLERANCING PER: ASME 11.4-2009

DMN: B. MATTHEWS 21FEB2014  
 CHK: D. GORENC 21FEB2014  
 APVD: D. GORENC 21FEB2014

PRODUCT SPEC: 108-2462  
 APPLICATION SPEC: 114-13316  
 WEIGHT: -

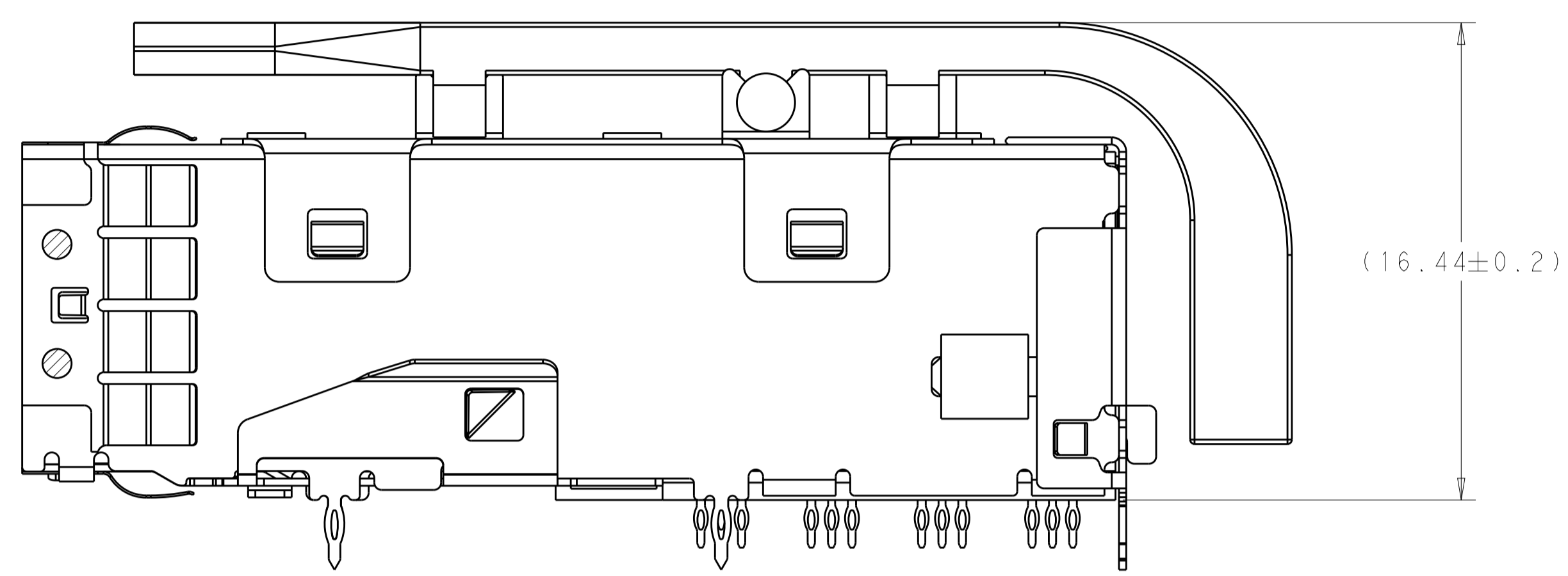
**STE** TE Connectivity

NAME: RECEPTACLE ASSEMBLY, MINI-SAS HD, 2X W/ LIGHT PIPES

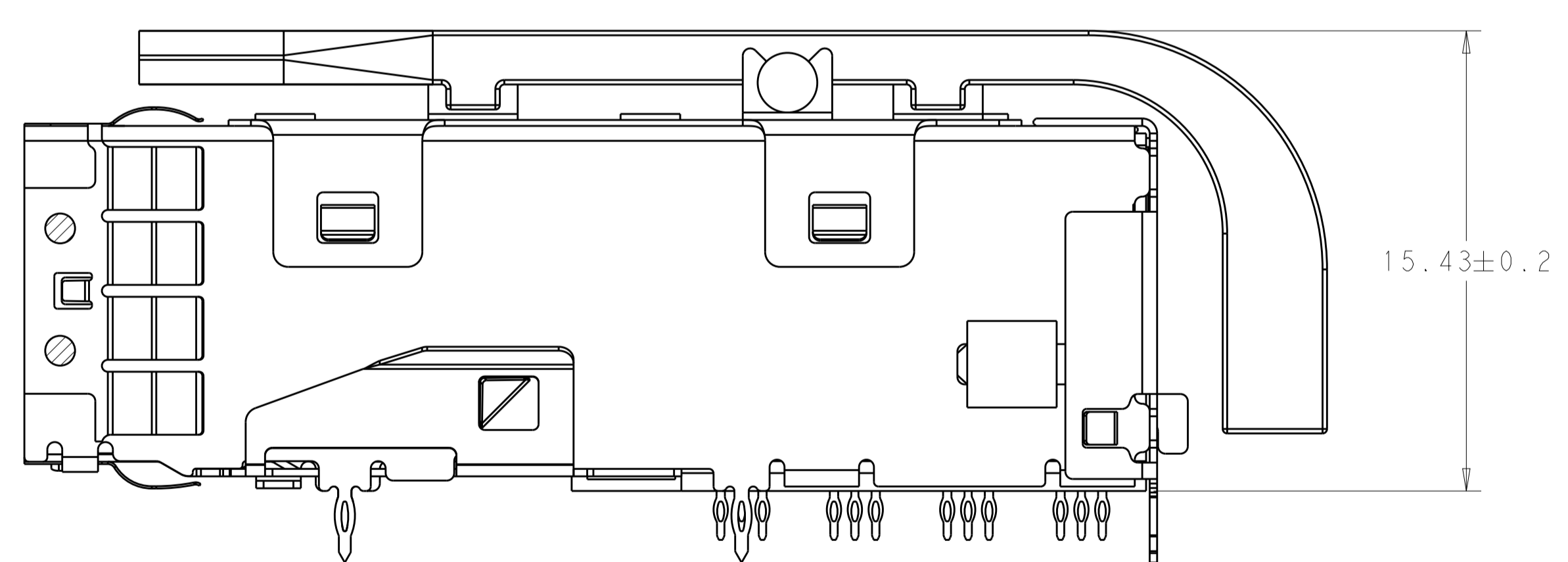
SIZE: A1 | CAGE CODE: 100779 | DRAWING NO: 2274684 | RESTRICTED TO: -

CUSTOMER DRAWING | SCALE: 6:1 | SHEET: 1 OF 4 | REV: B

LOC		DIST		REVISIONS			
P.	LTN	DESCRIPTION	DATE	DWN	APVD		
-	-	SEE SHEET 1	-	-	-		



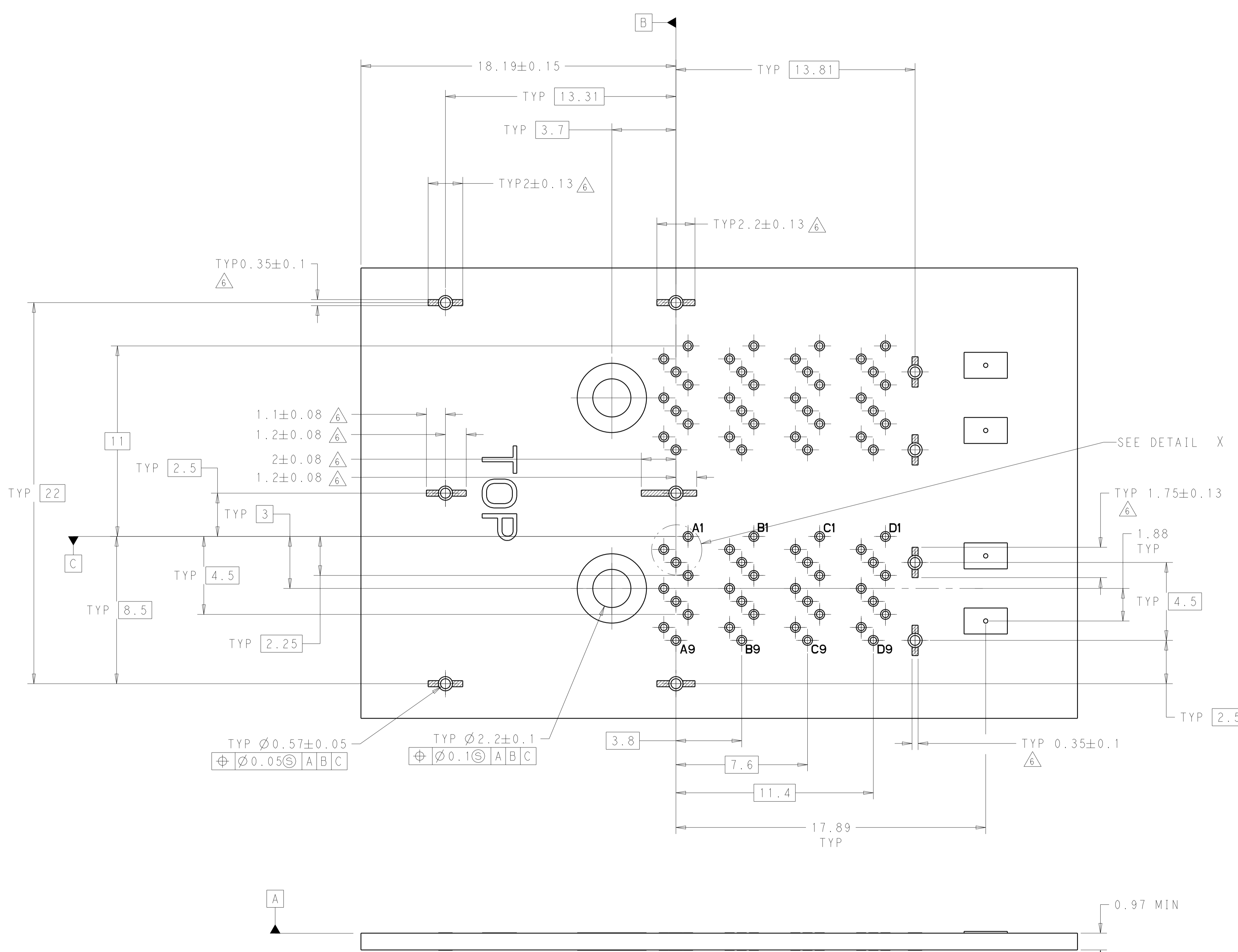
2274684-1  
 SCALE 6:1



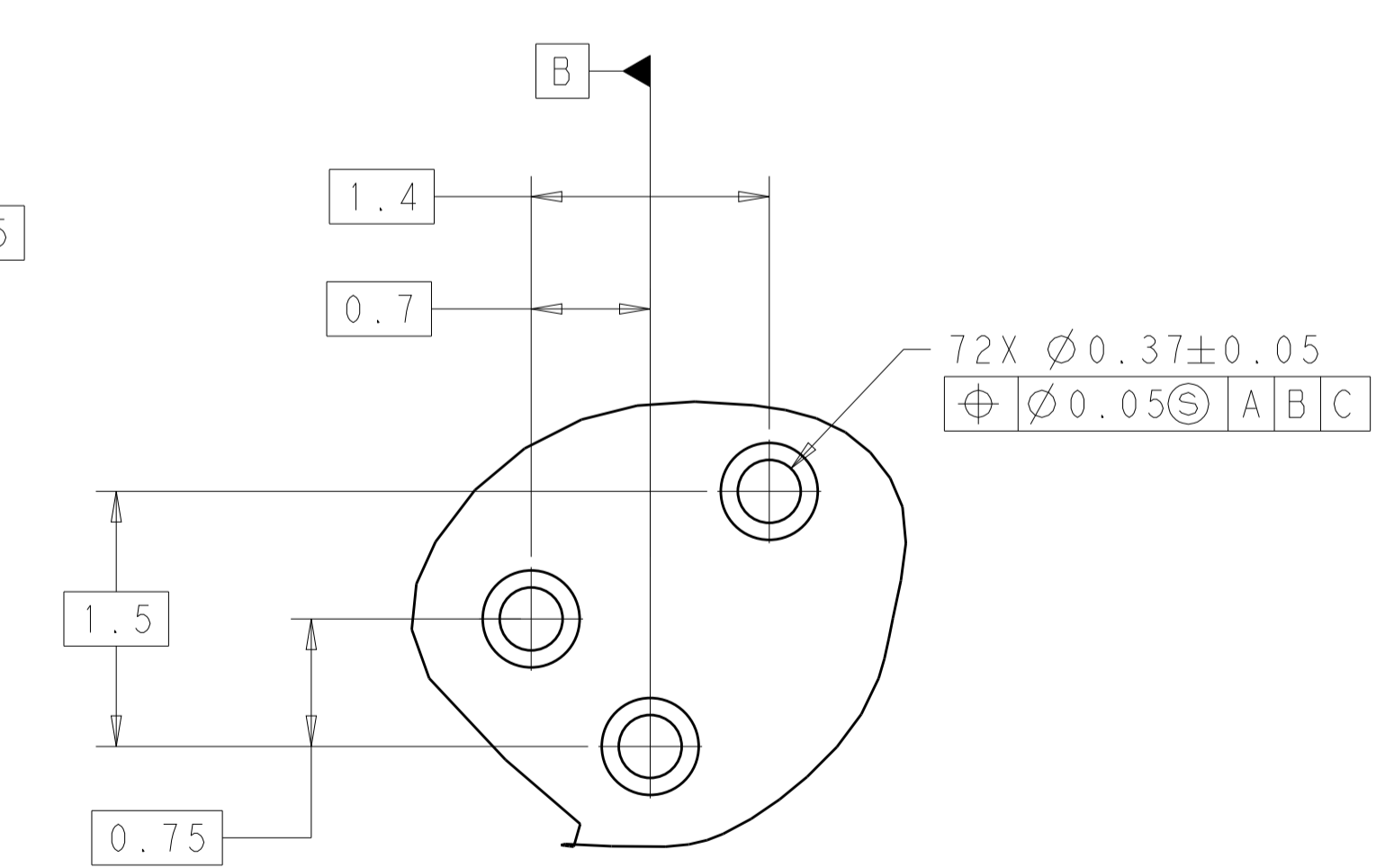
2274684-2  
 UNSPECIFIED DIMENSIONS ARE SAME AS 2274684-1  
 SCALE 6:1

THIS DRAWING IS A CONTROLLED DOCUMENT.		DWN B. MATTHEWS 21FEB2014	TE Connectivity
		CHK D. GORENC 21FEB2014	
DIMENSIONS:		APVD D. GORENC 21FEB2014	NAME RECEPTACLE ASSEMBLY, MINI-SAS HD, 2X W/ LIGHT PIPES
mm	TOLERANCES UNLESS OTHERWISE SPECIFIED:	PRODUCT SPEC	SIZE CAGE CODE DRAWING NO
	0 PLC ±	108-2462	A100779C=2274684
	1 PLC ±0.25	APPLICATION SPEC	RESTRICTED TO
	2 PLC ±0.13	114-13316	
	3 PLC ±	WEIGHT	
	4 PLC ±	CUSTOMER DRAWING	
	ANGLES ±	SCALE 6:1	SHEET 2 OF 4
MATERIAL	FINISH		REV B

REVISONS		DATE	OWN	APVD
P. LTR	DESCRIPTION			
-	SEE SHEET 1	-	-	-



SEE DETAIL X

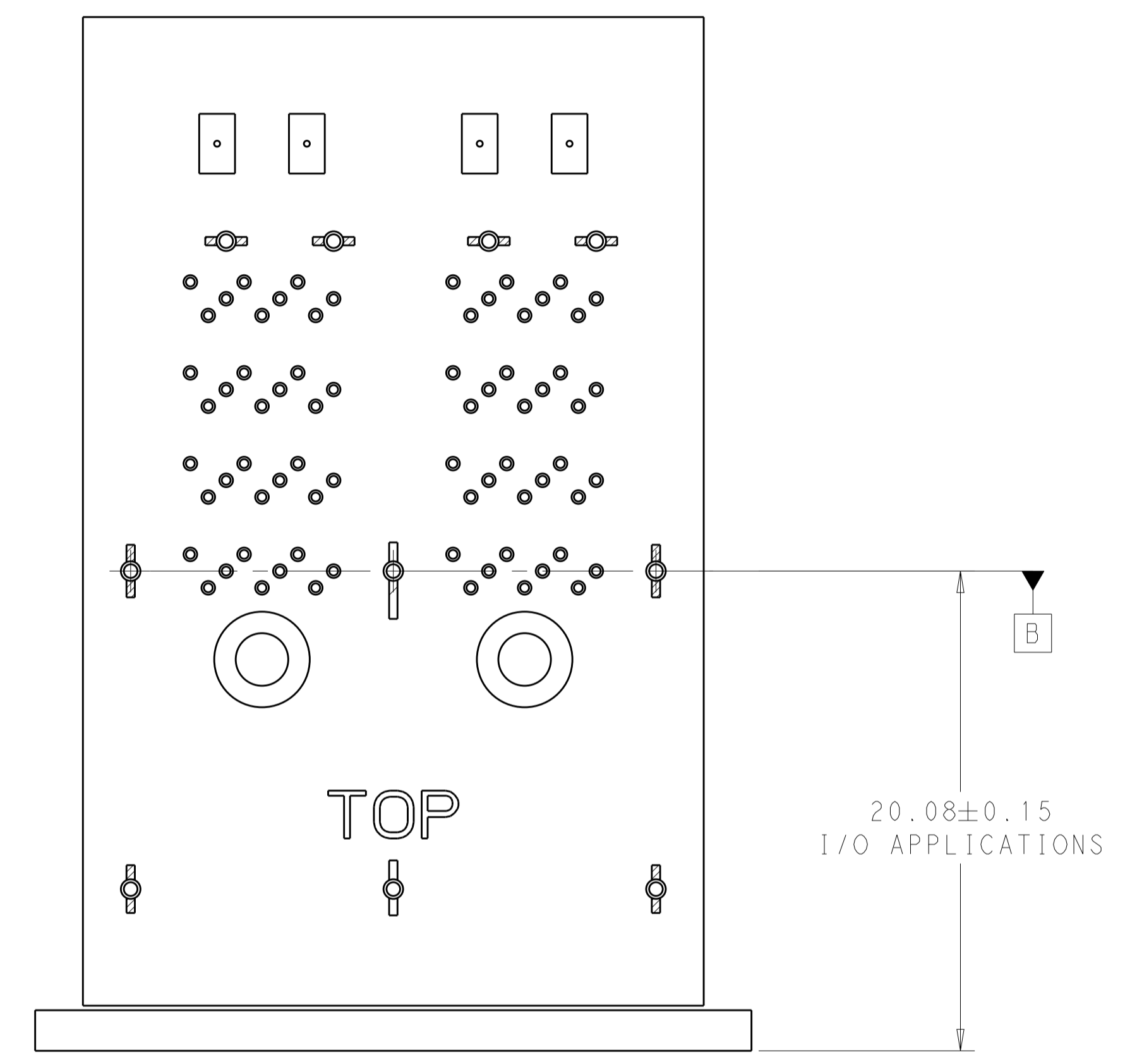
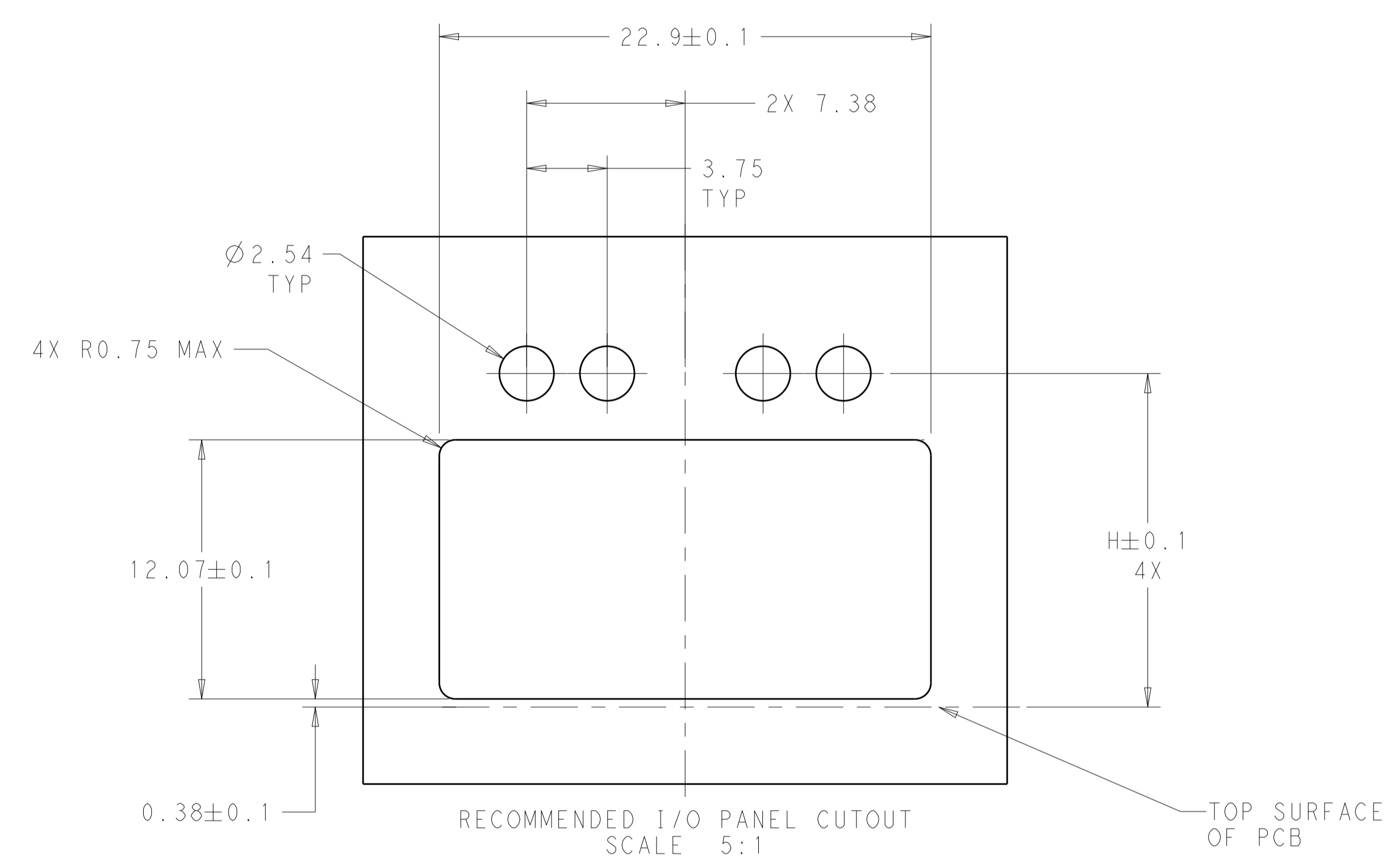


DETAIL X  
SCALE 25:1

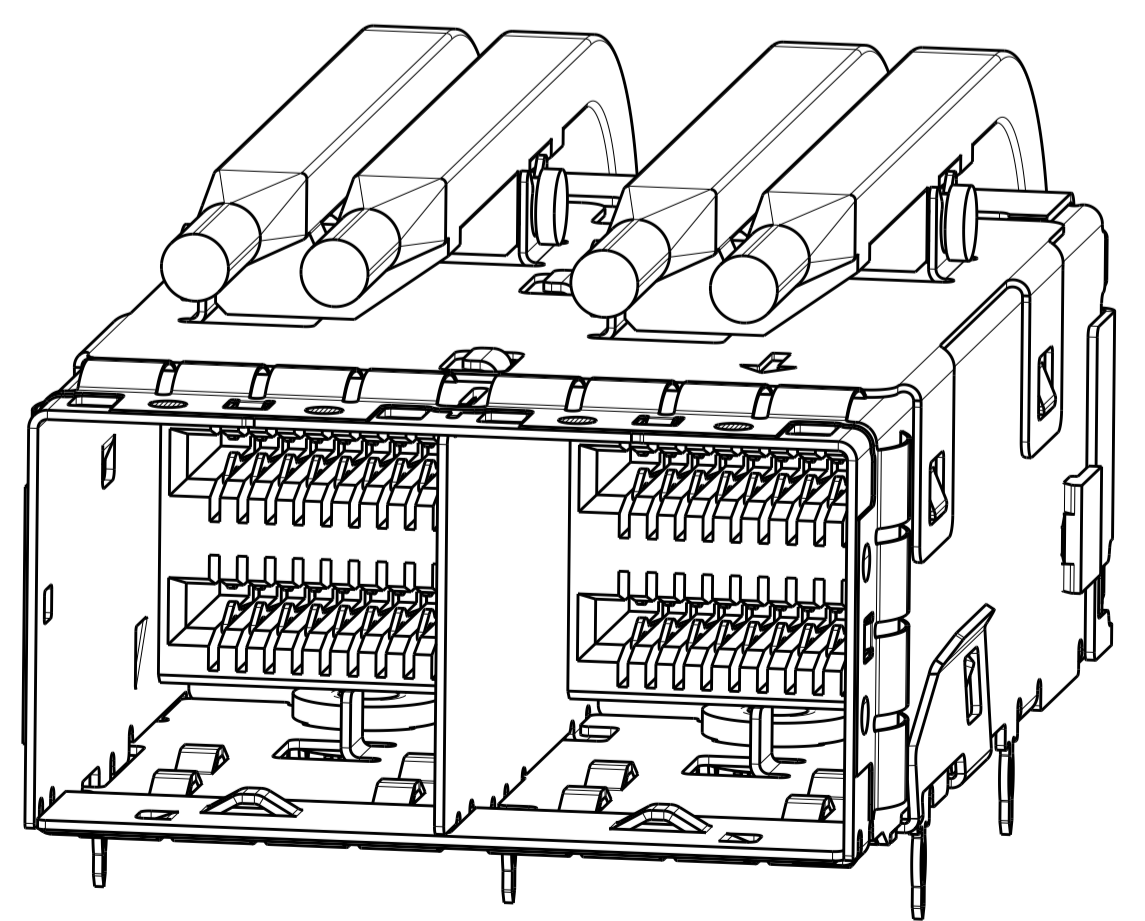
RECOMMENDED PCB LAYOUT

THIS DRAWING IS A CONTROLLED DOCUMENT. DIMENSIONING AND TOLERANCING PER ASME Y14.5M-2009		OWN: B. MATTHEWS 21FEB2014 CHK: D. GORENC 21FEB2014	TE Connectivity	
DIMENSIONS: mm	TOLERANCES UNLESS OTHERWISE SPECIFIED:	APVD: D. GORENC 21FEB2014	NAME: RECEPTACLE ASSEMBLY, MINI-SAS HD, 2X W/ LIGHT PIPES	
0 PLC ±	0.25	PRODUCT SPEC: 108-2462	SIZE: 114-13316	
2 PLC ±0.13		APPLICATION SPEC: 114-13316	RESTRICTED TO: A100779C=2274684	
3 PLC ±		WEIGHT: -	SCALE: 5:1 SHEET 3 OF 4 REV B	
4 PLC ±		CUSTOMER DRAWING		

LOC	DIST	REVISIONS			
P	LTH	DESCRIPTION	DATE	DWN	APVD
-	-	SEE SHEET 1	-	-	-



PANEL/PCB ASSEMBLY  
SCALE 5:1



THIS DRAWING IS A CONTROLLED DOCUMENT. DIMENSIONING AND TOLERANCING PER ASME Y14.5M-2009.		DWN B. MATTHEWS 21FEB2014	TE Connectivity
DIMENSIONS: mm		CHK D. GORENC 21FEB2014	
TOLERANCES UNLESS OTHERWISE SPECIFIED:		APVD D. GORENC 21FEB2014	NAME RECEPTACLE ASSEMBLY, MINI-SAS HD, 2X W/ LIGHT PIPES
0 PLC ±	1 PLC ±0.25	PRODUCT SPEC	SIZE CAGE CODE DRAWING NO
2 PLC ±0.13	3 PLC ±	108-2462	A100779C=2274684
4 PLC ±	ANGLES ±	APPLICATION SPEC	RESTRICTED TO
MATERIAL	FINISH	114-13316	WEIGHT
-	-	CUSTOMER DRAWING	SCALE 5:1 SHEET 4 OF 4 REV B

单击下面可查看定价，库存，交付和生命周期等信息

[>>TE Connectivity\(泰科\)](#)