

4

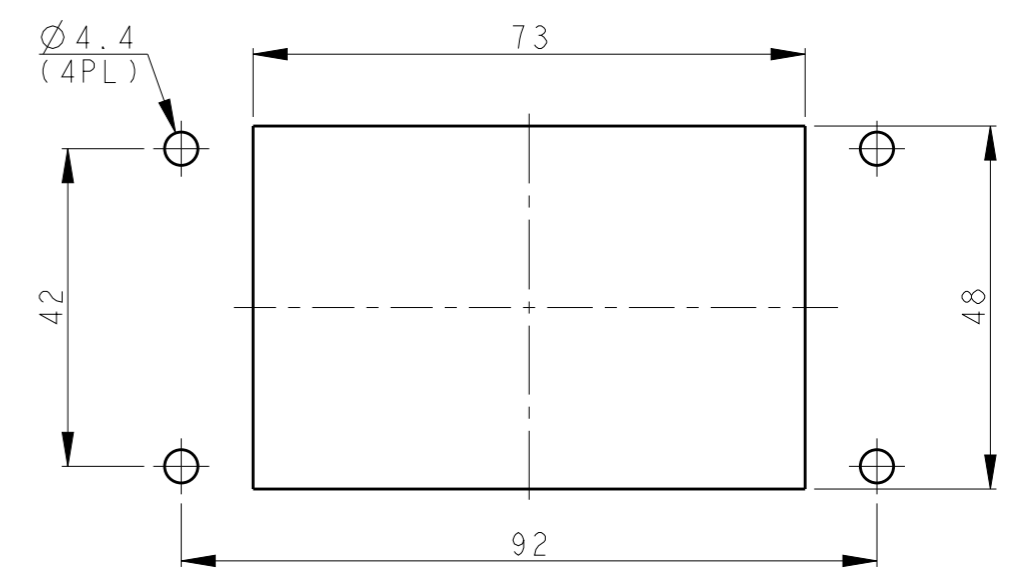
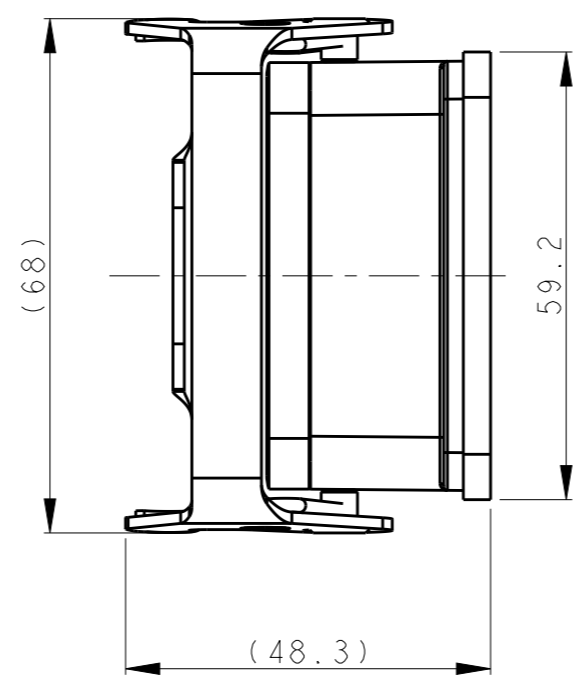
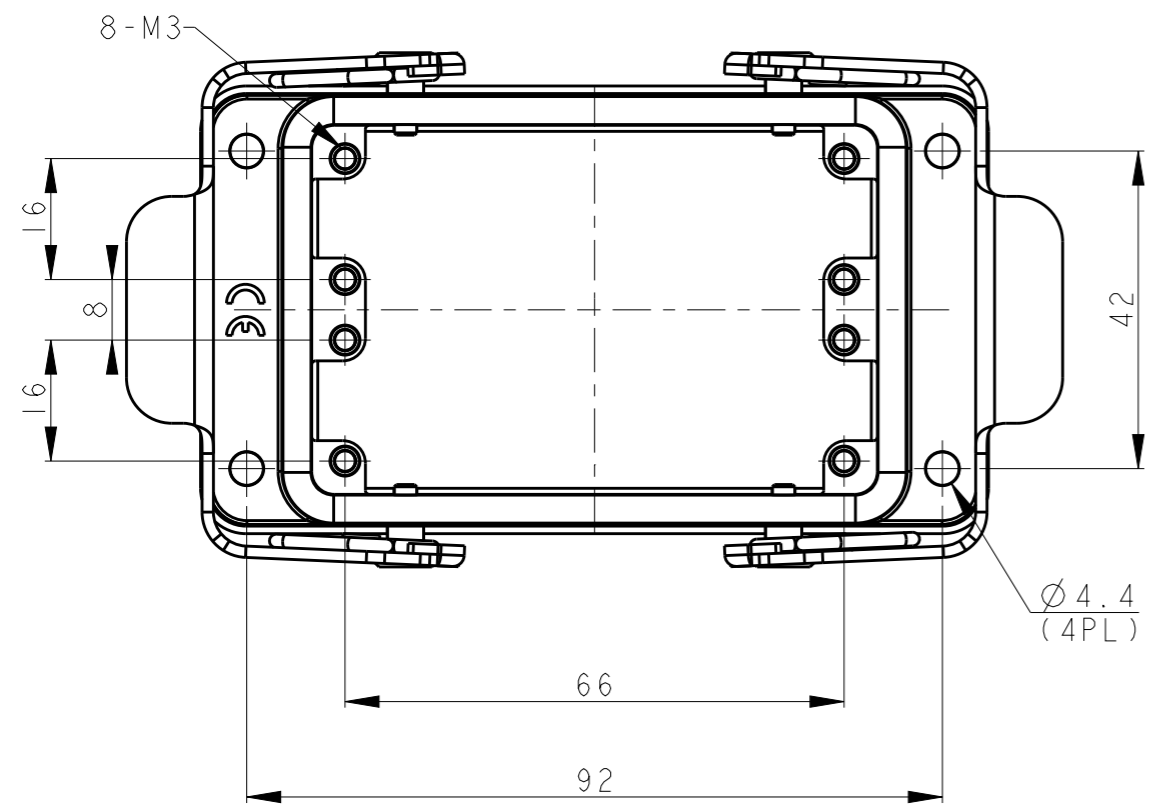
3

2

1

THIS DRAWING IS UNPUBLISHED. RELEASED FOR PUBLICATION 20
 © COPYRIGHT 20 BY - ALL RIGHTS RESERVED.

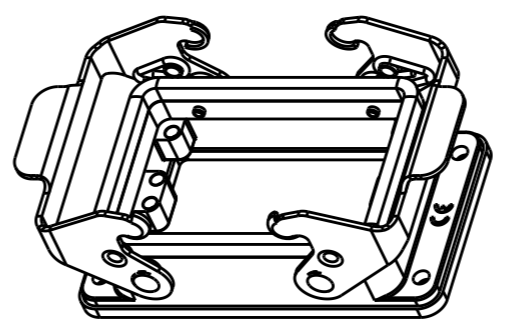
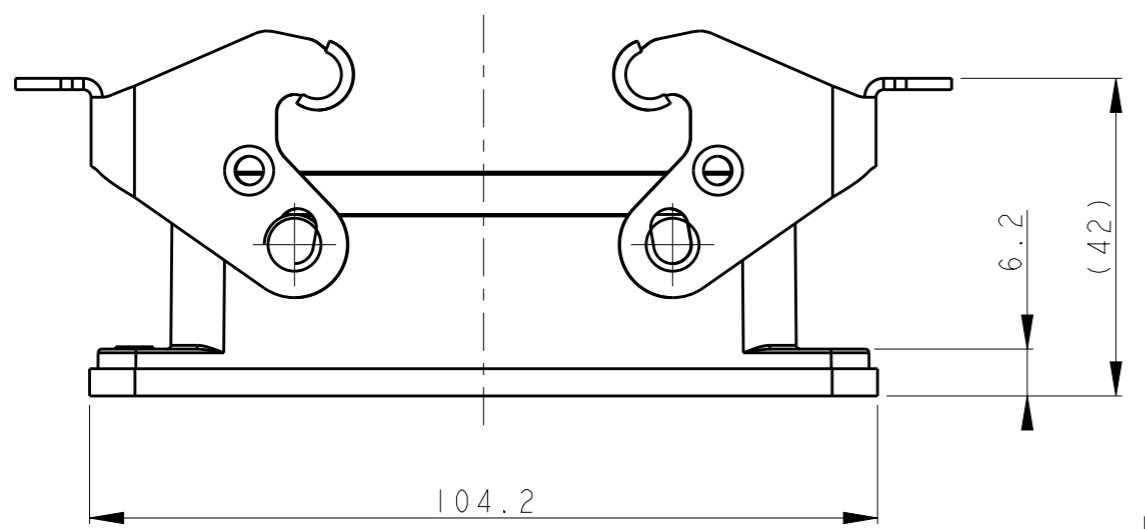
REVISIONS					
P	LTR	DESCRIPTION	DATE	DWN	APVD
	A	INITIAL RELEASE	22APR2015	DL	CW
	A1	ECR-15-013439	11SEP2015	DL	CW
	B	ECR-20-010477	28DEC2020	BS	CW



PANNEL CUT OUT

NOTES:
 1. TECHNICAL CHARACTERISTICS:
 BODY MATERIAL: DIE CAST ALUMINIUM ALLOY
 SURFACE TREATMENT: POWDER-COATED, GRAY
 DEGREE OF PROTECTION: IP65 (MATED)

注释:
 1. 技术参数:
 主体材料: 铝合金
 表面处理: 粉末喷涂, 灰色
 防护等级: IP65(配合)



THIS DRAWING IS A CONTROLLED DOCUMENT.

DIMENSIONS: mm	TOLERANCES UNLESS OTHERWISE SPECIFIED: 0 PLC ±- 1 PLC ±- 2 PLC ±- 3 PLC ±- 4 PLC ±- ANGLES ±-
MATERIAL	FINISH

DWN	22APR2015
DAVID LI	
CHK	22APR2015
CHRIS WANG	
APVD	22APR2015
XU XIANG	
PRODUCT SPEC	108-137010
APPLICATION SPEC	114-137010
WEIGHT	-
Customer Drawing	

T1419320000-000		H32A-AG	
ASSEMBLY PART NUMBER		ASSEMBLY PART DESCRIPTION	
STE TE Connectivity			
NAME H32A-AG			
SIZE	CAGE CODE	DRAWING NO	RESTRICTED TO
A3	-	©-T1419320000000	-
SCALE 1:1		SHEET 1 OF 1	REV B

单击下面可查看定价，库存，交付和生命周期等信息

[>>TE Connectivity\(泰科\)](#)