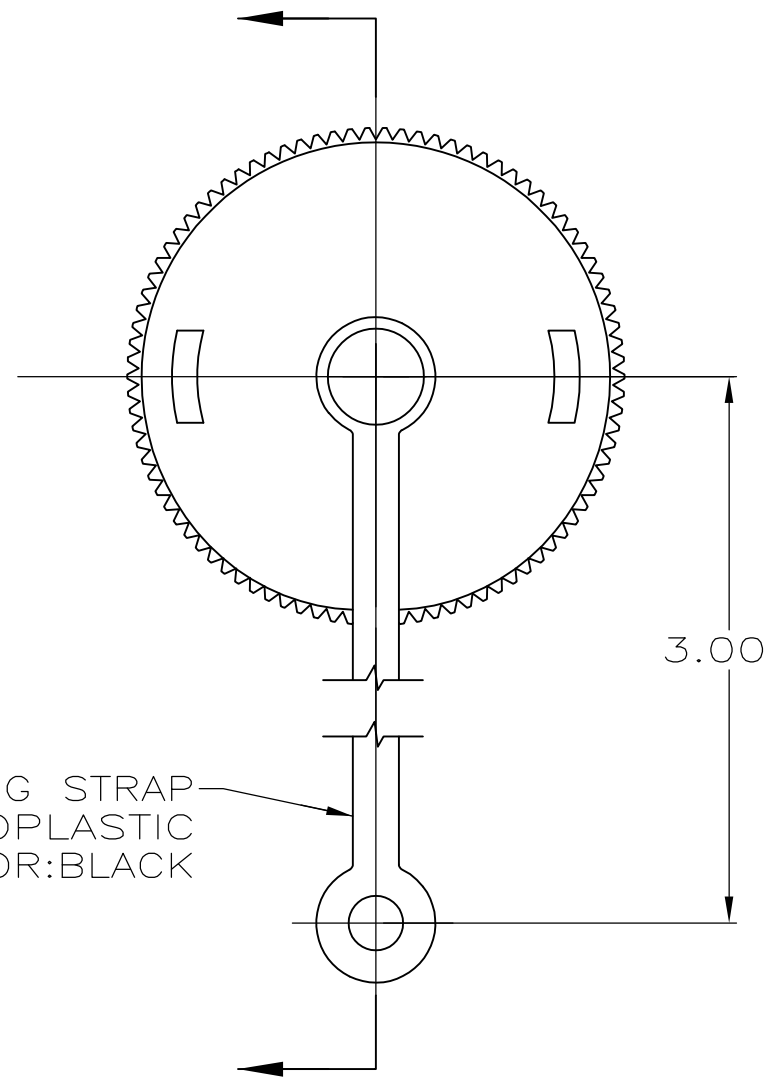


THIS DRAWING IS UNPUBLISHED. RELEASED FOR PUBLICATION  
 © COPYRIGHT - By - ALL RIGHTS RESERVED.

LOC	DIST	REVISIONS			
P	LTR	DESCRIPTION	DATE	DWN	APVD
FT	4	G1	REVISED PER ECO-11-004820	11MAR11	RK HMR



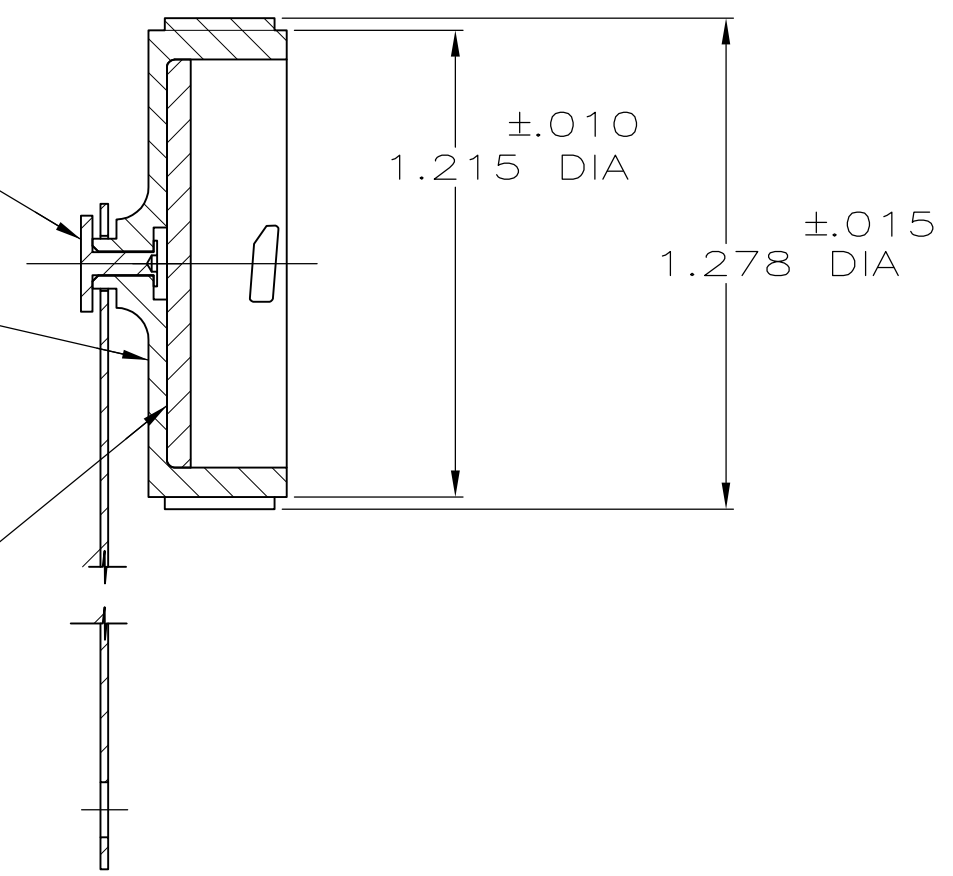
MOUNTING STRAP  
 MATERIAL:THERMOPLASTIC  
 COLOR:BLACK

3.000±.030

RIVET  
 MATERIAL:CARBON STEEL  
 FINISH:ZINC PLATE  
 W/CLEAR CHROMATE

SEALING CAP  
 MATERIAL:THERMOPLASTIC  
 COLOR:BLACK

SEALING GASKET  
 MATERIAL:NEOPRENE  
 RUBBER  
 SEE TABLE



SUPERCEDED BY 207445-3

YES	YES	207445-3
YES	NO	207445-2
NO	YES	207445-1
ROHS COMPLIANT	SEALING GASKET	PART NUMBER

THIS DRAWING IS A CONTROLLED DOCUMENT.		DWN	S.RIDGLEY	7/30/90	<b>STE</b> TE Connectivity											
DIMENSIONS: INCHES		CHK	R.STONE	4-26-91												
TOLERANCES UNLESS OTHERWISE SPECIFIED:		APVD	K.BEAVER	4-30-91												
<table border="0"> <tr><td>0 PLC</td><td>± -</td></tr> <tr><td>1 PLC</td><td>± -</td></tr> <tr><td>2 PLC</td><td>± -</td></tr> <tr><td>3 PLC</td><td>± .005</td></tr> <tr><td>4 PLC</td><td>± -</td></tr> <tr><td>ANGLES</td><td>± -</td></tr> </table>		0 PLC	± -	1 PLC		± -	2 PLC	± -	3 PLC	± .005	4 PLC	± -	ANGLES	± -	PRODUCT SPEC	
0 PLC	± -															
1 PLC	± -															
2 PLC	± -															
3 PLC	± .005															
4 PLC	± -															
ANGLES	± -															
MATERIAL SEE CALLOUTS		FINISH SEE CALLOUTS		APPLICATION SPEC												
SEE CALLOUTS		SEE CALLOUTS		WEIGHT -												
CUSTOMER DRAWING				SIZE	A3											
SCALE				CAGE CODE	00779											
SHEET				DRAWING NO	C-207445											
RESTRICTED TO				SCALE	2:1											
SHEET				1 OF 1	REV											
G1																

单击下面可查看定价，库存，交付和生命周期等信息

[>>TE Connectivity\(泰科\)](#)