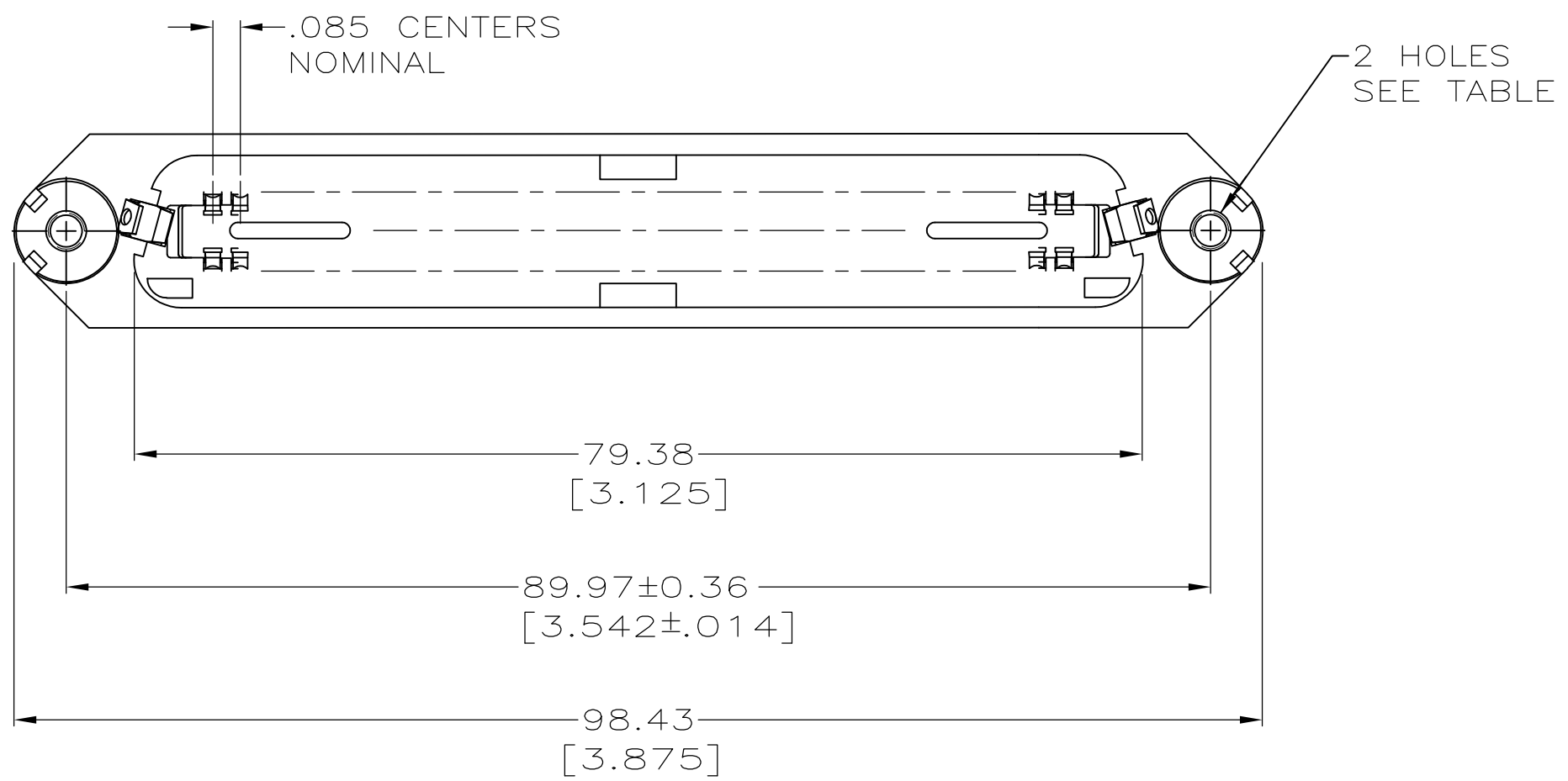
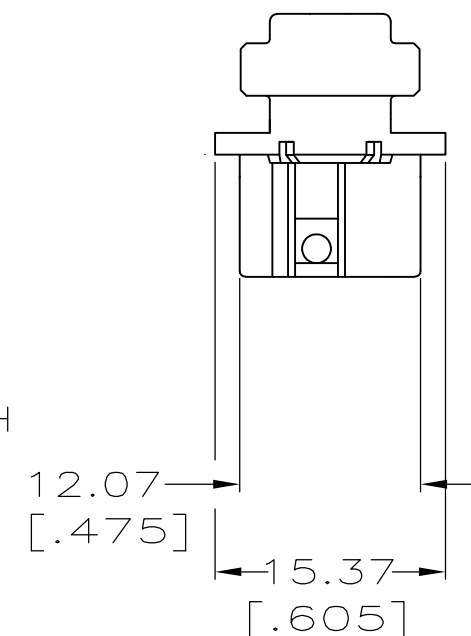
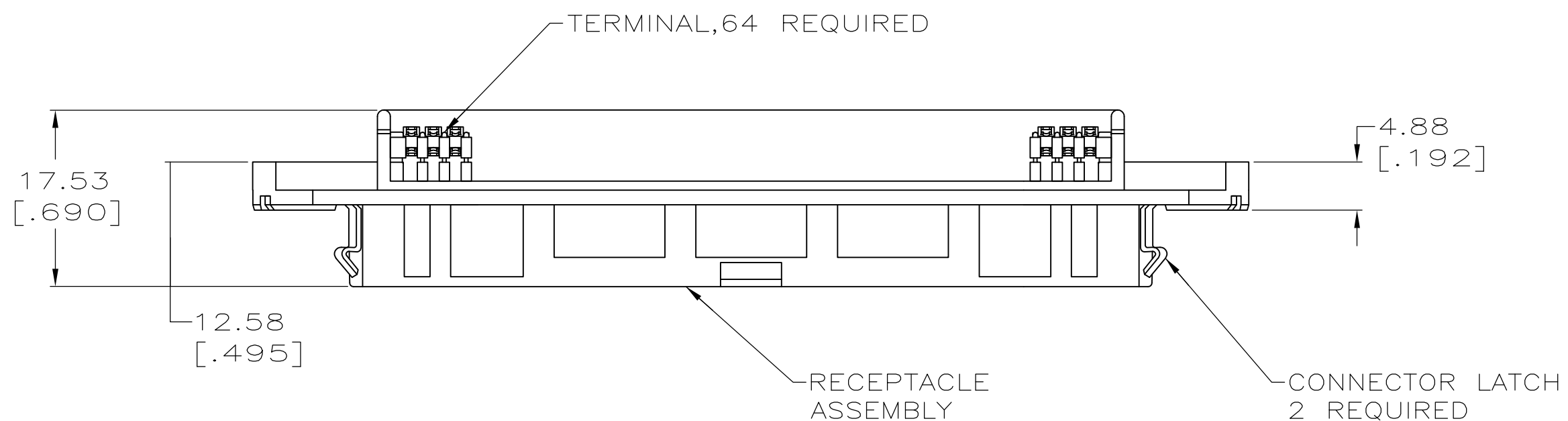
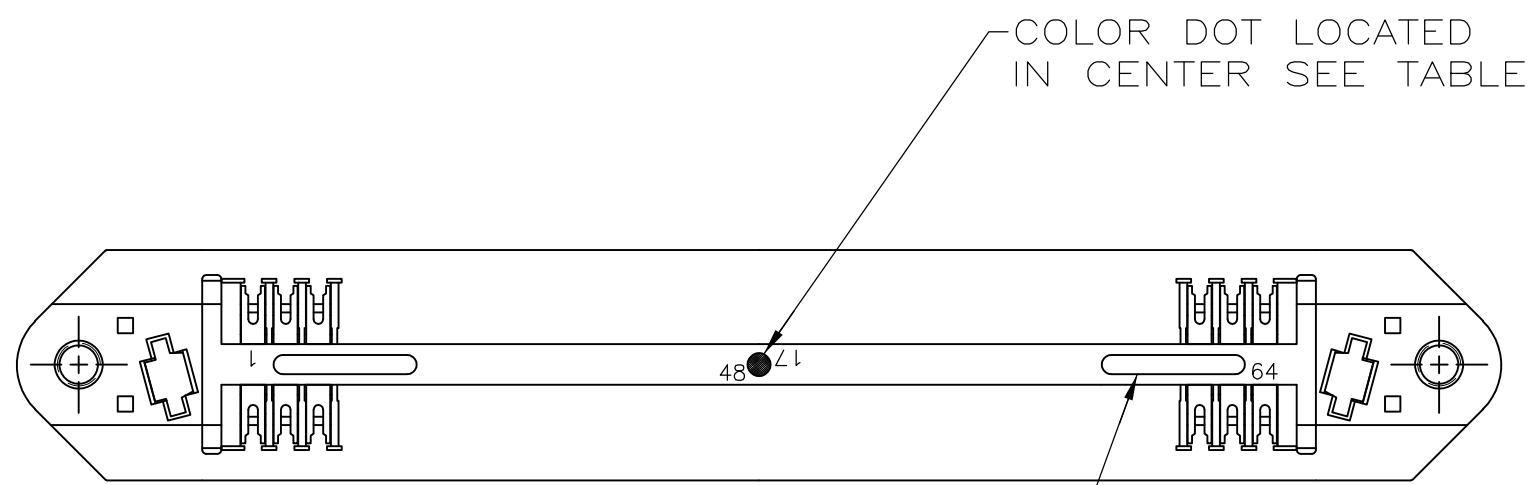


THIS DRAWING IS UNPUBLISHED. RELEASED FOR PUBLICATION
 © COPYRIGHT 2005 BY TYCO ELECTRONICS CORPORATION. ALL RIGHTS RESERVED.

LOC	DIST	REVISIONS			
P	LTR	DESCRIPTION	DATE	DWN	APVD
GP	00	B	REVISED PER ECO-08-007327	02OCT08	BM WM



- 1 MATERIAL: HOUSING – POLYPHENYLENE OXIDE.
 TERMINAL – HIGH STRENGTH COPPER ALLOY PLATED WITH 0.76µm [.000030] MIN GOLD OR GOLD FLASH OVER PALLADIUM NICKEL PLATE, 0.76µm [.000030] MIN TOTAL ON MATING SURFACE, OVER 1.27µm [.000050] MIN NICKEL PLATING.
 LATCH – BRIGHT ZINC PLATED STEEL.
- 2. THE CONTACT SURFACES OF THE TERMINALS ARE COATED WITH LUBRICANT.
- 3 ALL DIMENSIONS SHOWN ARE MAXIMUM UNLESS OTHERWISE SPECIFIED.
- 4 WIRE SIZE: 24 & 26 AWG SOLID OR 24 AWG 7 STRANDS OF COPPER CONDUCTORS. MAXIMUM INSULATION DIAMETER OF .045 IS ACCEPTABLE FOR MOST APPLICATIONS.
- 5 WIRE SIZE: 22 AWG SOLID OR STRANDED COPPER CONDUCTORS. MAXIMUM INSULATION DIA. OF .056 IS ACCEPTABLE FOR MOST APPLICATIONS.
- 6 CORING MAY OR MAY NOT APPEAR AND IS AT THE DISCRETION OF AMP INCORPORATED.

Ø.182 – Ø.192	BLUE	B	4	BLACK	1-5554381-0
#4-40UNC-2B	BLUE	B	4	BLACK	5554381-2
HOLE SIZE	COLOR DOT	SLOT SIZE	COLOR	PART NUMBER	
THIS DRAWING IS A CONTROLLED DOCUMENT.		DWN G.PETERS 28SEP05	Tyco Electronics Corporation Harrisburg, Pa 17105-3608		
DIMENSIONS: mm [INCHES]		CHK W.MILLHIMES 28SEP05	NAME		
TOLERANCES UNLESS OTHERWISE SPECIFIED:		APVD M.WALMSLEY 28SEP05	RECEPTACLE ASSEMBLY, 64 POSITION, INTEGRAL LACKING LATCH, THICK FLANGE, CHAMP-LOK		
0 PLC ± -	1 PLC ± -	PRODUCT SPEC	SIZE	CAGE CODE	DRAWING NO
2 PLC ± -	3 PLC ± -	APPLICATION SPEC	A2	00779	C=5554381
3 PLC ± -	4 PLC ± -	WEIGHT	RESTRICTED TO		
ANGLES ± -	FINISH	WEIGHT	SCALE 2:1 SHEET 1 OF 1 REV B		
MATERIAL	FINISH	CUSTOMER DRAWING			

单击下面可查看定价，库存，交付和生命周期等信息

[>>TE Connectivity\(泰科\)](#)