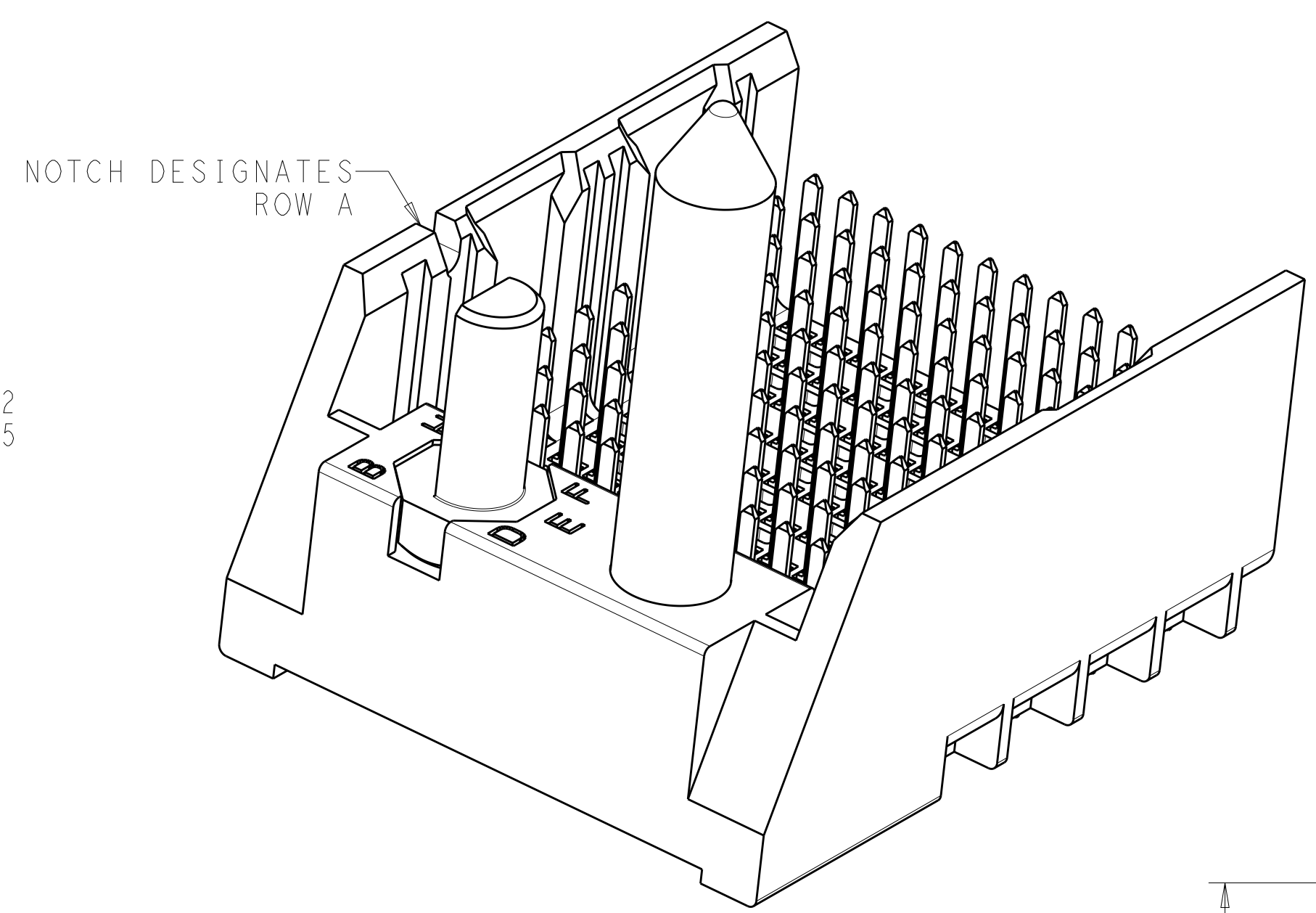
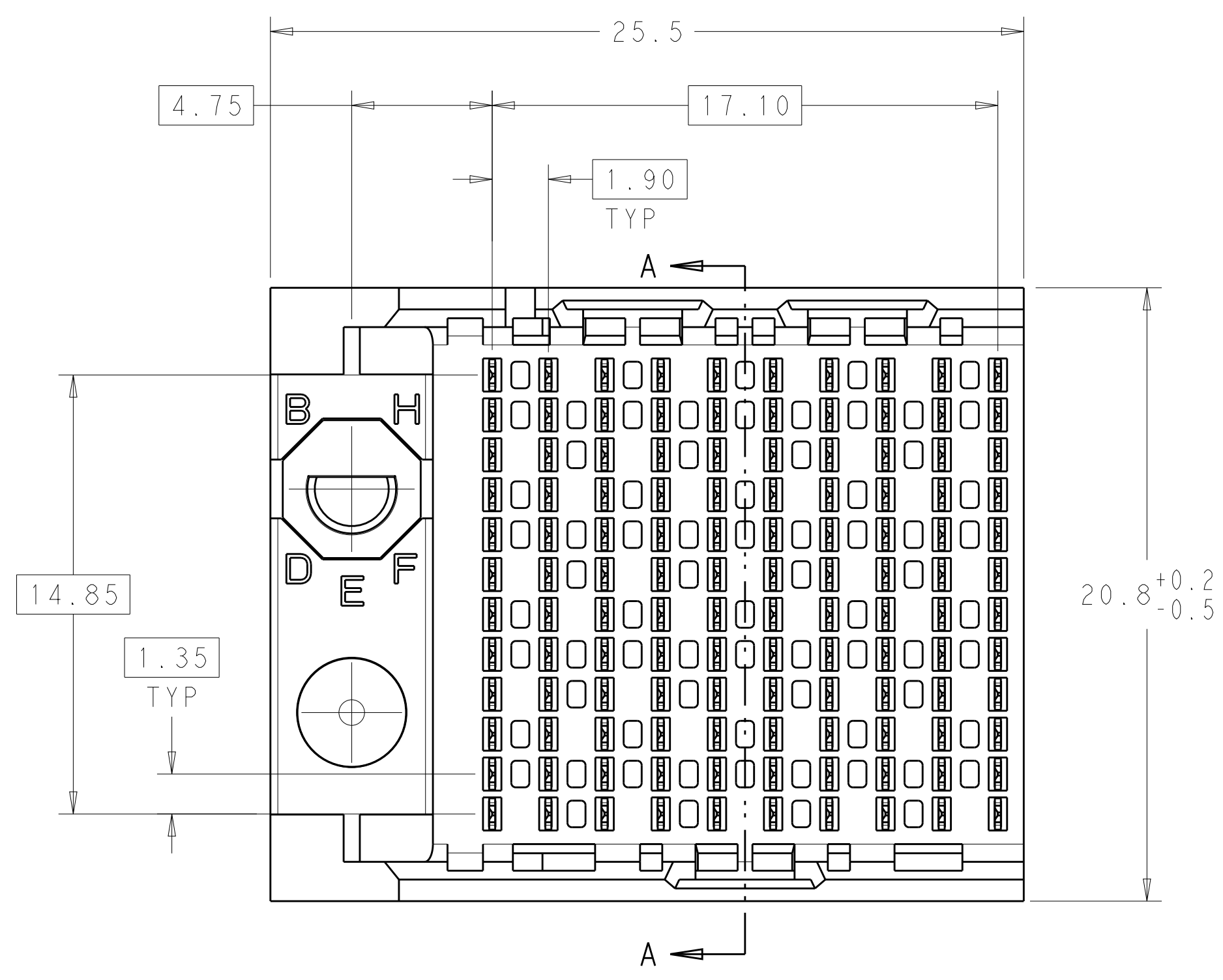
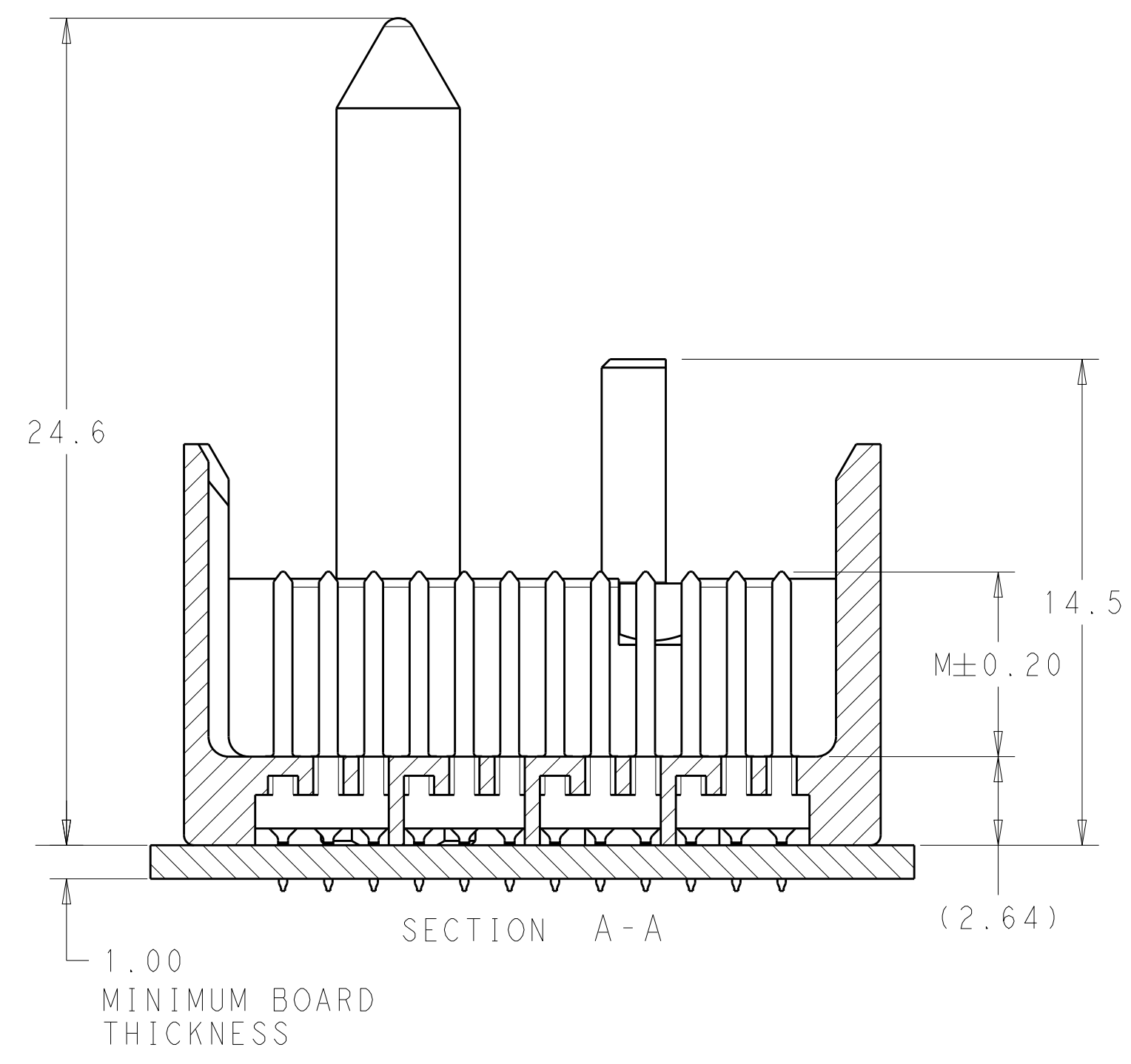
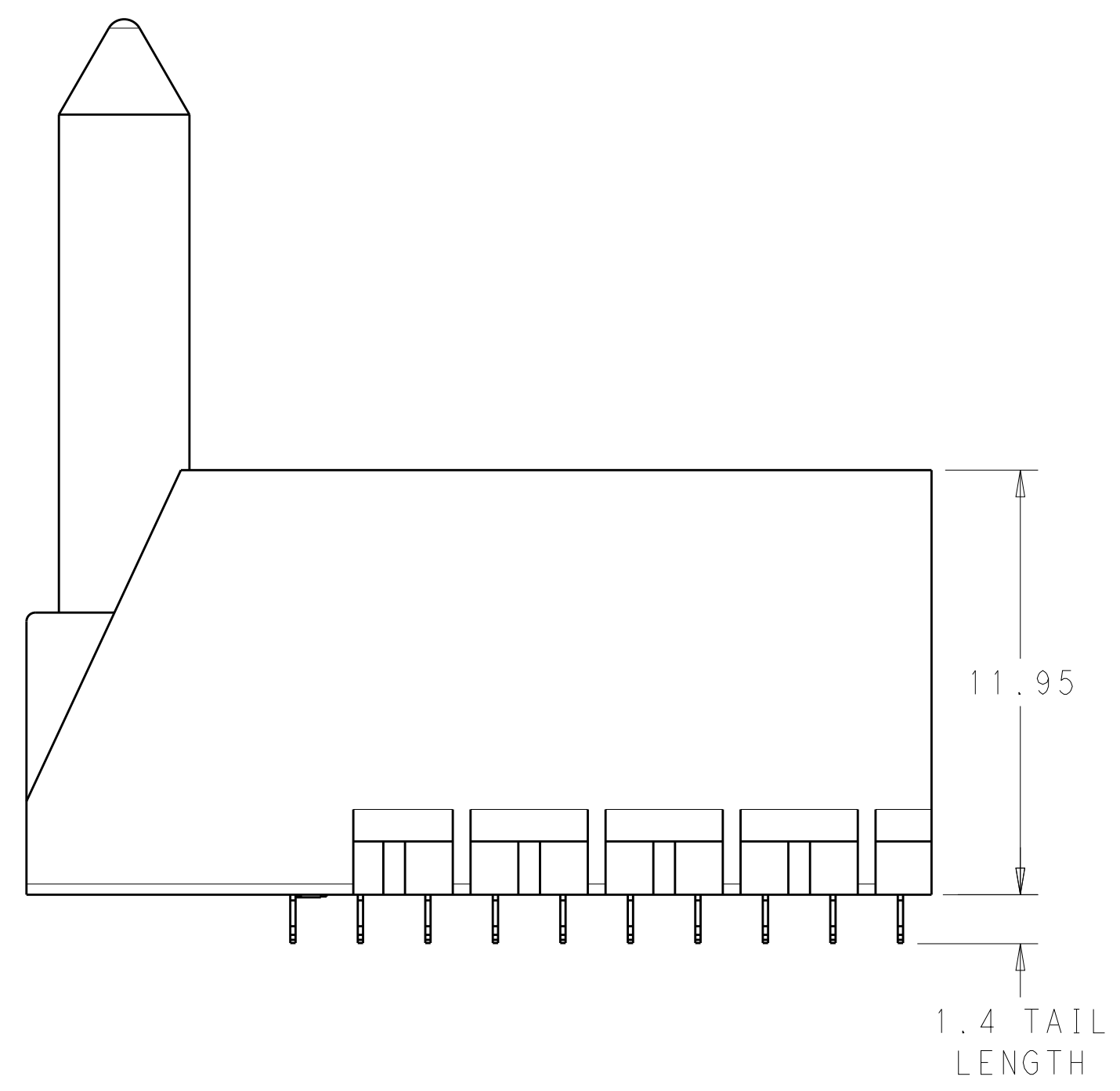
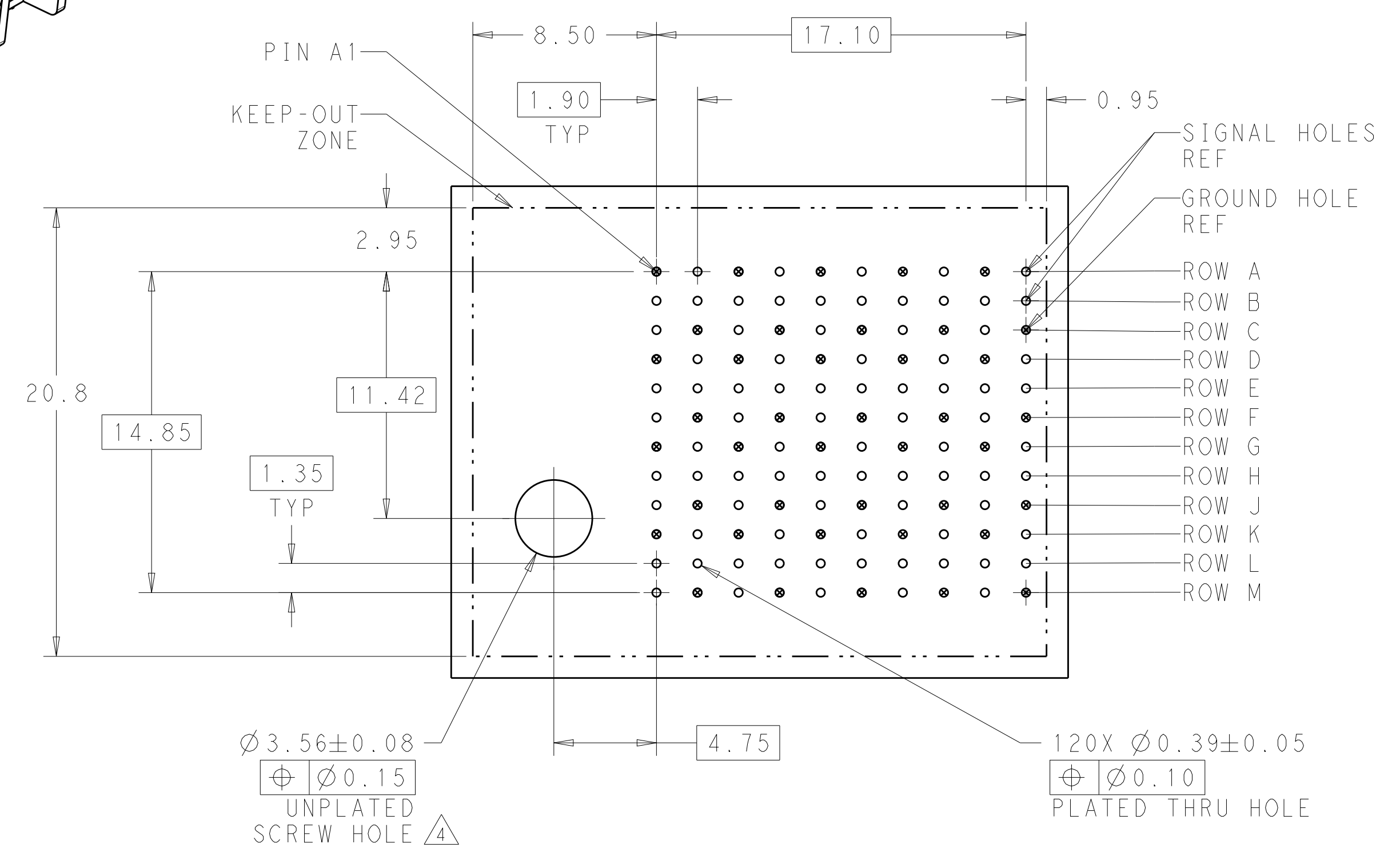


LOC		DIST		REVISIONS			
AD	00	P	LTN	DESCRIPTION	DATE	DWN	APVD
		B1		REVISED PER ECO-15-001494	03FEB2015	AP	DD



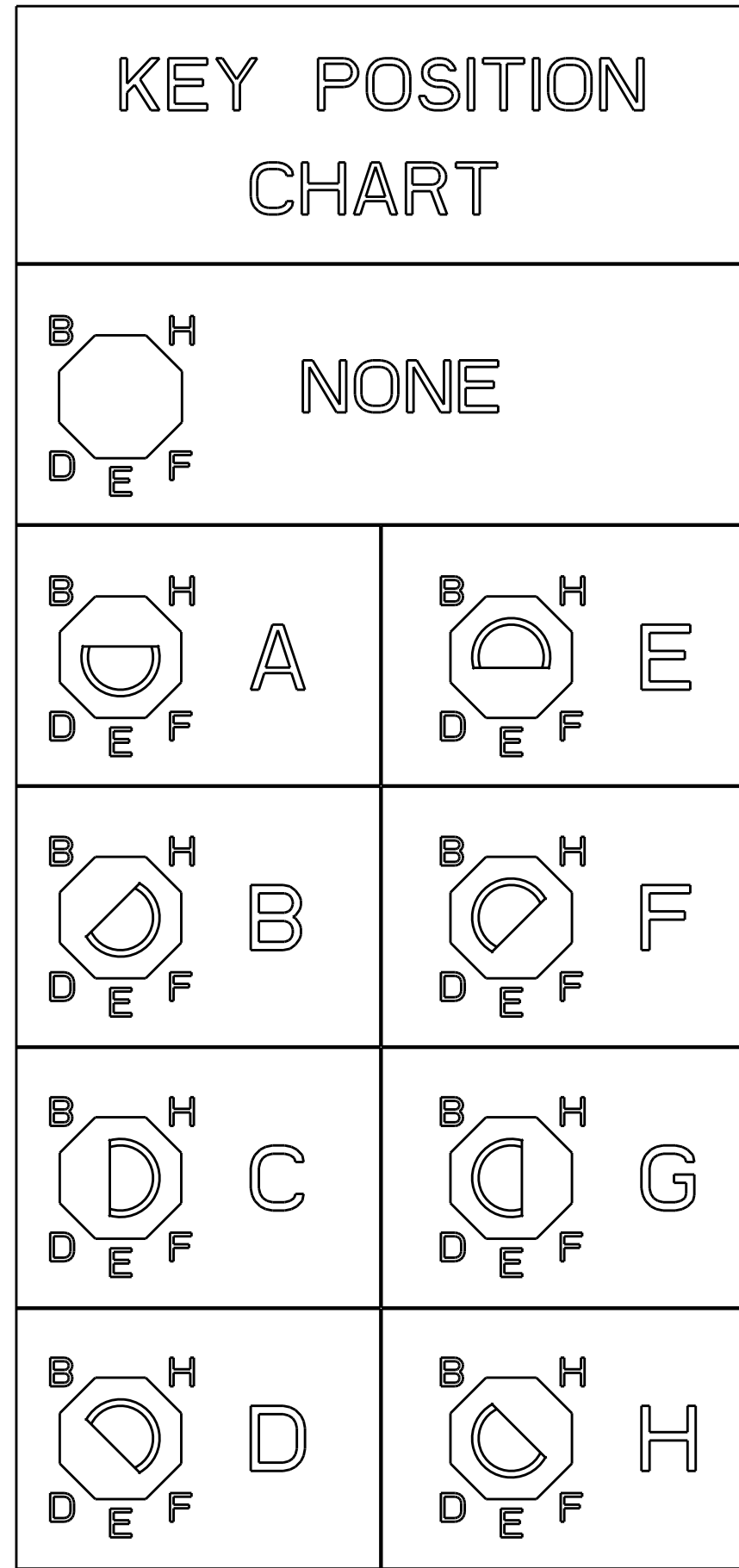
- 1 MATERIAL:
HOUSING: LCP, GLASS FILLED, UL94V-0.
TERMINALS: HIGH PERFORMANCE COPPER ALLOY.
- 2 FINISH:
30μ" MIN GOLD IN CONTACT AREA. SELECTIVE TIN ON PCB TAILS, NICKEL OVERALL.
- 3. SCREWS PACKAGED IN END OF PACKAGING TUBE.
- 4 FOR GROUNDED GUIDE PIN USE $\varnothing 3.56 \pm 0.08$ PTH, $\varnothing 3.66$ DRILL, AND $\varnothing 6.5$ PAD.
- 5. KEYING PIN SHOWN IN POSITION A, SEE KEYING CHART ON SHEET 2 FOR OTHER POSITIONS.



THIS DRAWING IS A CONTROLLED DOCUMENT.		DWN J. K. SHOBER 26DECT11	TE Connectivity
DIMENSIONS: mm		CHK J. EARY 26DECT11	
TOLERANCES UNLESS OTHERWISE SPECIFIED:		APVD J. EARY 26DECT11	NAME: IMPACT, 4 PAIR, 10 COLUMN, HEADER LEFT GUIDED, OPEN END WALL SIGNAL MODULE, 0.39 PTH
0 PLC ±		PRODUCT SPEC	
1 PLC ±0.25		APPLICATION SPEC	SIZE: CAGE CODE DRAWING NO: A100779C=2007809 WEIGHT: - CUSTOMER DRAWING
2 PLC ±0.13		SCALE: 6:1	
3 PLC ±		SHEET 1 OF 2	
4 PLC ±		REV: B1	
ANGLES ±			
FINISH: SEE TABLE			

THIS DRAWING IS UNPUBLISHED. RELEASED FOR PUBLICATION 20
 © COPYRIGHT 20 . ALL RIGHTS RESERVED.

LOC		DIST		REVISIONS			
AD	00	P	LTN	DESCRIPTION	DATE	DMN	APVD
		-		SEE SHEET 1			



	H	5.5	8-2007809-3
	H	4.9	8-2007809-2
	H	4.5	8-2007809-1
	G	5.5	7-2007809-3
	G	4.9	7-2007809-2
	G	4.5	7-2007809-1
	F	5.5	6-2007809-3
	F	4.9	6-2007809-2
	F	4.5	6-2007809-1
	E	5.5	5-2007809-3
	E	4.9	5-2007809-2
	E	4.5	5-2007809-1
	D	5.5	4-2007809-3
	D	4.9	4-2007809-2
	D	4.5	4-2007809-1
	C	5.5	3-2007809-3
	C	4.9	3-2007809-2
	C	4.5	3-2007809-1
	B	5.5	2-2007809-3
	B	4.9	2-2007809-2
	B	4.5	2-2007809-1
	A	5.5	1-2007809-3
	A	4.9	1-2007809-2
	A	4.5	1-2007809-1
	-	5.5	2007809-3
	-	4.9	2007809-2
	-	4.5	2007809-1
FINISH	KEY POSITION	DIM M	PART NUMBER

REFER TO WWW.TE.COM
FOR PRODUCT AVAILABILITY

THIS DRAWING IS A CONTROLLED DOCUMENT.		DMN J.K.SHOBER 26DECT1	STE TE Connectivity
DIMENSIONS: mm		CHK J. EARY 26DECT1	
TOLERANCES UNLESS OTHERWISE SPECIFIED:		APVD J. EARY 26DECT1	NAME IMPACT, 4 PAIR, 10 COLUMN, HEADER LEFT GUIDED, OPEN END WALL SIGNAL MODULE, 0.39 PTH
0 PLC ±.25		PRODUCT SPEC	
1 PLC ±0.13		APPLICATION SPEC	SIZE CAGE CODE DRAWING NO RESTRICTED TO
2 PLC ±.10		WEIGHT	A100779C=2007809
3 PLC ±.08		CUSTOMER DRAWING	SCALE 5:1 SHEET 2 OF 2 REV B1
4 PLC ±.07			
ANGLES ±.0			
FINISH SEE TABLE			

单击下面可查看定价，库存，交付和生命周期等信息

[>>TE Connectivity\(泰科\)](#)