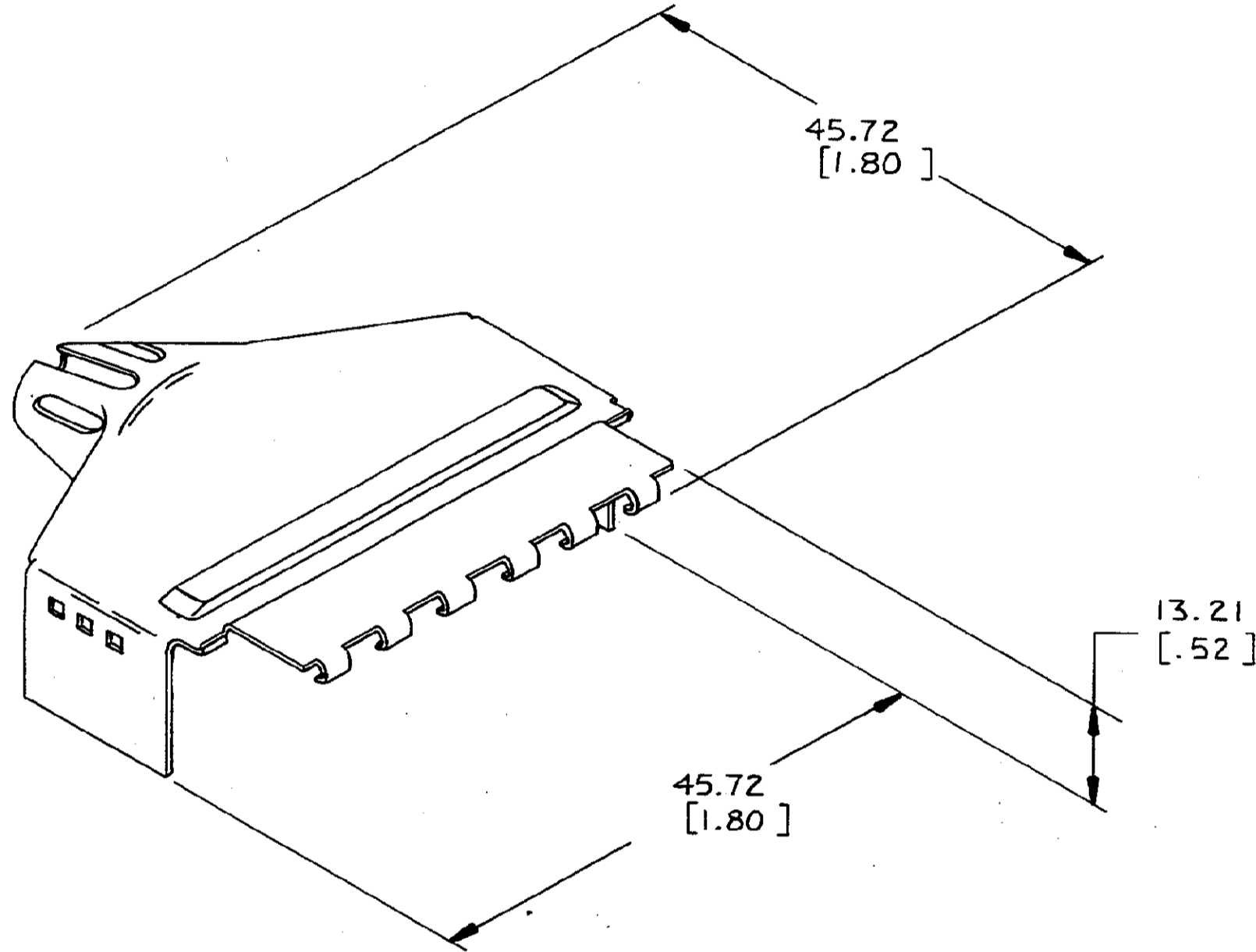


THIS DRAWING IS UNPUBLISHED. RELEASED FOR PUBLICATION . 19
 © COPYRIGHT 19 BY AMP INCORPORATED, HARRISBURG, PA. ALL INTERNATIONAL RIGHTS RESERVED. AMP PRODUCTS MAY BE COVERED BY U.S. AND FOREIGN PATENTS AND/OR PATENTS PENDING.

REVISIONS				DATE	APPROVED
P	F	ZONE	LTR	DESCRIPTION	
0	2		U	RLSD; NPI C83-144	9-8-83 SP m3

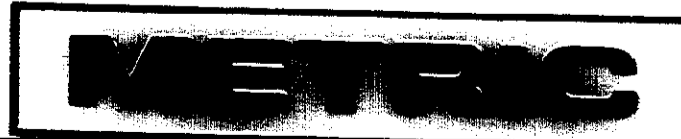
1. DIMENSIONS IN BRACKETS [] ARE IN INCHES.
2. CABLE RANGE: .250-.500 DIA.



554256-1 AS SHOWN

PART NO

UNLESS OTHERWISE SPECIFIED DIMENSIONS ARE IN MM TOLERANCES ON: DECIMALS = ANGLES =	CONTRACT NO	AMP AMP INCORPORATED Harrisburg, Pa. 17105	
	DR <i>S. Pozobanchuk</i> 9-8-83	NAME SHIELD, OUTSIDE, EMI, 180° PLUG, 36 POSITION	
MATERIAL CARBON STEEL	CHK <i>MD</i> 9-9-83	APPD <i>Wayne Peels</i> 9/18/83	APPD
FINISH BRIGHT NICKEL PLATE	DSGN APPD	SIZE C	FSCM NO 00779
	OTHER APPD	DRAWING NO 554256	SCALE 2:1
		SHEET 1 OF 1	



554256

CUSTOMER DRAWING

单击下面可查看定价，库存，交付和生命周期等信息

[>>TE Connectivity\(泰科\)](#)