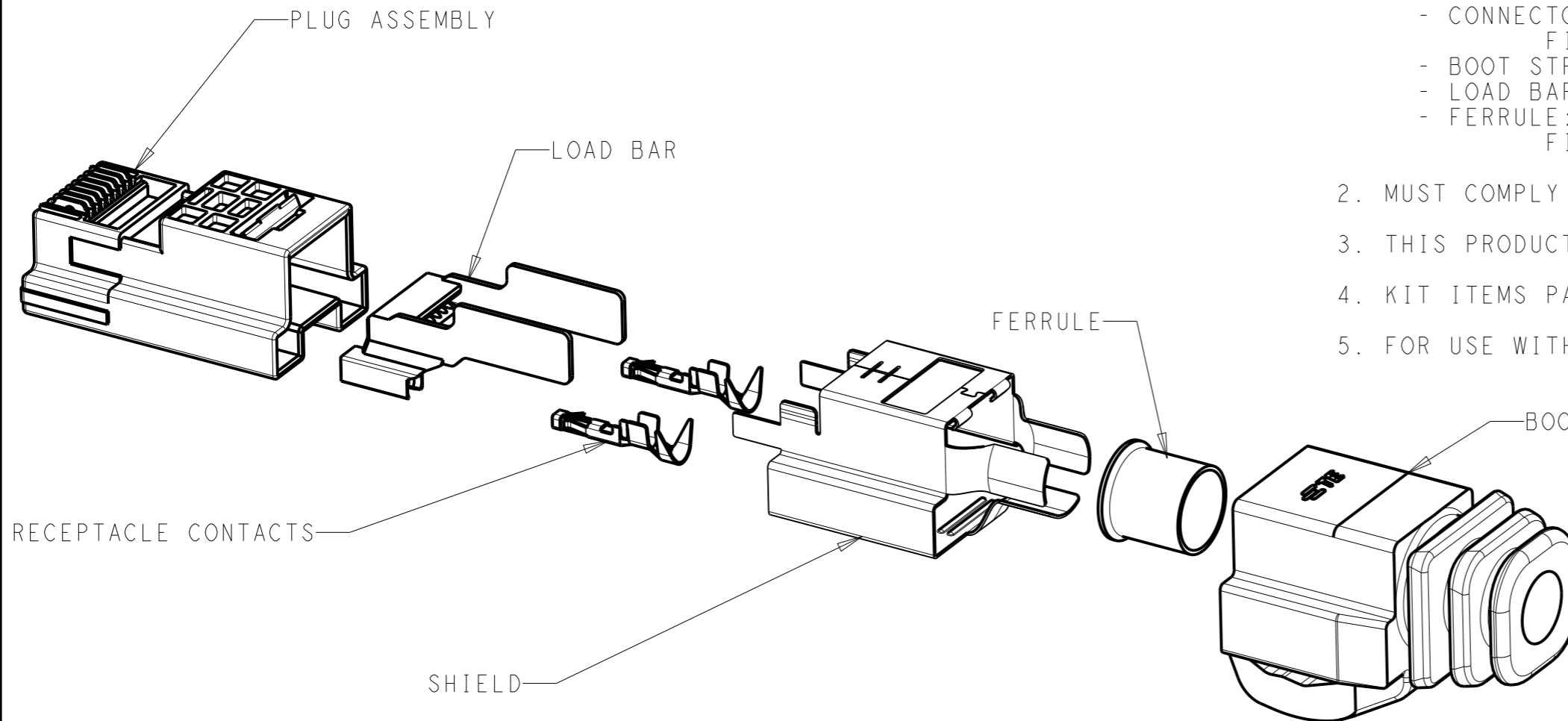


THIS DRAWING IS UNPUBLISHED. RELEASED FOR PUBLICATION 20  
 © COPYRIGHT 20 BY - ALL RIGHTS RESERVED.


LOC		DIST		REVISIONS			
P	LTR	DESCRIPTION		DATE	DWN	APVD	
-	-	1	PROPOSED	15NOV2012	CD	MM	
		2	GENERAL UPDATE	19MAR2013	MM	MM	
		3	GENERAL UPDATE	20MAR2014	MM	MM	

NOTES:

1. MATERIALS AND FINISH:
- HOUSING: PC, COLOR: LIGHT BLUE
  - CONTACTS: COPPER ALLOY  
FINISH: GOLD OVER NICKEL (SIGNAL CONTACTS)  
GOLD OVER NICKEL (POWER CONTACTS)
  - CONNECTOR SHIELD: COPPER-ZINC ALLOY  
FINISH: TIN OVER NICKEL
  - BOOT STRAIN RELIEF: TPV, COLOR: BLACK
  - LOAD BAR: PBT, COLOR: BLACK
  - FERRULE: COPPER ALLOY  
FINISH: TIN OVER NICKEL
2. MUST COMPLY WITH DIRECTIVE 2002/95/EC (ROHS)
3. THIS PRODUCT HAS NOT COMPLETED VALIDATION TESTING
4. KIT ITEMS PACKAGED IN A SINGLE BAG AND LABELED.
5. FOR USE WITH 2213212-1 BULK PACKAGED CABLE.



PART NUMBER	DESCRIPTION	MAXIMUM CABLE DIAMETER	MAXIMUM SIGNAL CONDUCTOR DIA
2178148-1	KIT, CLOUDSPLITTER PLUG, NON-SHIELDED CABLE SOLID WIRE SIGNAL COND.	Ø6.50	Ø1.02

THIS DRAWING IS A CONTROLLED DOCUMENT.		DWN C. DAILY 15NOV2012	 TE Connectivity	
DIMENSIONS: mm		CHK MOSTOLLER 15NOV2012		
TOLERANCES UNLESS OTHERWISE SPECIFIED:		APVD -	NAME KIT, CLOUDSPLITTER CABLE PLUG	
0 PLC ±-		PRODUCT SPEC 108-64022	SIZE A3	
1 PLC ±0.2		APPLICATION SPEC 114-32099	CAGE CODE 00779	DRAWING NO C-2178148
2 PLC ±0.13		WEIGHT -	RESTRICTED TO -	
3 PLC ±-		SCALE 2:1		
4 PLC ±-		SHEET 1 OF 1		
ANGLES ±2°		REV 3		
FINISH -		Customer Drawing		

单击下面可查看定价，库存，交付和生命周期等信息

[>>TE Connectivity\(泰科\)](#)