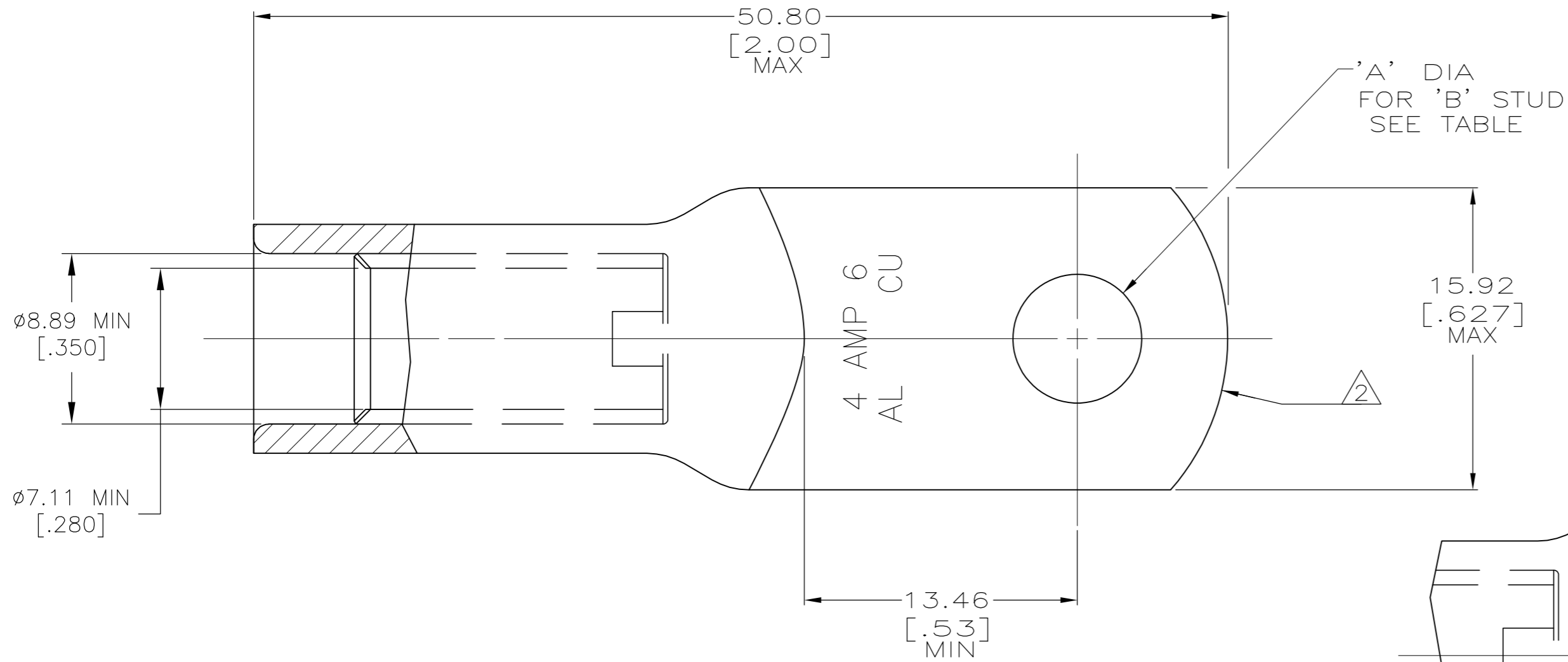
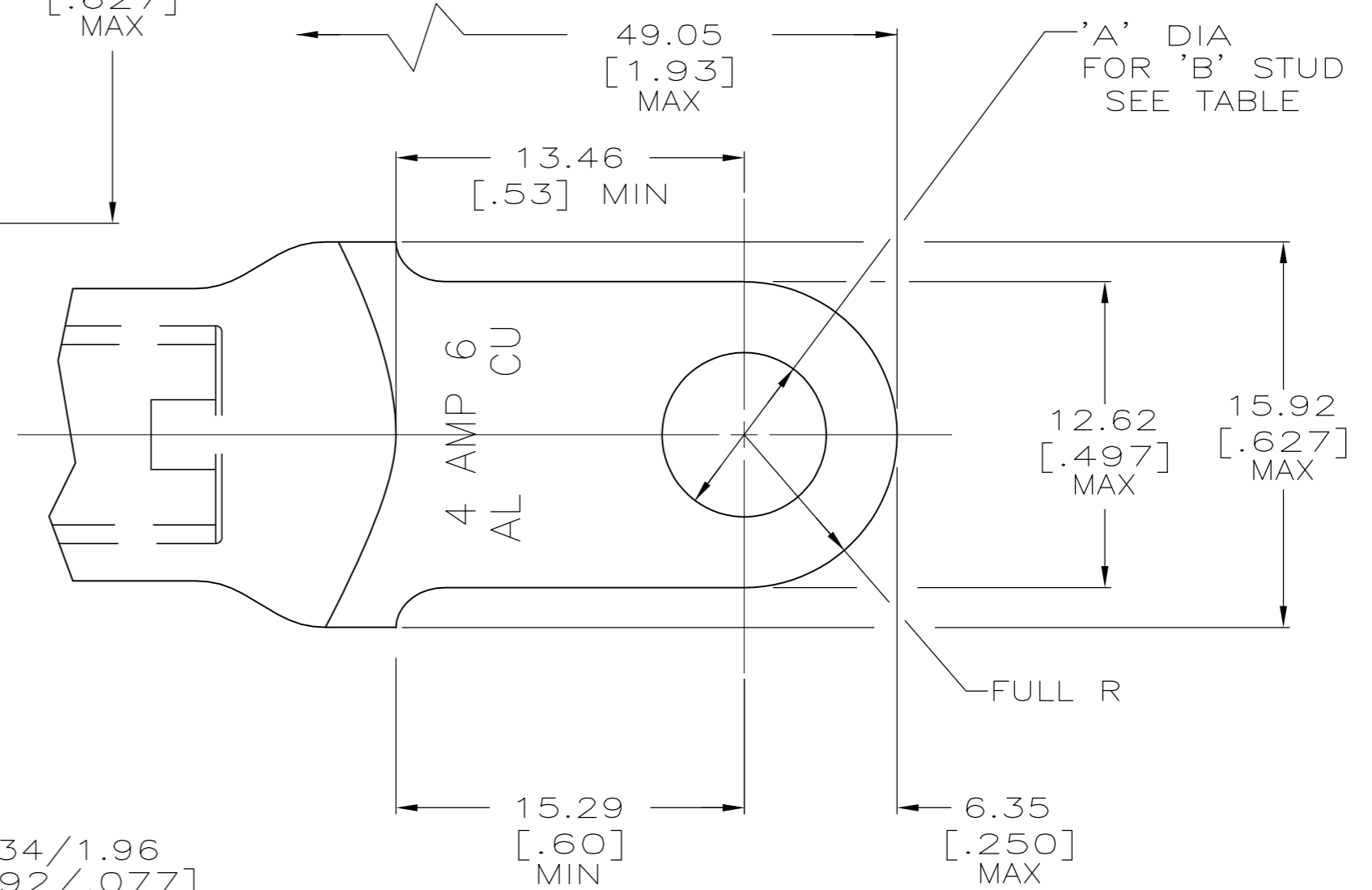


THIS DRAWING IS UNPUBLISHED. RELEASED FOR PUBLICATION
 © COPYRIGHT - By - ALL RIGHTS RESERVED.

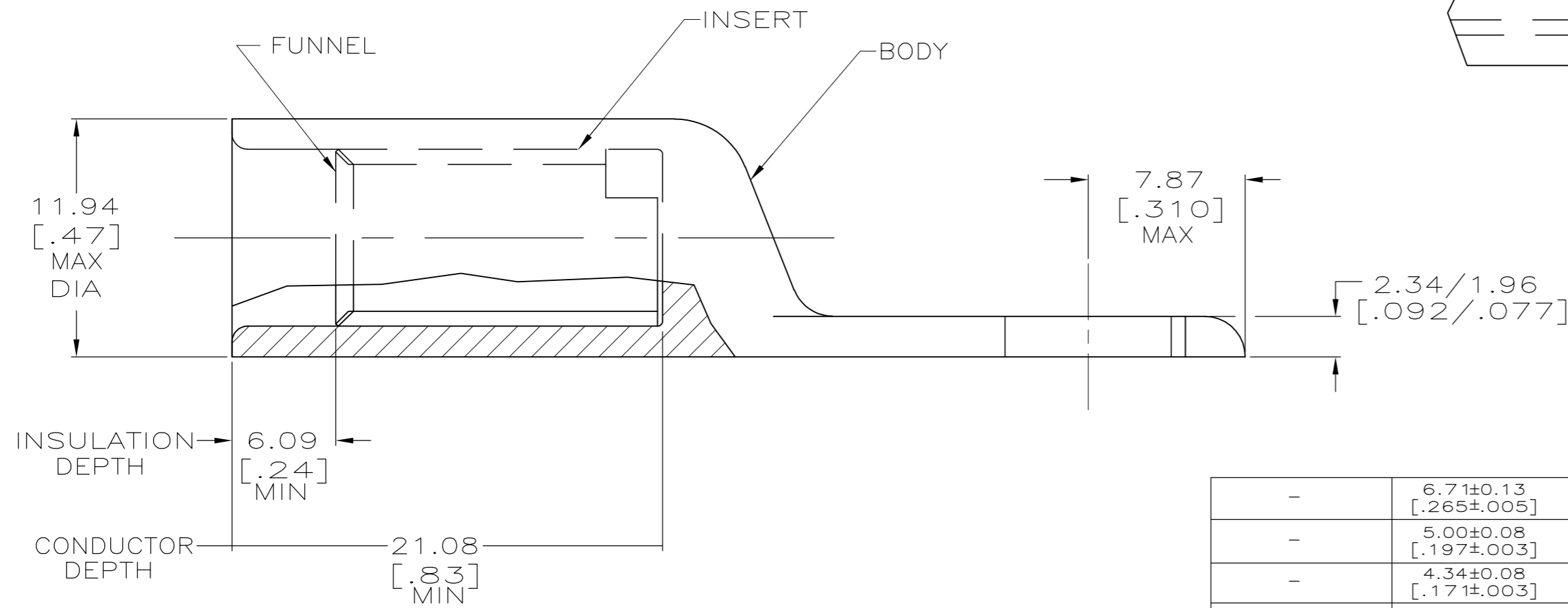
LOC		DIST		REVISIONS			
P	LTR	DESCRIPTION		DATE	DWN	APVD	
L		REV PER ECO 15-002994		2-25-15	CT	PD	



- 1 WIRE INSULATION: 7.01[.276] - 7.75[.305] DIA
- 2 THE TONGUE RADIUS FEATURE IS NOT A TOOLING CONTROLLED DIMENSION AND MAY NOT BE A TRUE RADIUS.
- 3 TERMINAL ALSO ACCEPTS #3 AWG (27MM2) ALUMINUM WIRE PER EUROPEAN REQUIREMENT EN3373 AND TEST REPORT 425E/90.



FOR 277149-6, -7, & -8 ONLY



WEIGHT	'A'	'B'	MATERIAL & FINISH	PART NO.
-	6.71±0.13 [.265±.005]	1/4	BODY: COPPER ASTM-B187 ANNEALED TIN PL MIL-T-10727 0.00381[.000150] MIN THK INSERT & FUNNEL: BRASS ASTM B36 NICKEL PL SAE AMS QQ-N-290A, DATED JULY 2000, 0.00254 [.000100] MIN THK	277149-8
-	5.00±0.08 [.197±.003]	#10		277149-7
-	4.34±0.08 [.171±.003]	#8		277149-6
-	4.34±0.08 [.171±.003]	#8		277149-5
18.5 GRAMS	9.91±0.13 [.390±.005]	3/8		277149-4
18.9 GRAMS	8.33±0.13 [.328±.005]	5/16	277149-3	
19.4 GRAMS	6.71±0.13 [.265±.005]	1/4	277149-2	
19.8 GRAMS	5.00±0.08 [.197±.003]	#10	277149-1	

THIS DRAWING IS A CONTROLLED DOCUMENT.

DWN	DK SCHRUM	6/23/89
CHK	MS FEHER	10/16/90
APVD	WJ VOCKROTH	10/16/90
PRODUCT SPEC	108-11011	
APPLICATION SPEC	114-2134	
WEIGHT	SEE TABLE	A2 00779 C=277149
CUSTOMER DRAWING	SCALE 4:1	SHEET 1 of 1

TE Connectivity
 WIRE TERMINAL, COPALUM
 SEALED, RING TONGUE,
 WIRE SIZE [4] AL OR [6] COPPER

单击下面可查看定价，库存，交付和生命周期等信息

[>>TE Connectivity\(泰科\)](#)