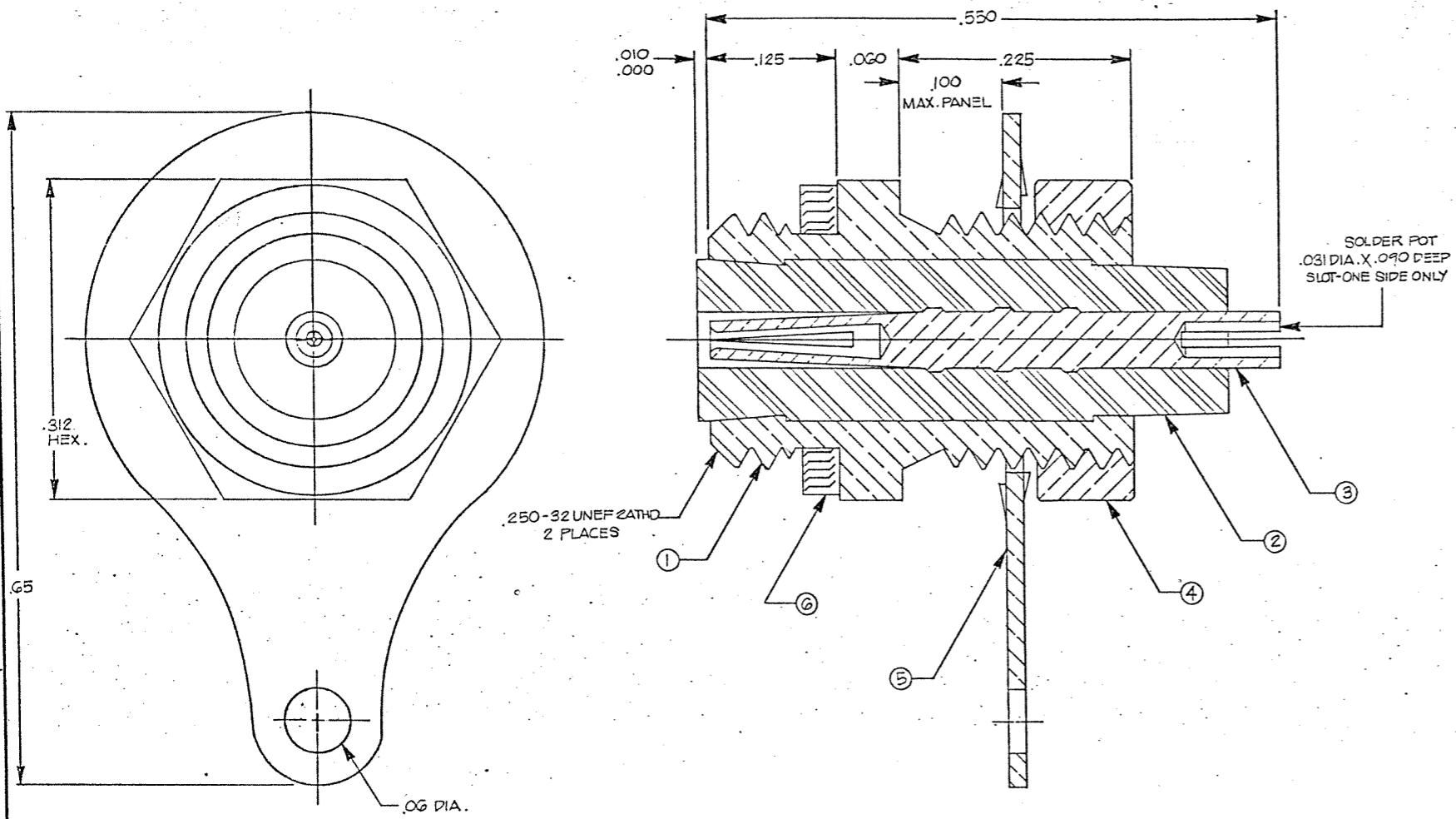


REVISIONS					
ZONE	LTR	ECN	DESCRIPTION	DATE	APPROVED
	M	26271	REVISED & REDRAWN ORIGINAL RELEASE BY M.F.M. (10-10-83)	12-10-81	<i>[Signature]</i>
	N	28910	ITEM 5 MAT'L WAS: P/ BRONZE, QQ-B-750	8/31/84	<i>[Signature]</i>
	P	39610	UPDATE REV. LETTER.	11/11/86	<i>[Signature]</i>
	R	39879	GASKET MAT'L WAS: NEOPRENE.	11-2-87	<i>[Signature]</i>



Tyco Dwg 1467949  
Micro P/N 031-0016-0001

- NOTES: (UNLESS OTHERWISE SPECIFIED)
- THIS CONNECTOR MATES WITH ALL PLUGS IN S-93 SERIES (93 OHM) AS LISTED IN MALCO CATALOG.
  - GOLD PLATE PER MIL-G-45204, TYPE II, GRADE C, CLASS I.
  - SILVER PLATE PER QQ-S-365, TYPE II, GRADE A, .0002 MIN.

FINISH	PART OR IDENTIFYING NO.	NOMENCLATURE OR DESCRIPTION	MATERIALS	ITEM
	003-0269-0000	GASKET	SILICONE PER ZZ-R-765	6
③	003-0305-0001	SHAKEPROOF LUG	#425 BRONZE ALLOY	5
③	003-0068-0001	HEX NUT	BRASS QQ-B-626	4
②	003-0067-0002	CONTACT SOCKET	BERYLLIUM COPPER, QQ-C-330	3
	003-0071-0001	INSULATOR	TEFLON L-P-403	2
③	003-0069-0001	HOUSING	BRASS QQ-B-626	1

UNLESS OTHERWISE SPECIFIED DIMENSIONS ARE IN INCHES TOLERANCES ARE: FRACTIONS DECIMALS ANGLES ± .XX ± .02 ± .XXX ± .010		CONTRACT NO.		<b>MALCO</b> A MICRODOT COMPANY, INC. 220 PASADENA AVE., SO. PASADENA, CALIF. 91030	
MATERIAL		APPROVALS		DATE	
NOTED		DRAWN L. MATEO		12-7-81	
FINISH		CHECKED <i>[Signature]</i>		12/10/81	
NOTED		PR. ENG. <i>[Signature]</i>		12/11/81	
APPD.		APPD.			
NEXT ASSY		USED ON		SIZE <b>C</b> CODE IDENT NO. <b>98278</b> DRAWING NO. <b>031-0016-0001</b>	
APPLICATION		DO NOT SCALE DRAWING		SCALE 10X SHEET 1 OF 1	

单击下面可查看定价，库存，交付和生命周期等信息

[>>TE Connectivity\(泰科\)](#)