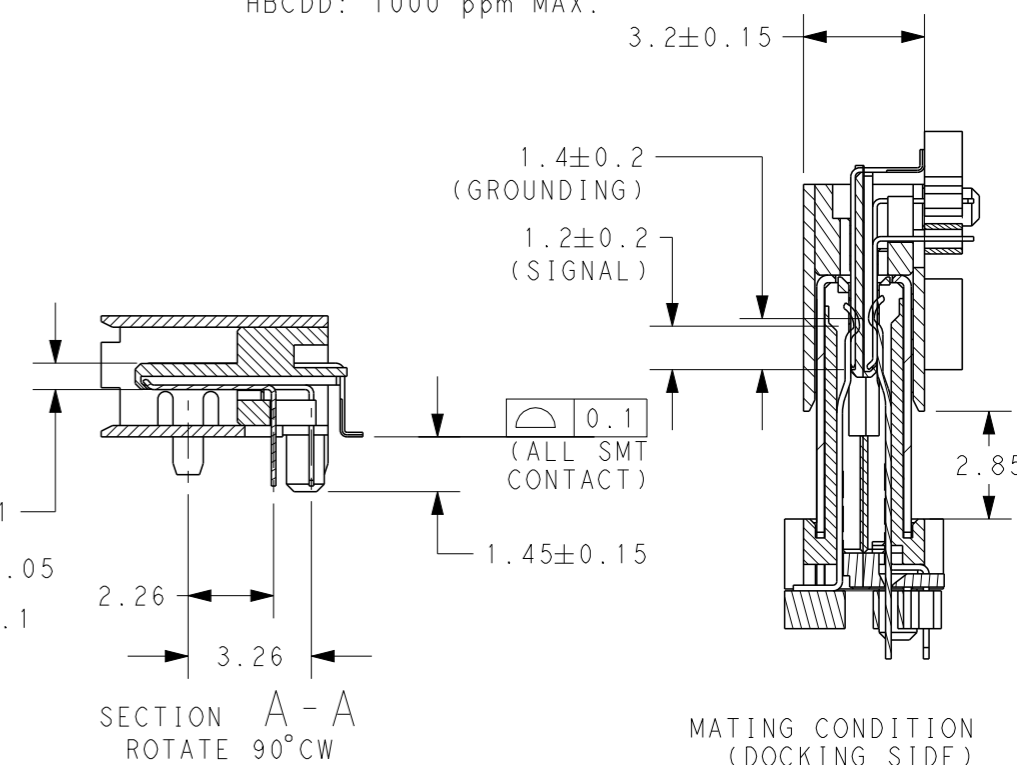
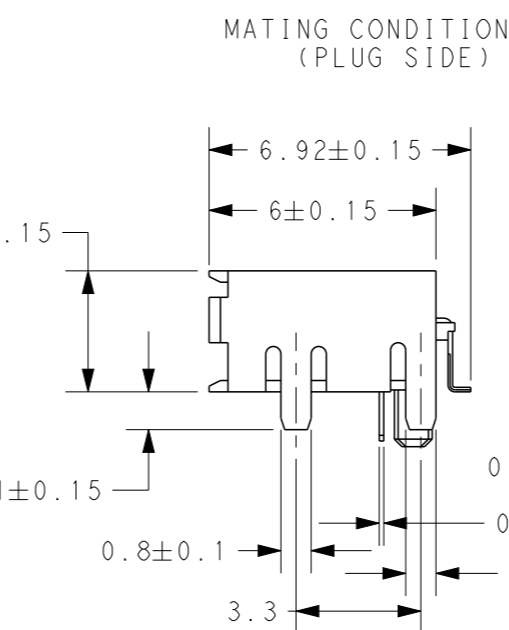
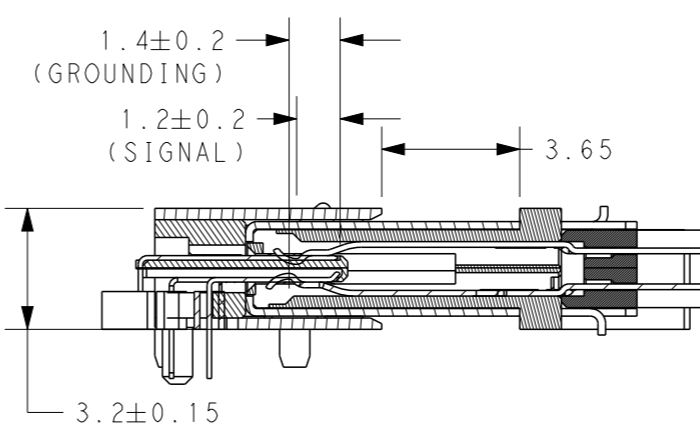
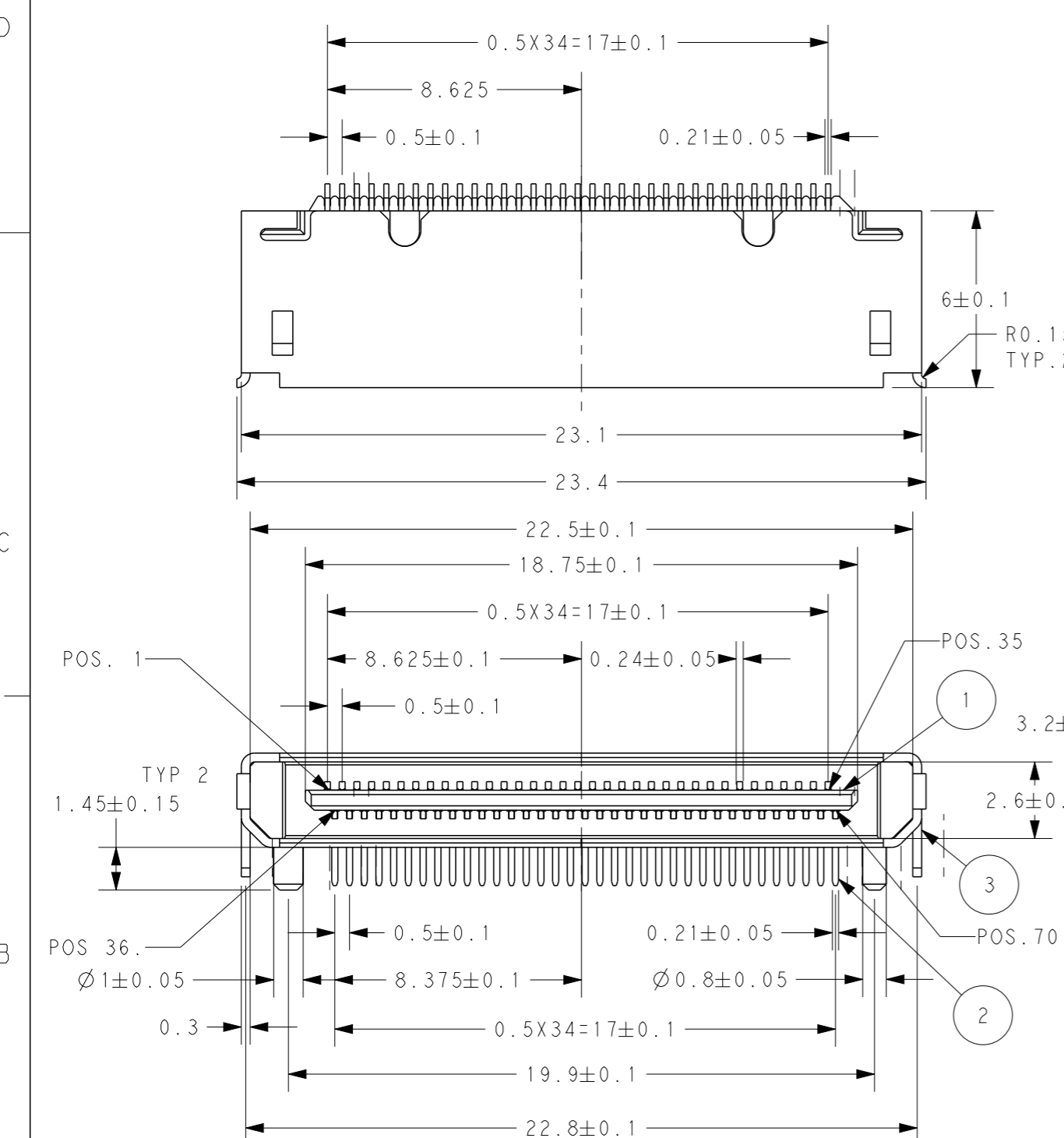



P	LTR	DESCRIPTION	DATE	DWN	APVD
A3		REVISED(ECR-13-010163)	24JUN13	P.H	H.K

2129390-2: AS SHOWN



- MATERIAL:
 - ① HOUSING: LCP(UL94V-0, BLACK).
 - ② CONTACT: BRASS
 - ③ SHELL: STAINLESS STEEL SUS304 ,THICKNESS 0.3mm
- FINISH:
 - CONTACT: OVERALL 2um MIN. NICKEL PLATING, 0.38um MIN. AU PLATING ON CONTACT AREA, 0.1um MIN. MATTE TIN PLATING ON TINE AREA
 - SHELL: 2um MIN. NICKEL PLATING OVERALL
- PRODUCT MUST MEET CONTROLLED SUBSTANCES PER TE SPEC: TEC-138-702
 - SPECIAL REQUEST OF LOW HALOGEN SPEC: CHLORINE (Cl): 900ppm MAX., BROMINE (Br): 900ppm MAX.
 - SPECIAL REQUEST OF REACH SvHC SPEC ON NON-MATAL MATERIAL: DBP: 1000 ppm MAX., DEHP: 1000 ppm MAX., BBP: 1000 ppm MAX., HBCDD: 1000 ppm MAX.

INFORMATION IS TE CONFIDENTIAL & PROPRIETARY

THIS DRAWING IS A CONTROLLED DOCUMENT.		DWN W. CHEN 13AUG2012	 TE Connectivity	NAME HEADER ASSEMBLY 0.5CL 70POS. DOCKING CONNECTOR
DIMENSIONS: mm		CHK W. CHEN 13AUG2012		
TOLERANCES UNLESS OTHERWISE SPECIFIED:		APVD H. KODAMA 13AUG2012		
0 PLC ±0.25 1 PLC ±0.25 2 PLC ±0.25 3 PLC ±0.25 4 PLC ±0.25 ANGLES ±5°		PRODUCT SPEC 108-99038		
MATERIAL		APPLICATION SPEC	SIZE A3	CAGE CODE 00779
		FINISH	DRAWING NO C-2129390	RESTRICTED TO
		WEIGHT	SCALE 2:1	SHEET 1 OF 4
		CUSTOMER DRAWING	REV A3	

THIS DRAWING IS UNPUBLISHED.

RELEASED FOR PUBLICATION

2011

© COPYRIGHT 2011

Tyco Electronics AMP GmbH

ALL RIGHTS RESERVED.

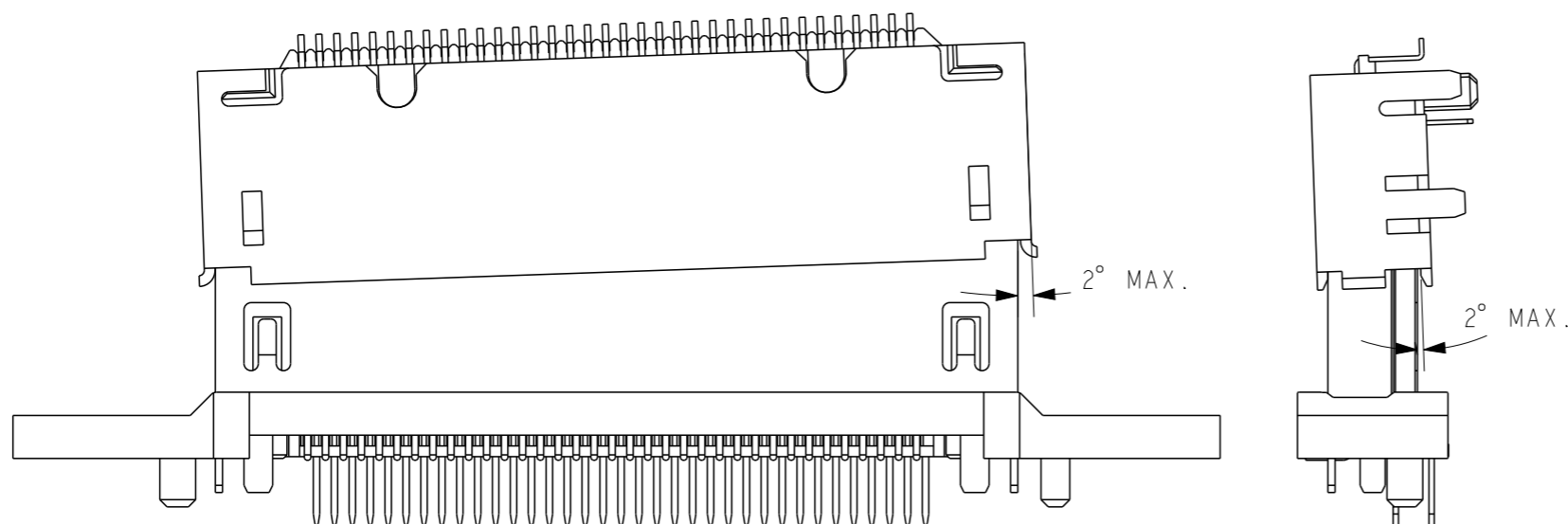
LOC
DW

DIST

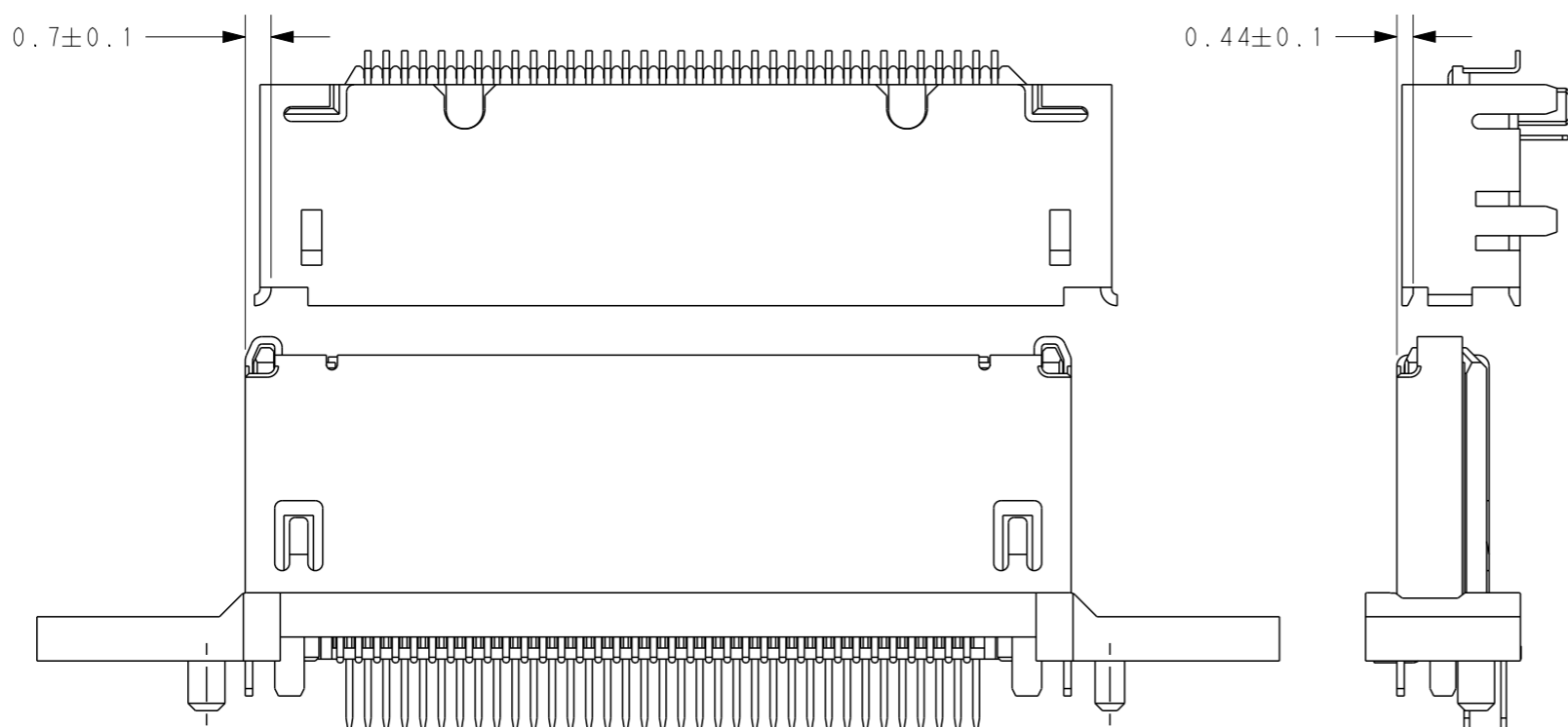
REVISIONS

P	LTR	DESCRIPTION	DATE	DWN	APVD
-	-	SEE SHEET 1	-	-	-

CONNECTOR CAN BE ROTATED ANGLE



CONNECTOR CAN BE SHIFT DIMENSION



INFORMATION IS TE CONFIDENTIAL & PROPRIETARY

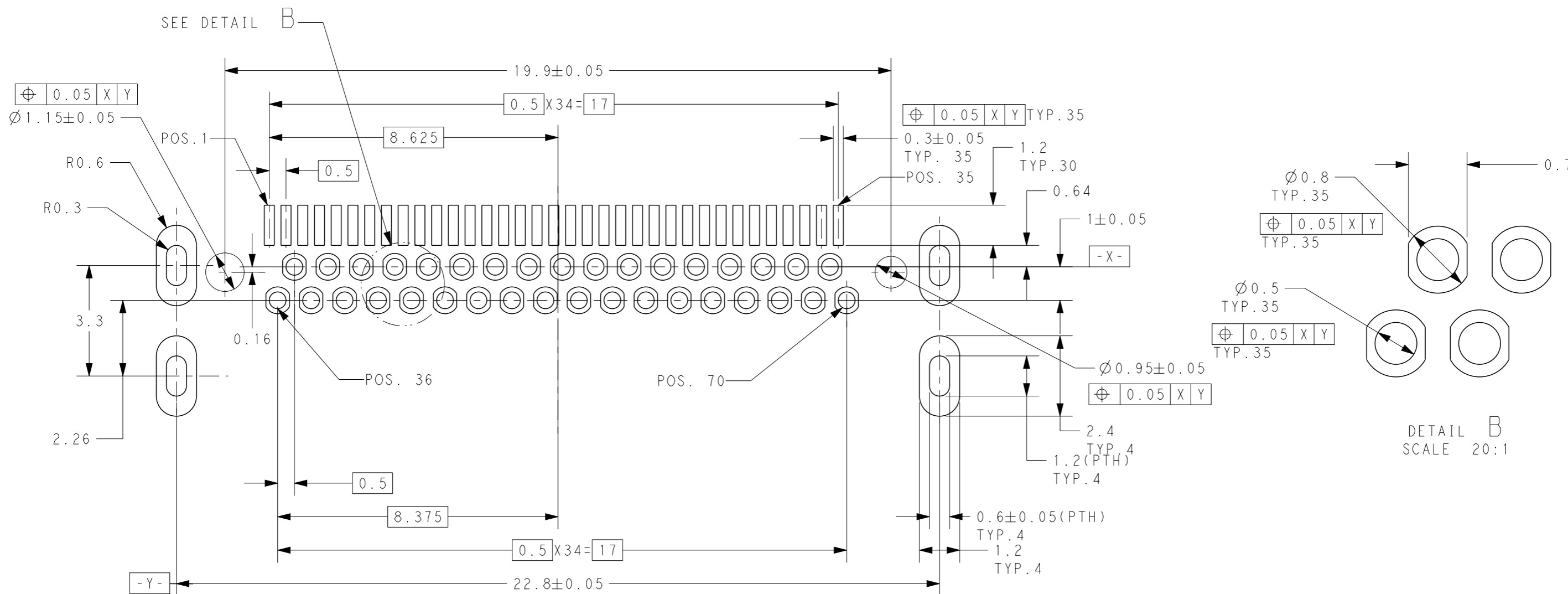
THIS DRAWING IS A CONTROLLED DOCUMENT.

DIMENSIONS: mm	TOLERANCES UNLESS OTHERWISE SPECIFIED:
	0 PLC ±0.25
	1 PLC ±0.25
	2 PLC ±0.25
	3 PLC ±0.25
MATERIAL	4 PLC ±0.25
	ANGLES ±1°
	FINISH

DWN	-
CHK	-
APVD	-
PRODUCT SPEC	-
APPLICATION SPEC	-
WEIGHT	-
CUSTOMER DRAWING	-


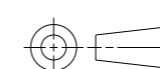
		NAME		RESTRICTED TO
		HEADER ASSEMBLY 0.5CL 70POS. DOCKING CONNECTOR		
SIZE	CAGE CODE	DRAWING NO		
A3	00779	G-2129390		
SCALE		SHEET	OF	REV
2:1		2	4	A3

P	LTR	DESCRIPTION	DATE	DWN	APVD
-	-	SEE SHEET 1	-	-	-



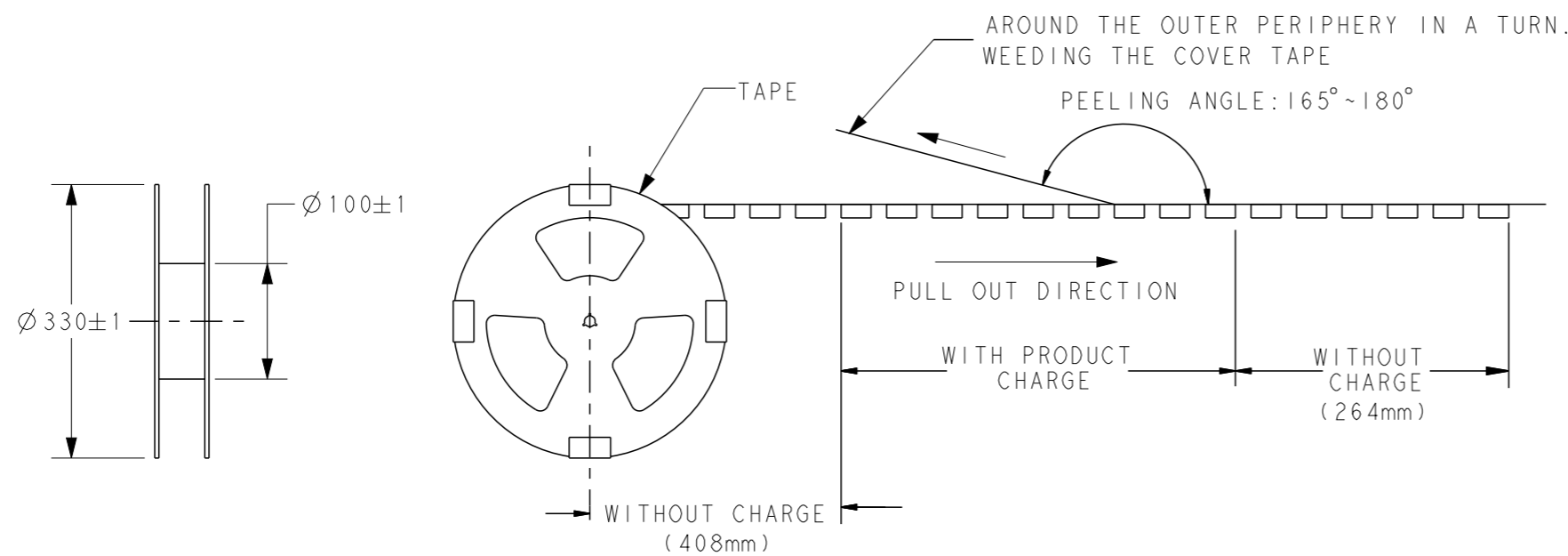
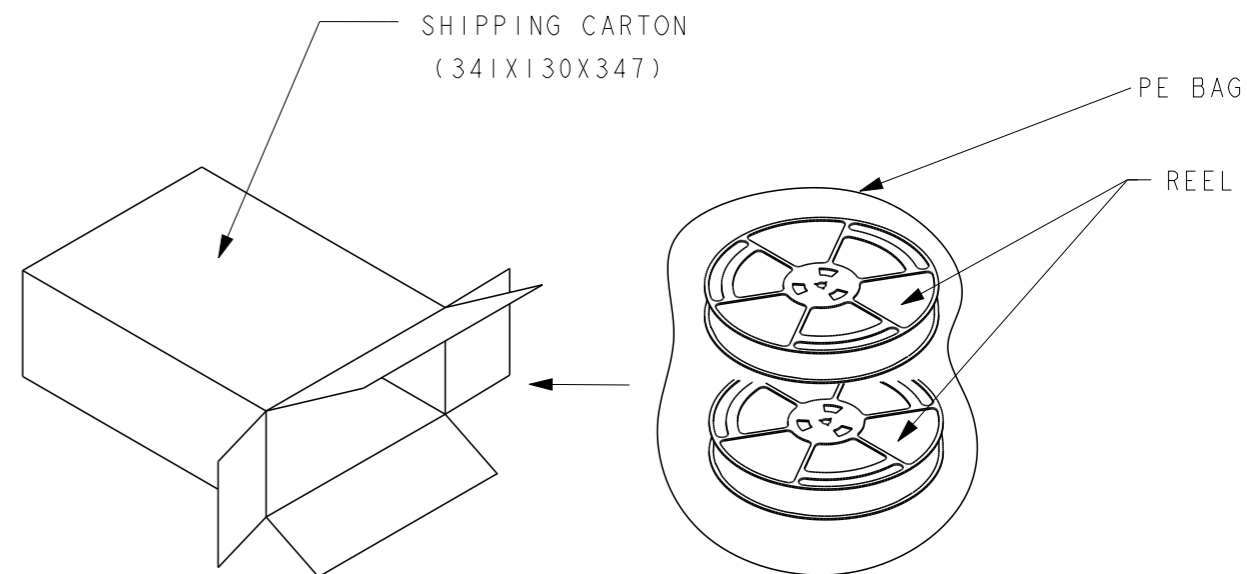
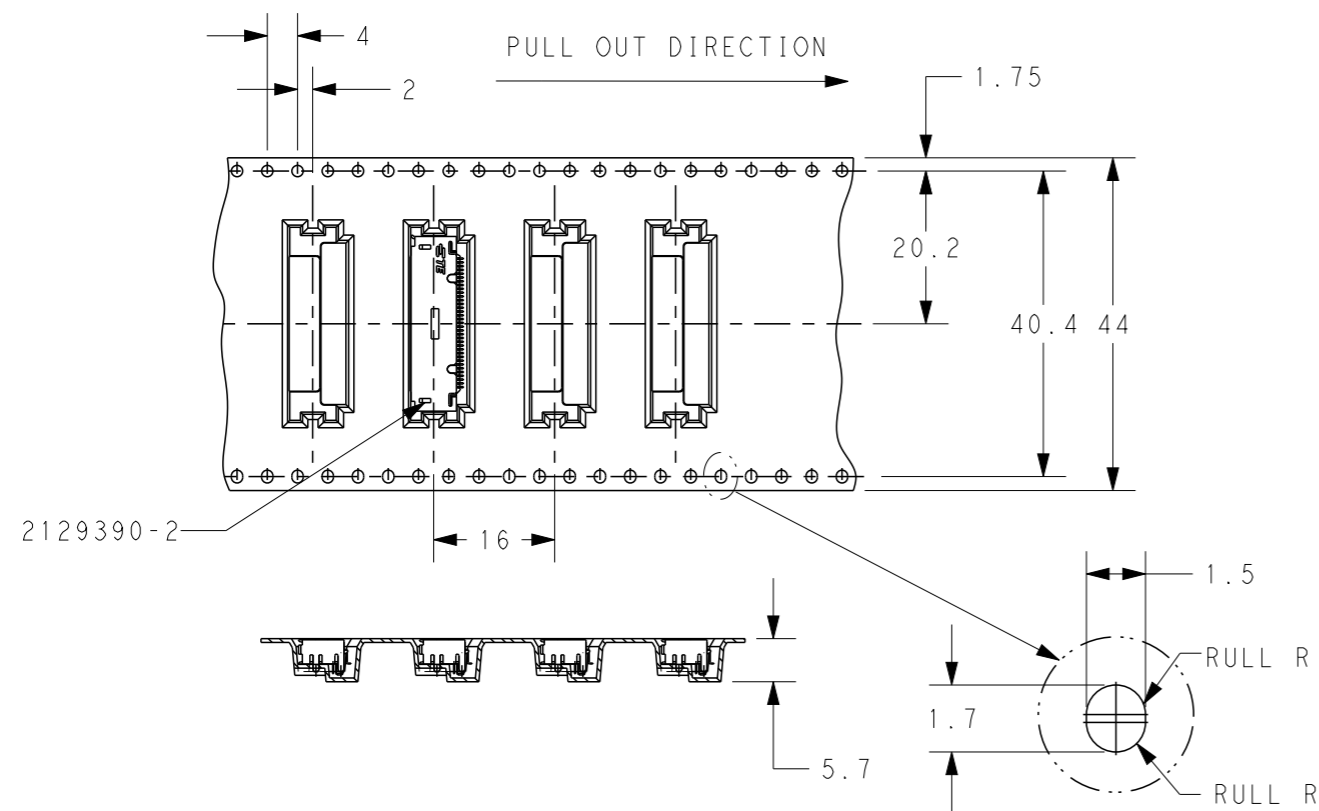
RECOMMEND PCB LAYOUT
SCALE 8:1 (GENERAL TOLERANCE: ±0.1)

INFORMATION IS TE CONFIDENTIAL & PROPRIETARY

THIS DRAWING IS A CONTROLLED DOCUMENT.		DWN	 TE Connectivity			
DIMENSIONS: mm		CHK				
		APVD				
TOLERANCES UNLESS OTHERWISE SPECIFIED:		PRODUCT SPEC				
0 PLC ±0.25 1 PLC ±0.25 2 PLC ±0.25 3 PLC ±0.25 4 PLC ±0.25 ANGLES ±5°		APPLICATION SPEC	NAME HEADER ASSEMBLY 0.5CL 70POS. DOCKING CONNECTOR			
MATERIAL		WEIGHT	SIZE	CAGE CODE	DRAWING NO	RESTRICTED TO
FINISH		CUSTOMER DRAWING	A3	00779	G-2129390	-
		SCALE	SHEET		OF	REV
		2:1	3		4	A3

THIS DRAWING IS UNPUBLISHED. RELEASED FOR PUBLICATION 20
© COPYRIGHT 20 BY - ALL RIGHTS RESERVED.

LOC	DIST	REVISIONS			
P	LTR	DESCRIPTION	DATE	DWN	APVD
DW	-	SEE SHEET 1	-	-	-



- 4. PACKING MATERIAL:
CARRY TAPE: PS; COLOR: CLEAR.
COVER TAPE: PET; COLOR: SMOKE.
- 5. PEELING STRENGTH OF COVER TAPE: 0.2N~1.2N

2129390-1	600	2	1200
P/N	PCS/TAPE	REELS/CARTON	TOTAL QUANTITY

INFORMATION IS TE CONFIDENTIAL & PROPRIETARY

THIS DRAWING IS A CONTROLLED DOCUMENT.

DIMENSIONS:	TOLERANCES UNLESS OTHERWISE SPECIFIED:
mm	
	0 PLC ± 0.25
	1 PLC ± 0.25
	2 PLC ± 0.25
	3 PLC ± 0.25
	4 PLC ± 0.25
	ANGLES ± 5°
MATERIAL	FINISH

DWN	-
CHK	-
APVD	-
PRODUCT SPEC	-
APPLICATION SPEC	-
WEIGHT	-
CUSTOMER DRAWING	-

STE TE Connectivity

NAME: HEADER ASSEMBLY
0.5CL 70POS. DOCKING CONNECTOR

SIZE	CAGE CODE	DRAWING NO	RESTRICTED TO
A3	00779	2129390	-

SCALE: 2:1 SHEET: 4 OF 4 REV: A3

单击下面可查看定价，库存，交付和生命周期等信息

[>>TE Connectivity\(泰科\)](#)