

THIS DRAWING IS UNPUBLISHED. RELEASED FOR PUBLICATION .19
 © COPYRIGHT 19 BY AMP INCORPORATED. ALL RIGHTS RESERVED.

LOC	DIST	REVISIONS			
P	LTR	DESCRIPTION	DATE	DWN	APVD
DY	-	0	NPR ECR-05-005111	21JUN05	LWY SYJ

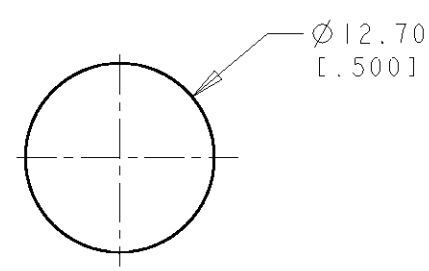
NOTES:

1 SHELLS: BRASS
 CONTACTS: PHOSPHOR BRONZE
 HOUSING: POLYESTER, UL 94V-0 RATED, BLACK

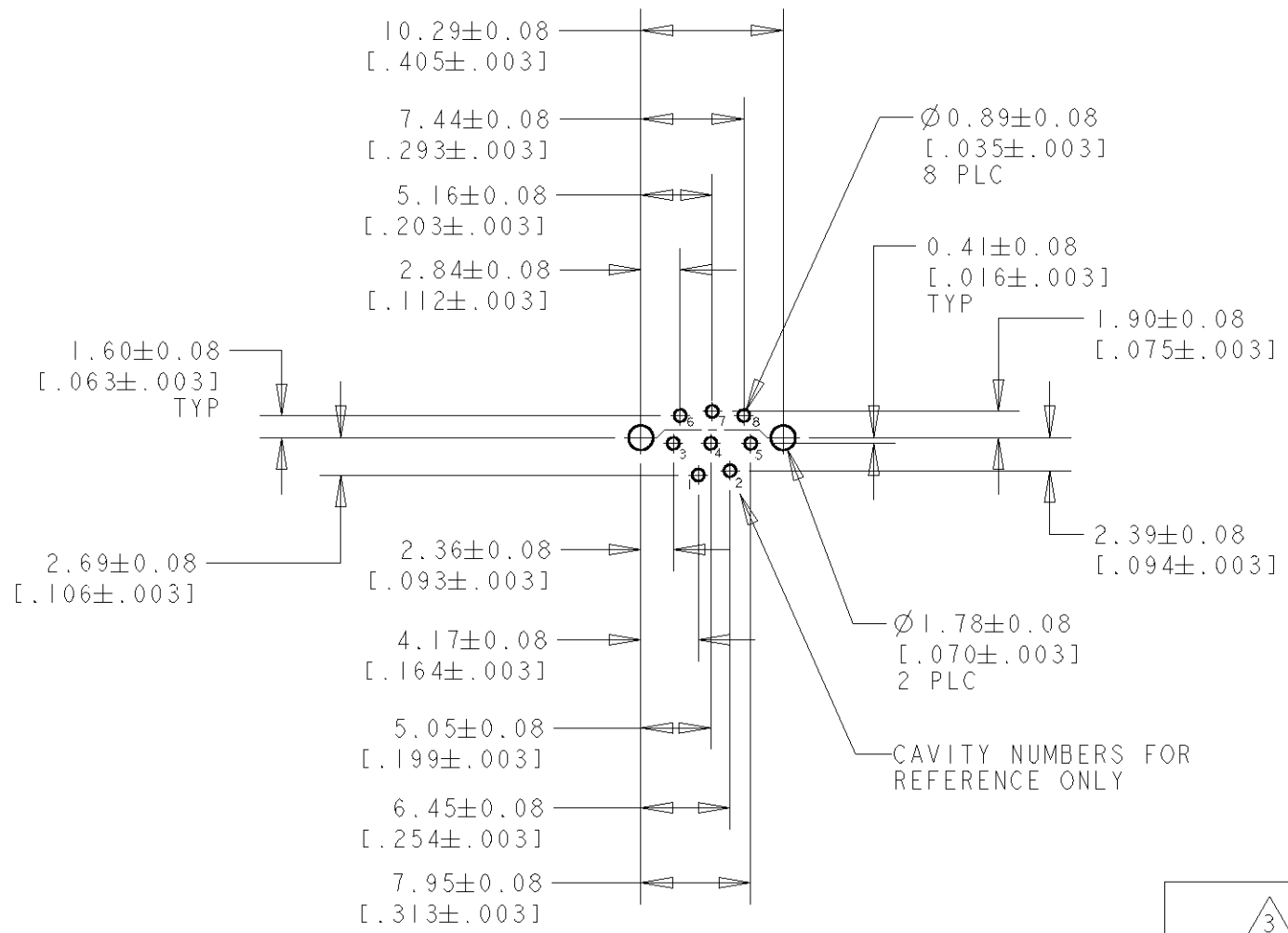
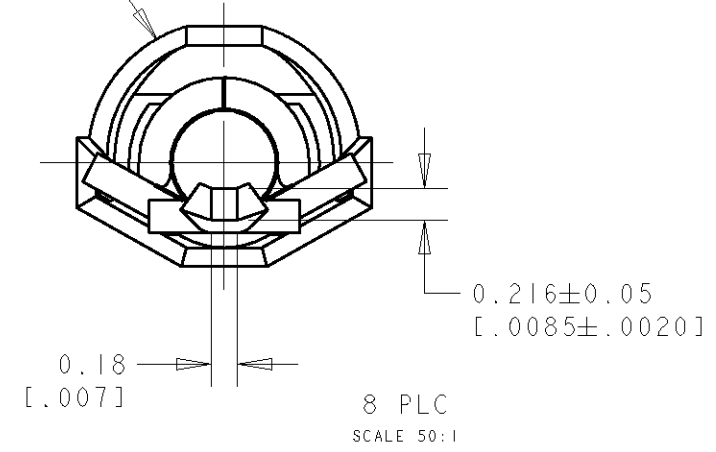
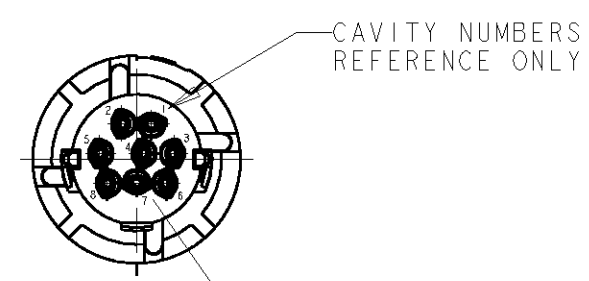
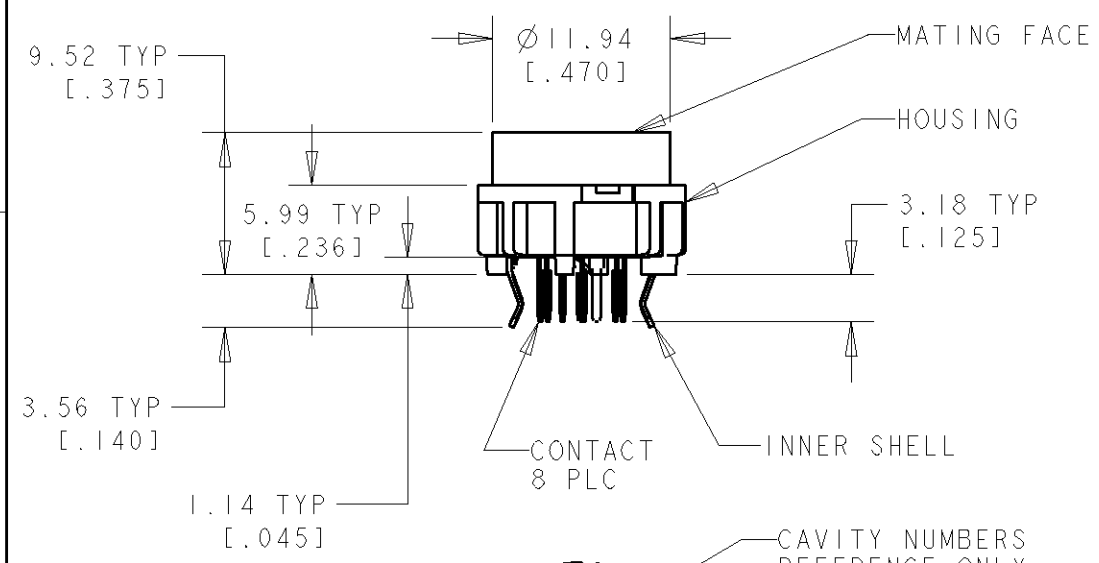
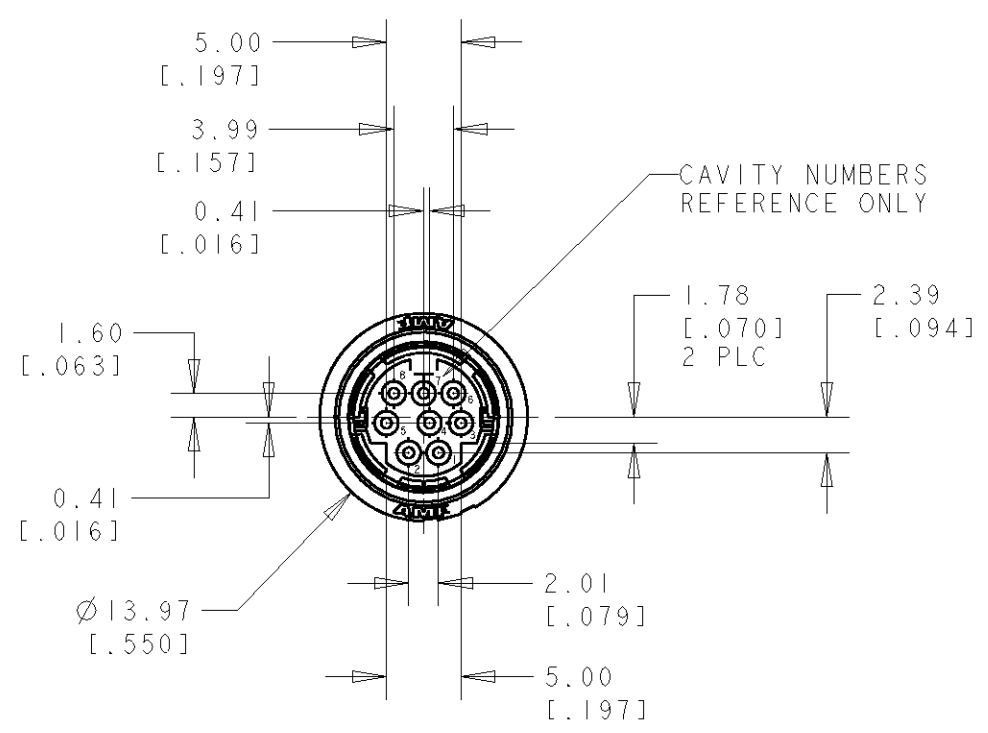
2 0.76um [.000030] MIN GOLD ON MATING END FOR A LENGTH OF 1.37 [.054] MIN ON INSIDE, 2.54um [.000100] MIN TIN FOR A LENGTH OF 3.30um [.130] MIN FROM OPPOSITE END, ALL OVER 1.27um [.000050] MIN NICKEL.

3 2.54um [.000100] MIN TIN OVER 1.27um [.000050] MIN COPPER

4 RECEPTACLE ASSEMBLY MATES WITH 8 PIN, Ø8.99±0.10 [.354±.004] PLUG.



RECOMMENDED PANEL CUT-OUT



RECOMMENDED PC BOARD LAYOUT
 BOTTOM VIEW

3	2	5750337-2
INNER SHELL FINISH	CONTACT FINISH	PART NO.

THIS DRAWING IS A CONTROLLED DOCUMENT FOR AMP INCORPORATED. IT IS SUBJECT TO CHANGE AND THE CONTROLLING ENGINEERING ORGANIZATION SHOULD BE CONTACTED FOR THE LATEST REVISION.		DWN WYLEE 21JUN2005	tyco Tyco Electronics Singapore Pte. Ltd.	
DIMENSIONS: mm [INCHES]		CHK YJ SEE	NAME RECEPTACLE ASSEMBLY, 8 POSN, LOW FLANGE, UNSHIELDED, VERTICAL, MINIATURE CIRCULAR DIN, LF	
TOLERANCES UNLESS OTHERWISE SPECIFIED:		APVD SF LEONG	SIZE A3 CAGE CODE 00779 DRAWING NO 5750337	
0 PLC ± -		PRODUCT SPEC -	SCALE 10:1 SHEET 1 OF 1 REV 0	
1 PLC ± -		APPLICATION SPEC -	CUSTOMER DRAWING	
2 PLC ± 0.13 [.005]		WEIGHT -		
3 PLC ± -				
4 PLC ± -				
ANGLES ± -				
MATERIAL	FINISH SEE TABLE			

单击下面可查看定价，库存，交付和生命周期等信息

[>>TE Connectivity\(泰科\)](#)