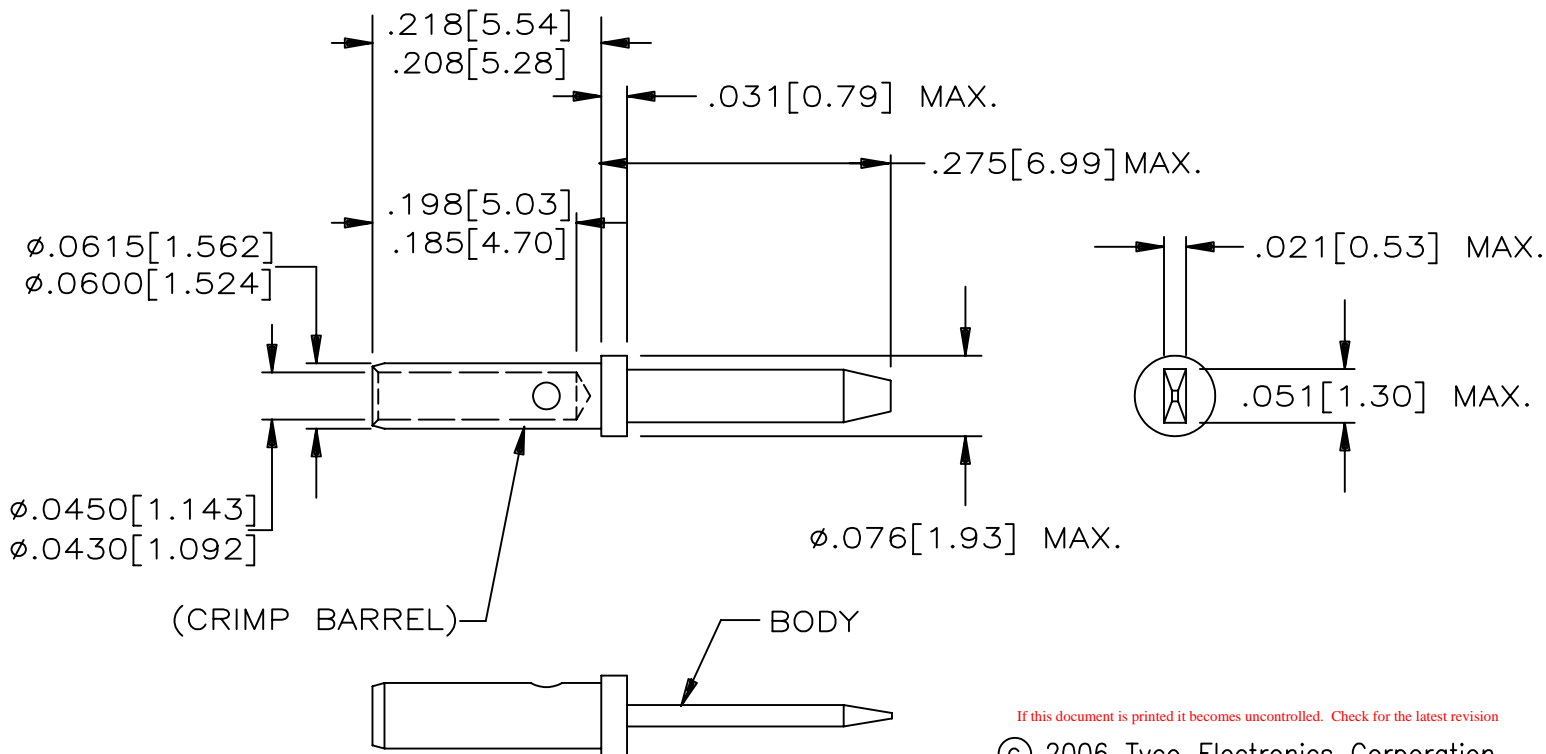


REVISION			
REV	DESCRIPTION	DATE	APPROVED
C	REVISED PER DCR# T-32207	NOV/20/03	M.HIGGY
D	REDRAWN, REVISE PER DCR# C060662	AUG/10/06	M.HIGGY

NOTE:

- THIS CONTACT IS DESIGNED TO MEET THE APPLICABLE REQUIREMENTS OF RAYCHEM SPECIFICATION C-6114 AND C-6115.
- MATERIAL:  
BODY: COPPER ALLOY CDA C19160 (BOILLAT C97), TESTED PER ASTM B 249.
- FINISH:  
BODY: GOLD PLATE PER ASTM B 488, CLASS 1
- CRIMP TOOL RECOMMENDATION:  
A: TOOL NUMBER M22520/2-01  
B: POSITIONER NUMBER CTA-0148 (DANIELS #K817)
- THIS CONTACT MATES WITH TYCO SOCKET CONTACT NUMBER CTA-0094
- CRIMP BARREL DESIGNED TO ACCOMMODATE A WIRE RANGE OF AWG 20-24
- CONFIGURATION CONTROL ES 71001 APPLIES.
- THESE CONTACTS ARE USED IN TYCO INSERTS MTC100-YC1-001, MTC100-YC1-002 AND MTC100-YC1-005. SEE DRAWING D-659-0097 FOR INSERT CONFIGURATION.
- RECOMMENDED WIRE STRIP LENGTH: 0.195-0.215 [4.95-5.46].



If this document is printed it becomes uncontrolled. Check for the latest revision

© 2006 Tyco Electronics Corporation.  
All rights reserved

SPECIFICATION CONTROL DRAWING

ITEM	QTY.	PART NO	DWG OR SPEC NO	DESCRIPTION	
PARTS LIST					
UNLESS OTHERWISE SPECIFIED DIMENSIONS ARE INCHES. METRIC DIMENSIONS ARE IN BRACKETS.		DRAWN <b>ZS.ORBAN</b> DATE Aug/4/06		TYCO ELECTRONICS 300 Constitution Drive Menlo Park, CA. 94025 USA	
DECIMAL TOLERANCES .XXX ± [ mm] .XX ± [ mm] .X ± [ mm]		APPROVED <b>M.HIGGY</b> DATE Aug/4/06			
ANGLE TOLERANCE .X ±		MATERIAL	CONTACT. PIN. CRIMP. SIZE 22-20 MTC100 SERIES		
WEIGHT 0.092 Gram Max.		FINISH			
CAD FILE C060662.DWG		THIRD ANGLE PROJECTION 	SIZE A	CAGE CODE: 06090	DWG. NO. CTA-0093
			THIS DRAWING	SHEET 1 OF 1	

单击下面可查看定价，库存，交付和生命周期等信息

[>>TE Connectivity\(泰科\)](#)