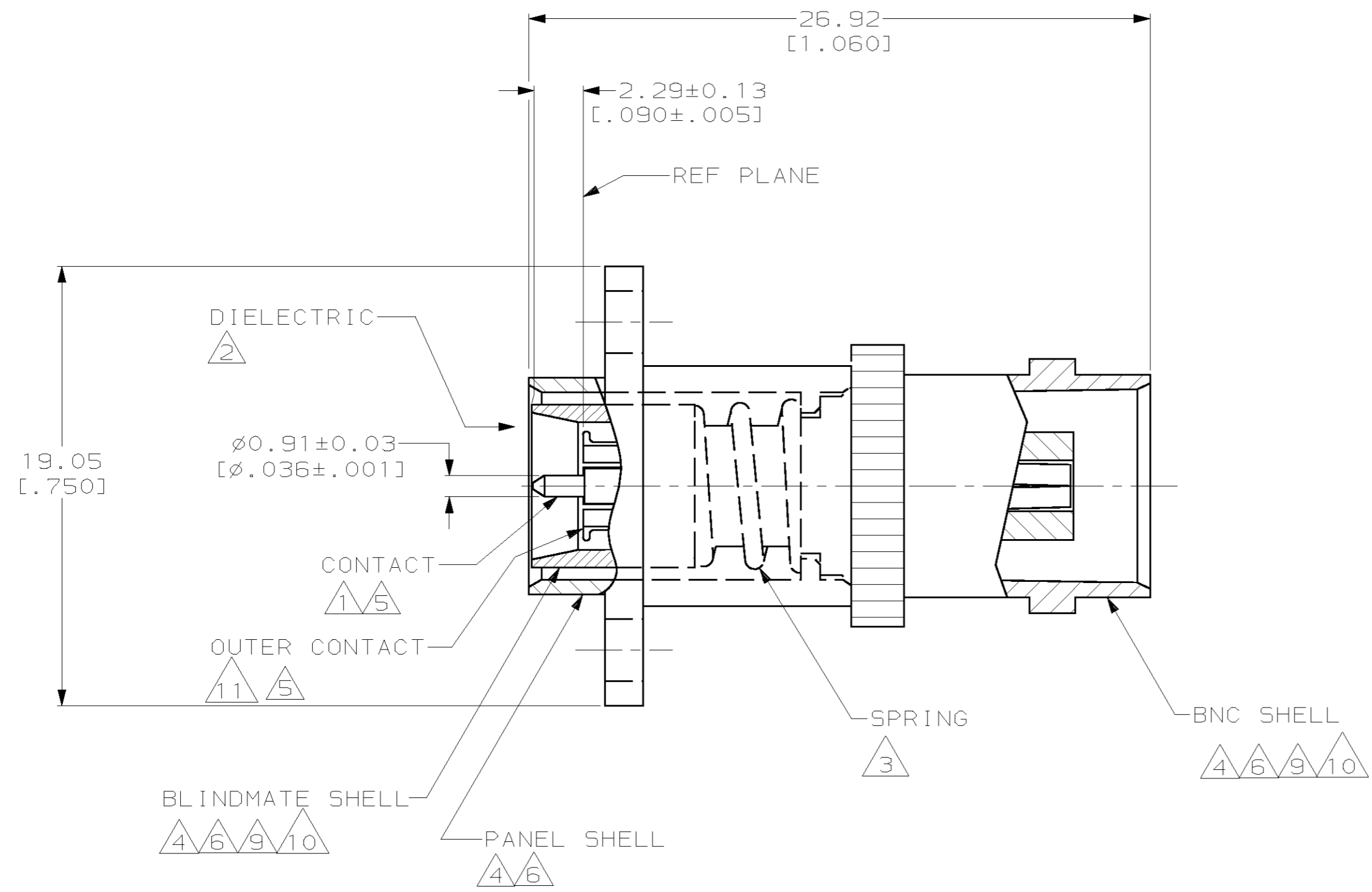
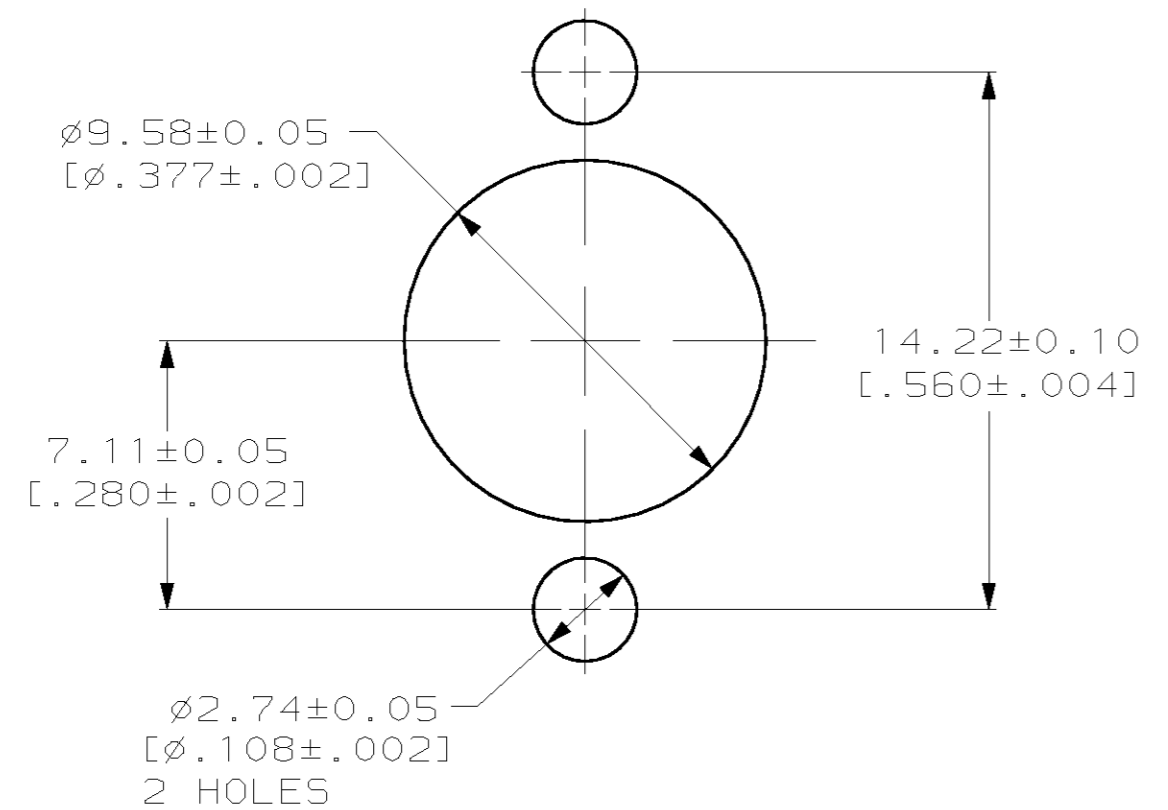


LOC	DIST	REVISIONS					
		P	LTR	DESCRIPTION	DATE	DWN	APVD
AJ	16	B		REV PER ECN 0514-0177-02	25OCT02	GV	JH



- 1 BERYLLIUM COPPER PER ASTM-B-196
- 2 PTFE PER ASTM-D-1710
- 3 STEEL WIRE PER QQ-W-470
- 4 BRASS PER ASTM-B-16
- 5 GOLD PL PER MIL-G-45204
- 6 NICKEL PL PER QQ-N-290
- 7 .190 MAX PANEL THICKNESS
- 8 .060 MAX FLOAT PERMITTED DUE TO INTERNAL SPRING
- 9 STAINLESS STEEL PER ASTM-A-582.
- 10 PASSIVATED PER QQ-P-35.
- 11 BOILLAT B05 PER UNS 53800



RECOMMENDED MOUNTING HOLES

9	10	448435-2
4	6	448435-1
SHELL MATERIAL/FINISH		PART NUMBER

THIS DRAWING IS A CONTROLLED DOCUMENT.		DWN M. O'BRINE 31MAY00	AMP Incorporated Harrisburg, PA 17105-3608	
DIMENSIONS: mm [INCHES]		CHK J. HAVENER 31MAY00	NAME ADAPTER, PLUG, FLOATING, 3.5mm BLIND MATE TO JACK, BNC	
TOLERANCES UNLESS OTHERWISE SPECIFIED:		APVD J. HAVENER 31MAY00	PRODUCT SPEC -	
0 PLC ±-		APPLICATION SPEC -		
1 PLC ±-		WEIGHT -		
2 PLC ±-		SCALE 5:1		
3 PLC ±0.20 [.008]		SHEET 1 OF 1		
4 PLC ±-		REV B		
ANGLES ±-		RESTRICTED TO -		
FINISH -		MATERIAL THRU 4, 9, 11		
FINISH -		FINISH 6, 10		
MATERIAL THRU 4, 9, 11		CUSTOMER DRAWING		

单击下面可查看定价，库存，交付和生命周期等信息

[>>TE Connectivity\(泰科\)](#)